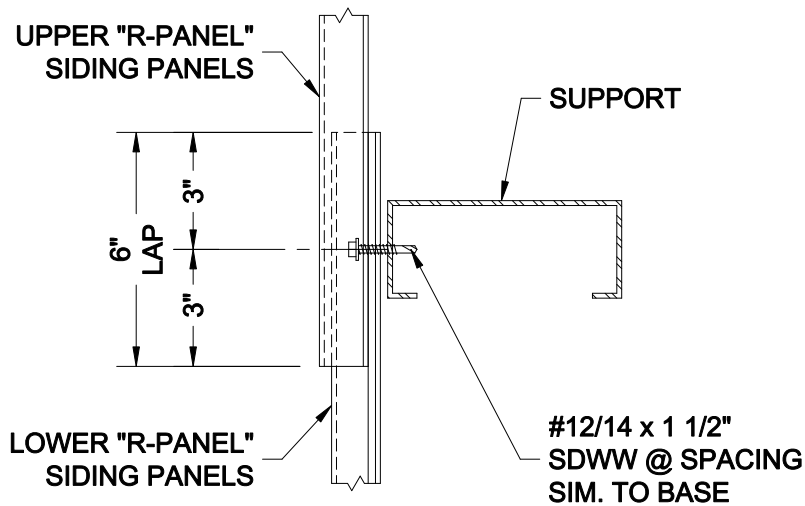


## ROOF PANEL END LAP DETAIL



## SIDING PANEL END LAP DETAIL

**NOTES:**

1. 3/32" x 1/2" SEALER TAPE "ST1" TO BE USED @ END LAPS OF ALL ROOF PANELS REGARDLESS OF ROOF PITCH.
2. ROOF PANEL END LAPS SHOULD BE STAGGERED WHEN POSSIBLE.



BOX 515 RAILROAD STREET  
 SANDY LAKE, PENNSYLVANIA 16145-0515  
 PHONE: 800-245-0396 ° FAX: 724-376-3864

"R-Panel" Standard  
 Details

Roof & Siding End Lap  
 Details

DRAWN BY: D. UREY

DATE: 10-25-02

DRAWING NO.

CHECKED BY:

DATE:

R-Panel-12