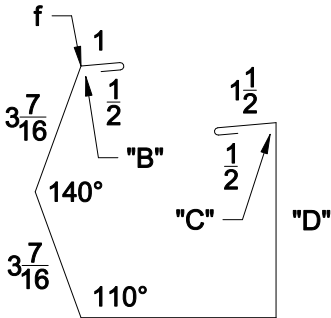
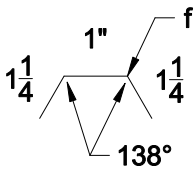


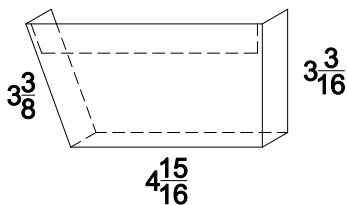
"LE3" EAVE TRIM



"GU1" GUTTER

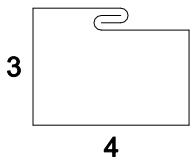


"GB3R" GUTTER BARS



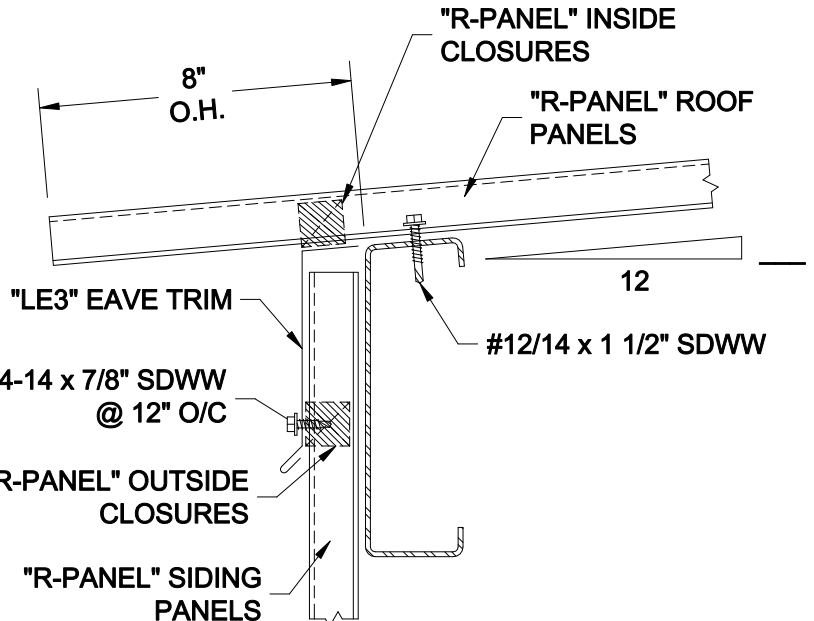
"GU1EC(R&L)" END CAPS

"GU1ECR" ~ AS SHOWN
"GU1ECL" ~ OPP. HAND

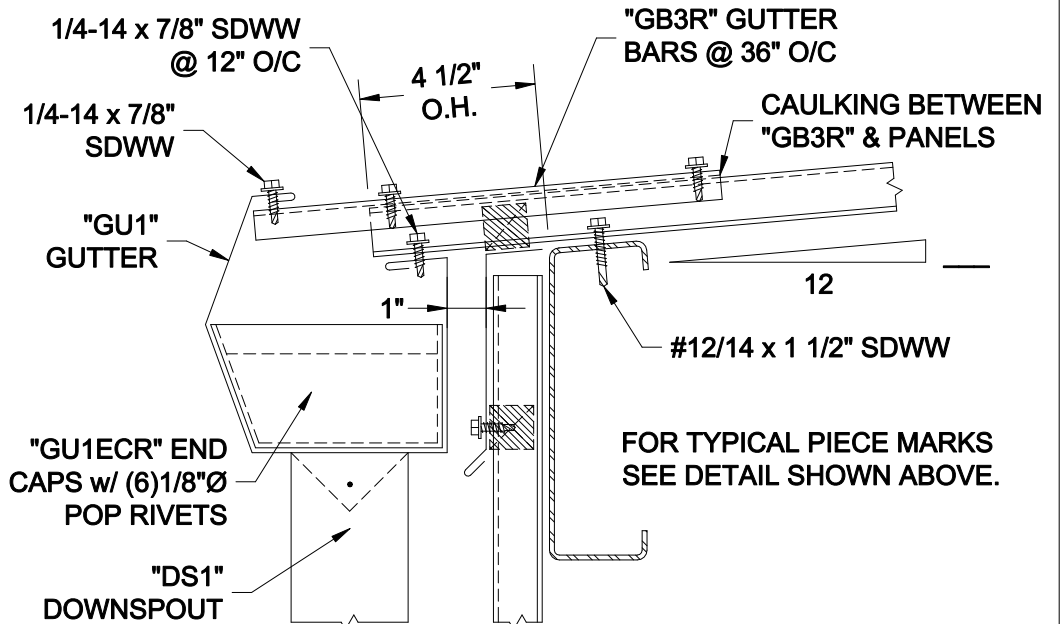


"DS1" DOWNSPOUTS

PITCH	"A" DIM.	"B" DIM.	"C" DIM.	"D" DIM.
1:12	95°	115°	85°	5 9/16
2:12	100°	120°	80°	5 15/16
3:12	104°	124°	76°	6 3/8
4:12	109°	129°	71°	6 3/4
5:12	113°	133°	67°	7 1/8



EAVE w/ TRIM



EAVE w/ TRIM & GUTTER

NOTES:

- GUTTER TO BE CAULKED & LAPPED 4" MIN. AND POP RIVETED TOGETHER USING (8) 1/8" Ø POP RIVETS.
- FIELD LOCATE AND MARK DOWNSPOUT LOCATION IN BOTTOM OF GUTTER. DRAW LINE FROM CORNER TO CORNER AND CUT ALONG LINE. BEND TABS DOWN AND POP RIVET INSIDE DOWNSPOUT.
- USE THE CHART TO THE LEFT FOR DIMENSION VALUES FOR YOUR PARTICULAR ROOF PITCH.
- GUTTER SIZE AND GUTTER BAR SPACING MUST BE ADJUSTED TO SUIT LOCAL WEATHER PECULIARITIES AND/OR TO ACCOMMODATE LONG ROOF SLOPES.



BOX 515 RAILROAD STREET
SANDY LAKE, PENNSYLVANIA 16145-0515
PHONE: 800-245-0396 ° FAX: 724-376-3864

"R-Panel" Standard
Details

Eave Details

DRAWN BY: D.UREY

DATE: 10-25-02

DRAWING NO.

REVISED BY: D.UREY

DATE: 7-15-15

R-Panel-5