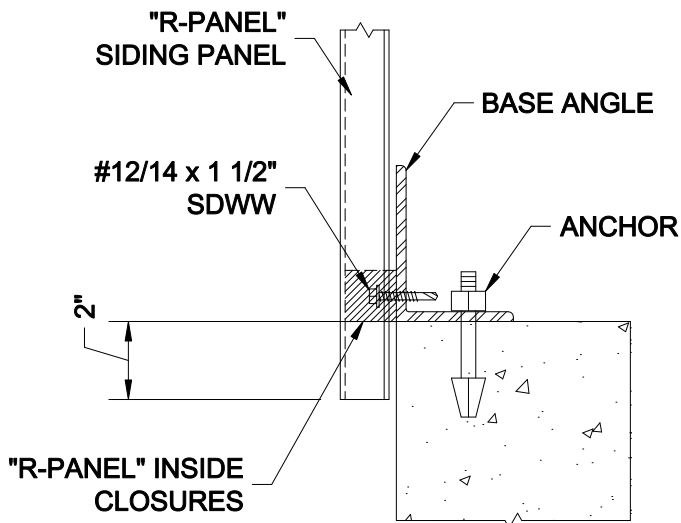
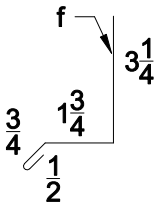


CURB w/ TRIM



CURB w/ CLOSURE



"BD5" BASE TRIM



BOX 515 RAILROAD STREET
 SANDY LAKE, PENNSYLVANIA 16145-0515
 PHONE: 800-245-0396 ° FAX: 724-376-3864

"Flexrib" Standard Details

Base Details

DRAWN BY: D.UREY

DATE: 10-25-02

DRAWING NO.

REVISED BY:

DATE:

R-Panel-9