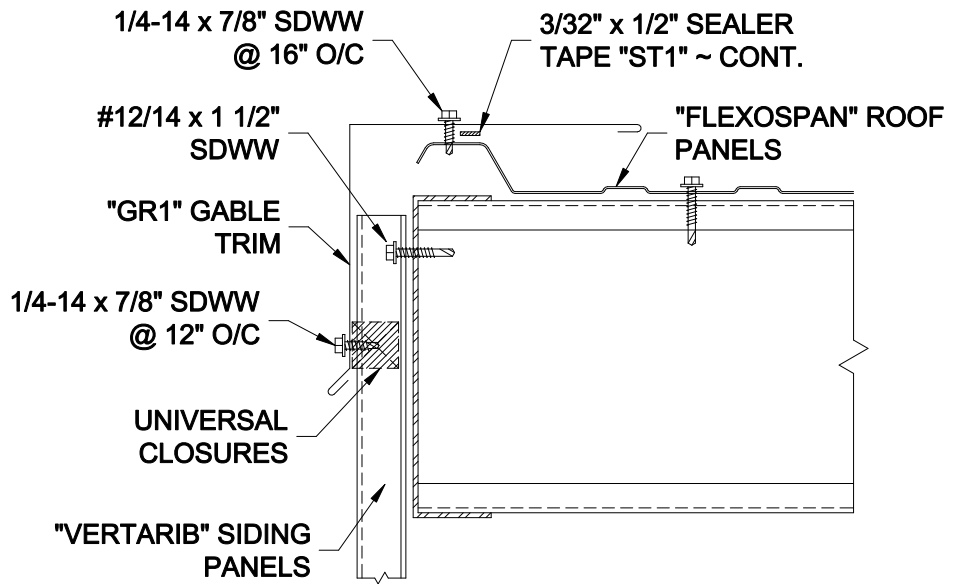
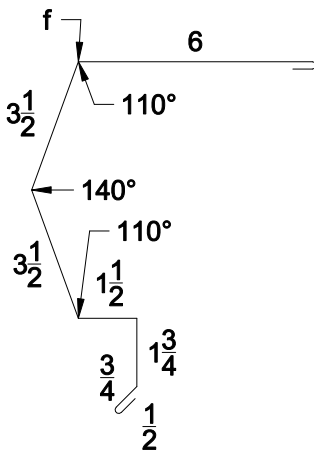


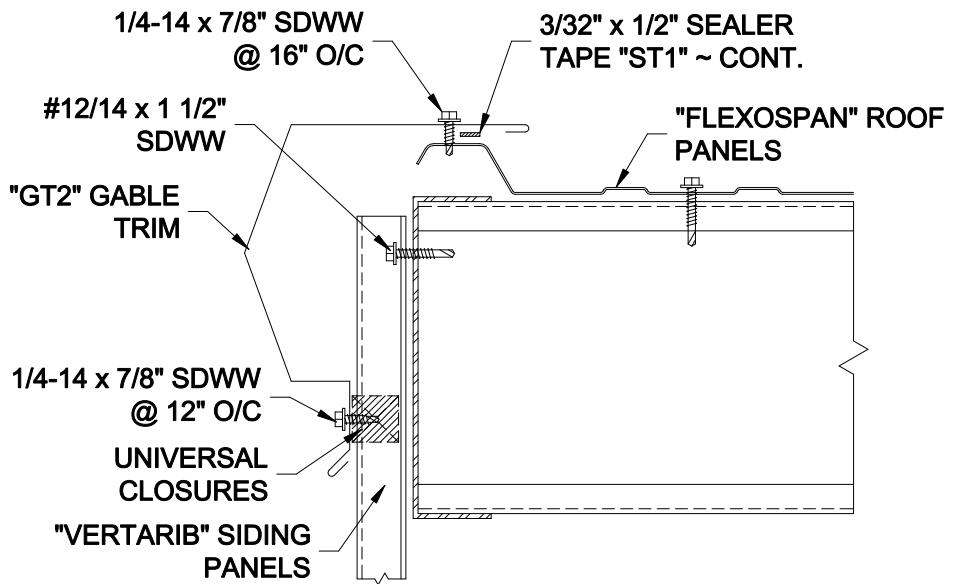
"GR1" GABLE TRIM



GABLE DETAIL



"GT2" GABLE TRIM



GABLE DETAIL



BOX 515 RAILROAD STREET
 SANDY LAKE, PENNSYLVANIA 16145-0515
 PHONE: 800-245-0396 ° FAX: 724-376-3864

"Vertarib" Standard
 Details

DRAWN BY: RW	DATE: 3/1/00
REVISED BY: CANON D. UREY	DATE: 7-1-04

Gable Detail

DRAWING NO.
 Vertarib-5