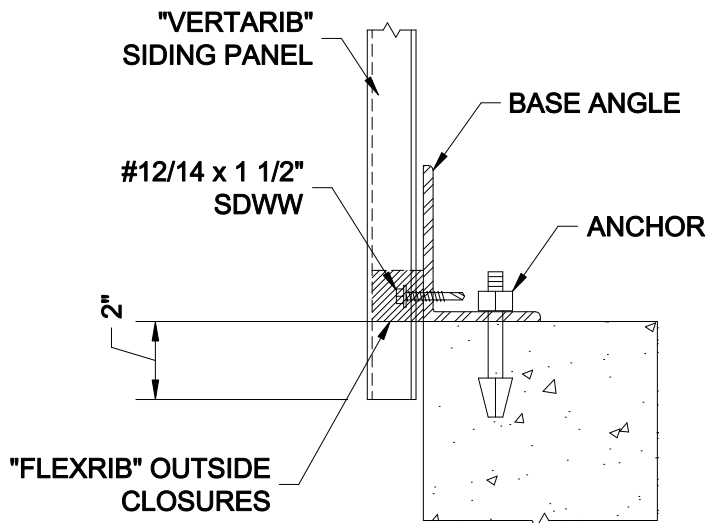
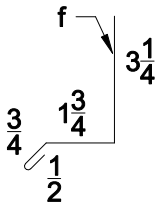


CURB w/ TRIM



CURB w/ CLOSURE



"BD5" BASE TRIM



BOX 515 RAILROAD STREET
 SANDY LAKE, PENNSYLVANIA 16145-0515
 PHONE: 800-245-0396 ° FAX: 724-376-3864

"Vertarib" Standard
 Details

Base Details

DRAWN BY: RW

DATE: 2/16/00

DRAWING NO.

REVISED BY: CANON
 K. Kemmer

DATE: 5-30-00

Vertarib-7