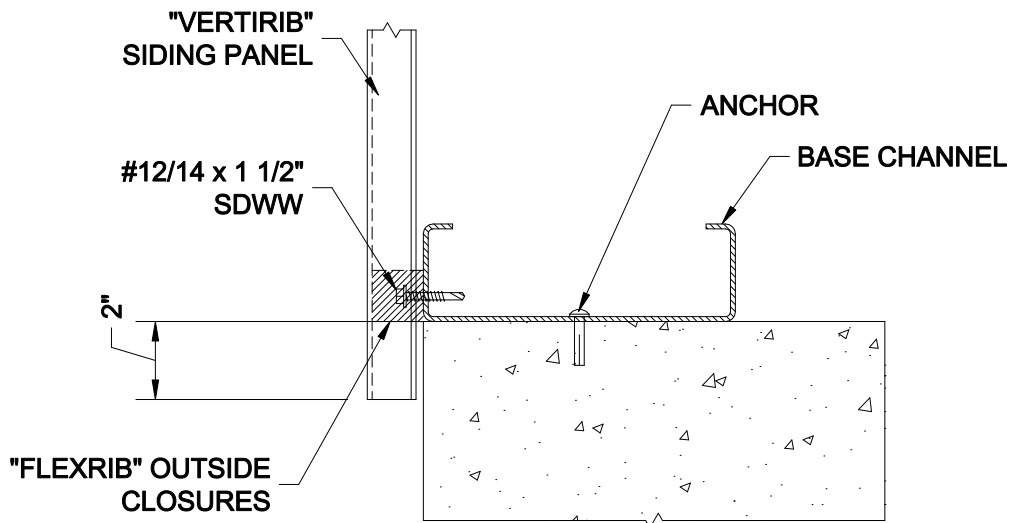
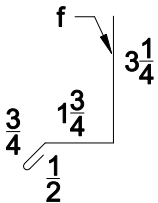


CURB w/ TRIM



CURB w/ CLOSURE



"BD5" BASE TRIM



BOX 515 RAILROAD STREET
SANDY LAKE, PENNSYLVANIA 16145-0515
PHONE: 800-245-0396 ° FAX: 724-376-3864

"Vertirib" Standard Details

Building
Base Details

DRAWN BY: D.UREY

DATE: 10/5/05

DRAWING NO.

REVISED BY:

DATE:

Vertirib - 7B