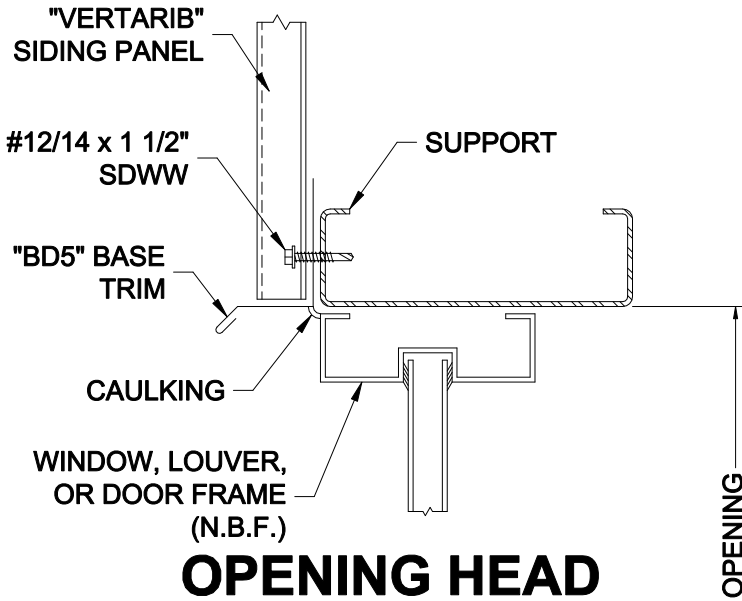
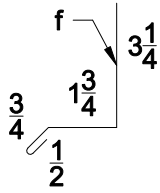
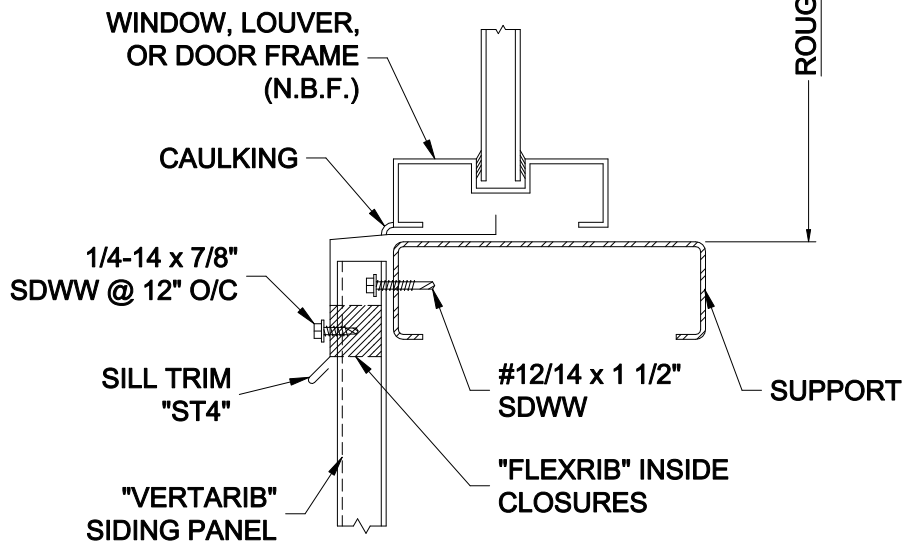


"BD5" BASE TRIM

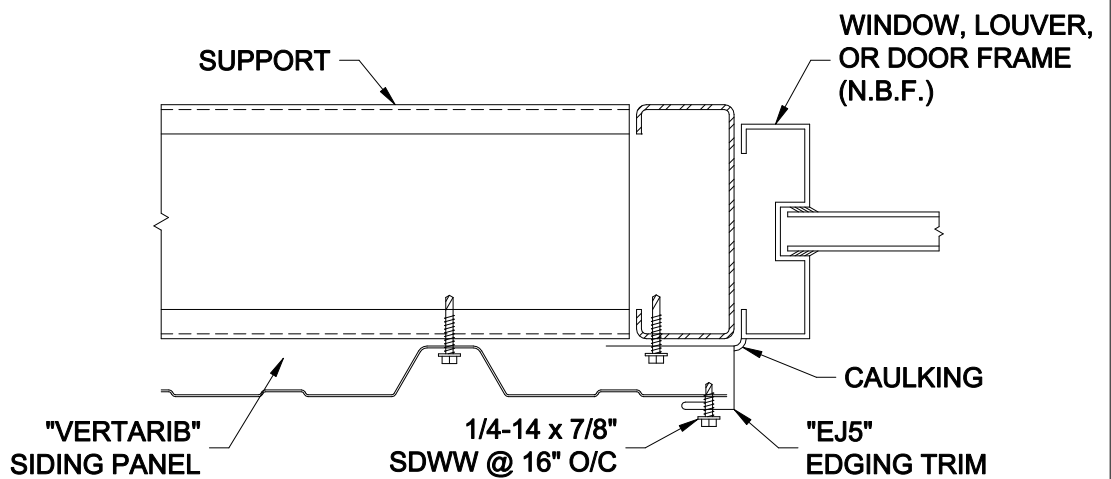
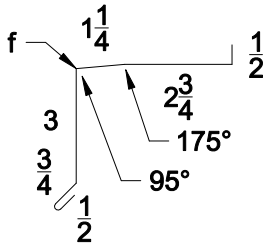


### OPENING HEAD



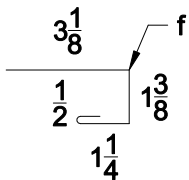
### OPENING SILL

"ST4" SILL TRIM



### OPENING JAMB

"EJ5" EDGING TRIM



BOX 515 RAILROAD STREET  
SANDY LAKE, PENNSYLVANIA 16145-0515  
PHONE: 800-245-0396 ° FAX: 724-376-3864

"Vertarib" Standard  
Details

Opening Head, Sill, &  
Jamb Details

DRAWN BY: RW

DATE: 2/16/00

DRAWING NO.

REVISED BY: CANON  
K. Kemmer

DATE: 5-30-00

Vertarib-8