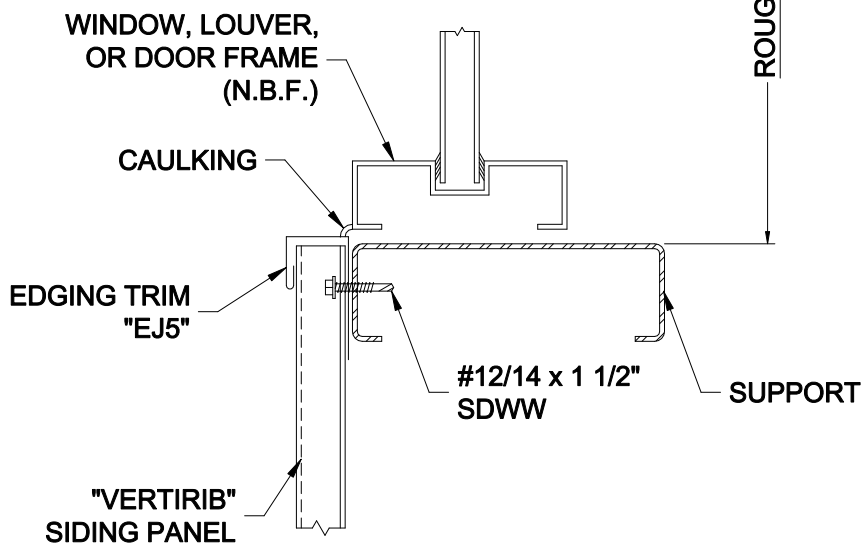
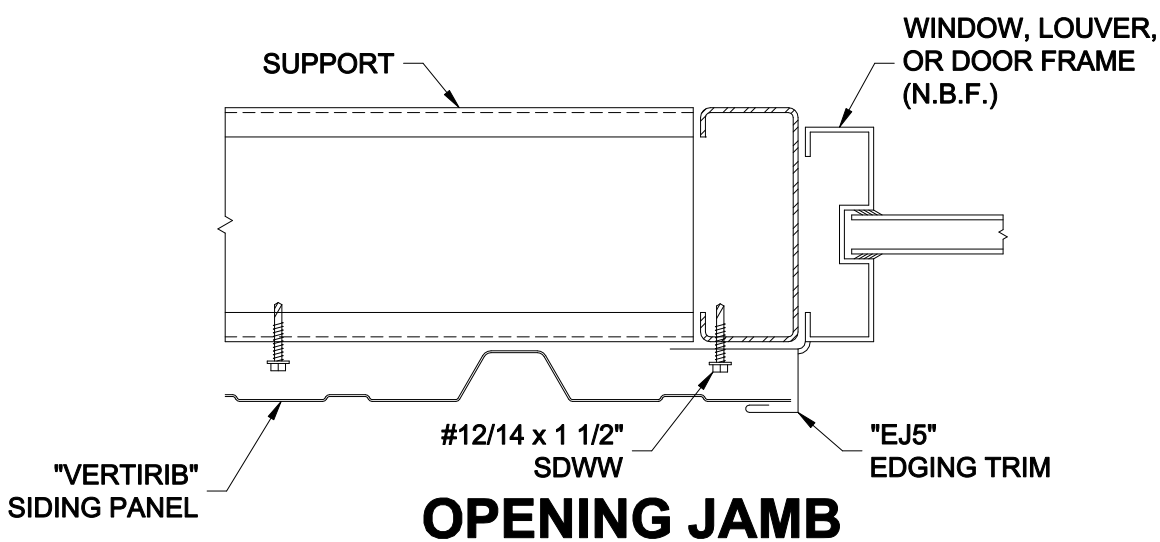
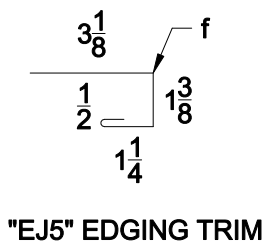


OPENING HEAD



OPENING SILL



OPENING JAMB

FLEXOSPAN
 BOX 515 RAILROAD STREET
 SANDY LAKE, PENNSYLVANIA 16145-0515
 PHONE: 800-245-0396 ° FAX: 724-376-3864

"Vertirib" Standard Details

Opening Head, Sill, & Jamb Details

DRAWN BY: D.UREY

DATE: 10/5/05

DRAWING NO.

REVISED BY:

DATE:

Vertirib - 8B