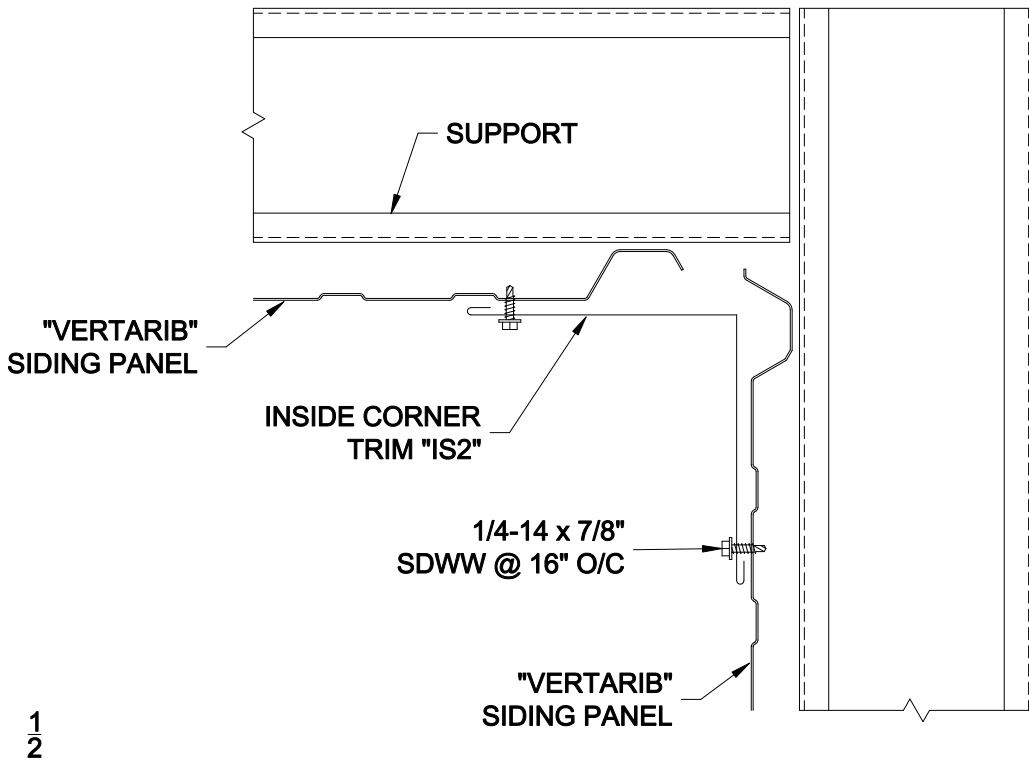


"OS2" OUTSIDE CORNER TRIM

OUTSIDE CORNER DETAIL



"IS2" INSIDE CORNER TRIM

INSIDE CORNER DETAIL



BOX 515 RAILROAD STREET
 SANDY LAKE, PENNSYLVANIA 16145-0515
 PHONE: 800-245-0396 ° FAX: 724-376-3864

"Vertarib" Standard
 Details

Outside & Inside Corner
 Details

DRAWN BY: RW

DATE: 2/16/00

DRAWING NO.

REVISED BY: CANON
 K. Kemmer

DATE: 5-30-00

Vertarib-9