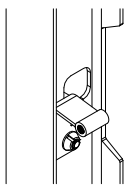
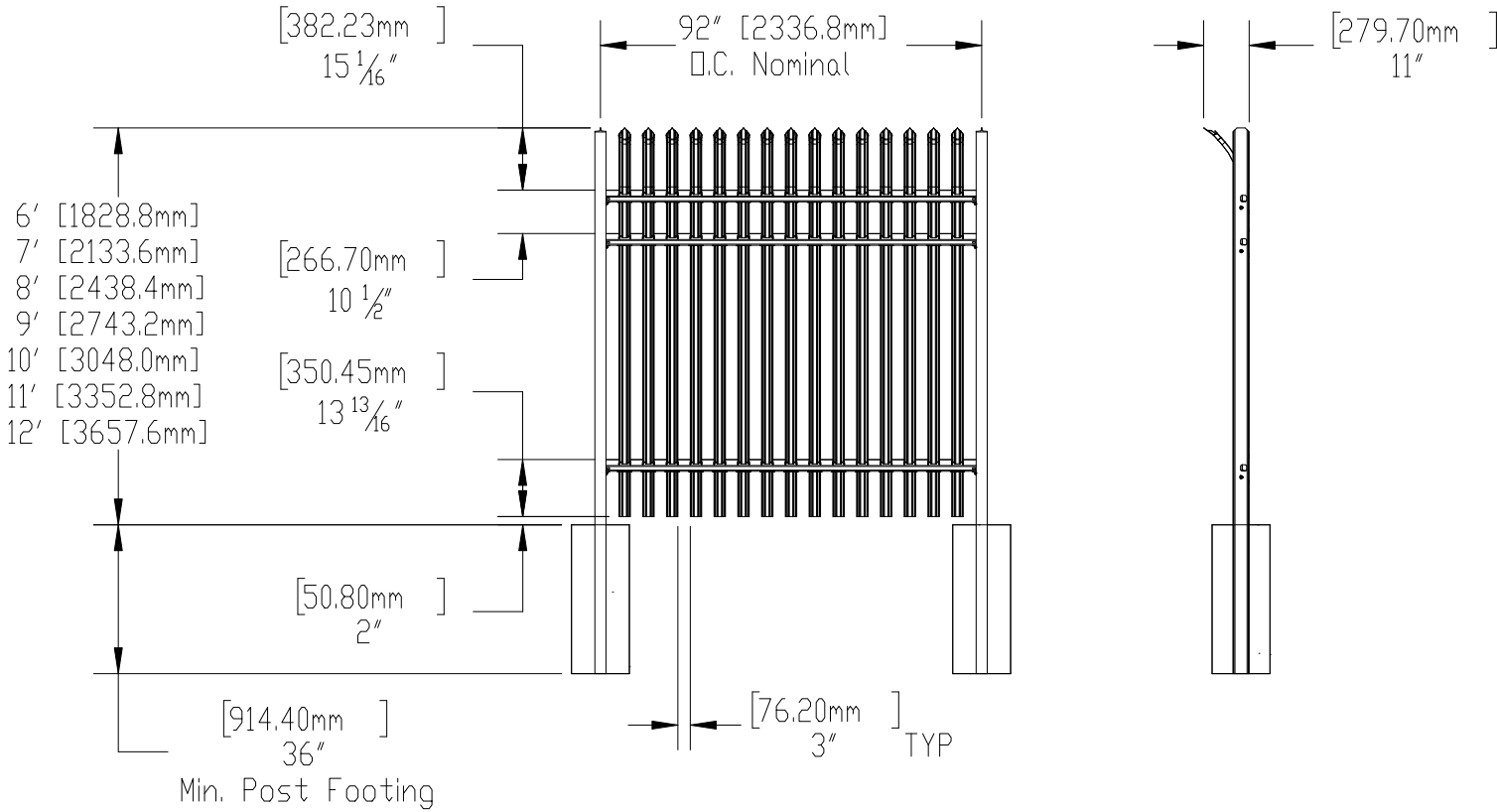
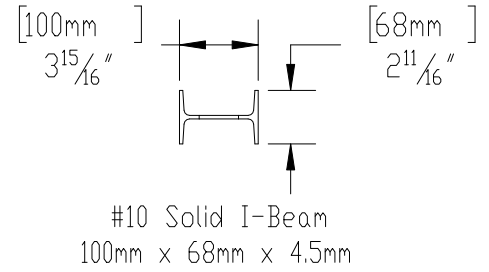
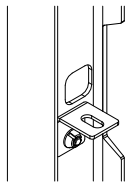


Notes:

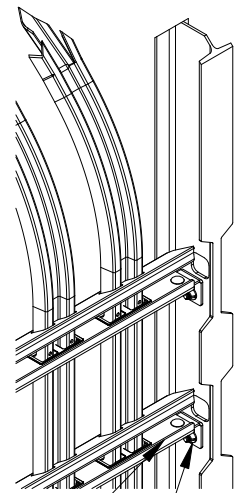
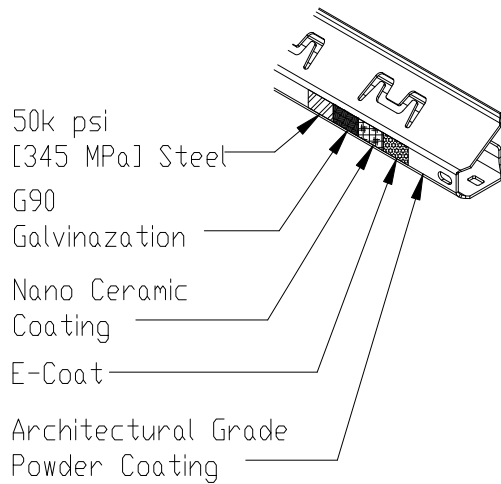
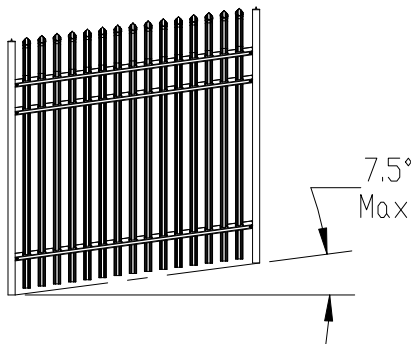
- Two-Rail Option Available
- Panel Ships Completely Assembled
- Pales Through Rails
- 20-year FortressShield Limited Warranty
- Patent Pending



EXR-109



EX-109



Cable Raceway

Anti-tamper fasteners and brackets



Fortress Building Products  
1720 1st Street  
Garland, Tx 75040  
www.fortressbop.com

Style: Citadel	Description: ARES Citadel 2 & 3 Rail Panels	
Height:	Rev #: 1	Rev Date: 6/30/20
Panel Length: 90.5in [2290.7mm]	Drawn By: KurtC	
Class: High Security	Date: 7/1/20	Scale: Do Not Scale