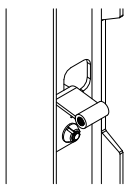
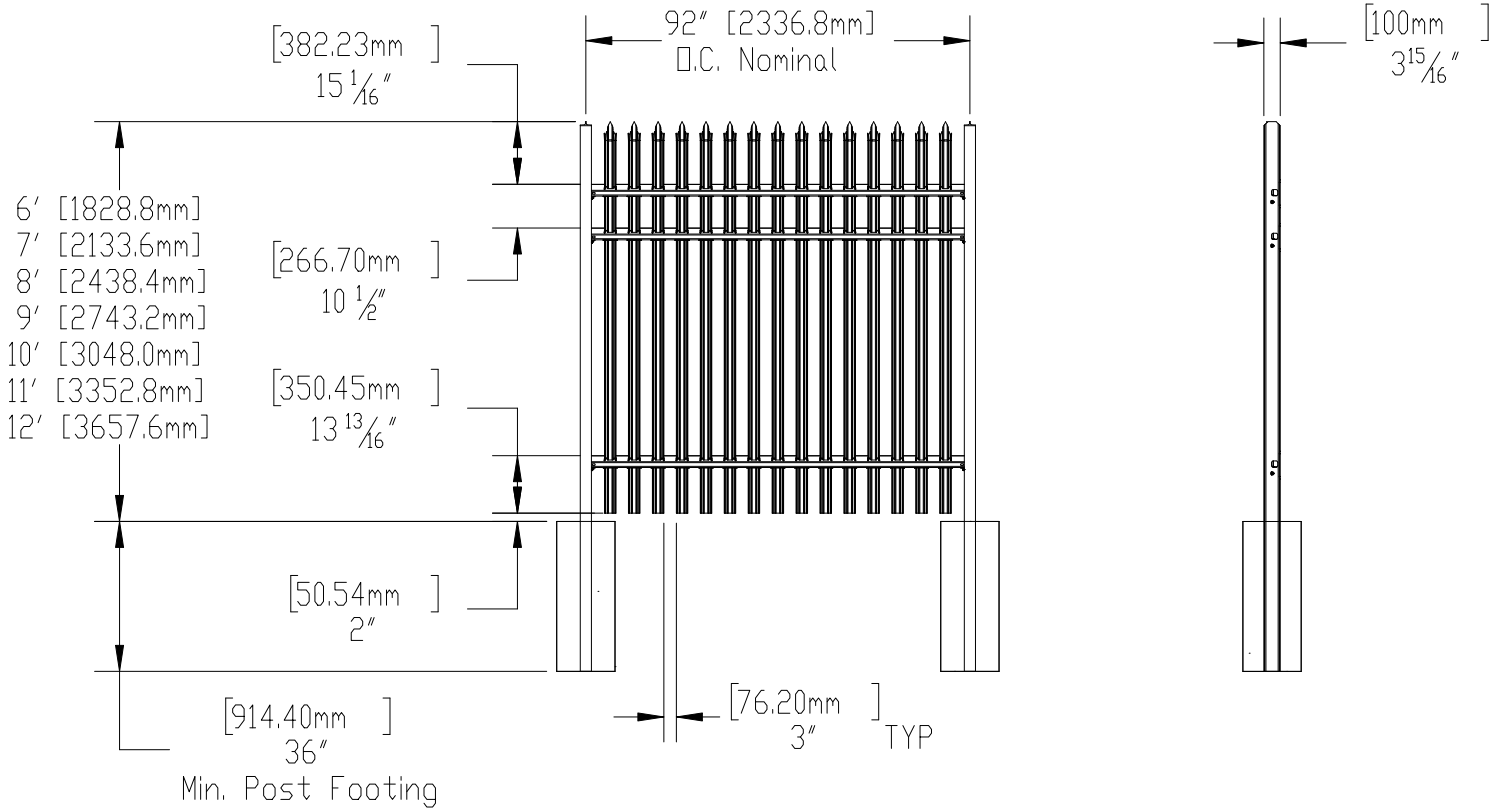
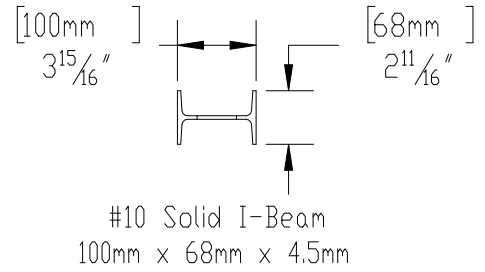
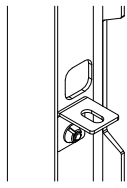


Notes:

- Two-Rail Option Available
- Panel Ships Completely Assembled
- Pales Through Rails
- 20-year FortressShield Limited Warranty
- Patent Pending

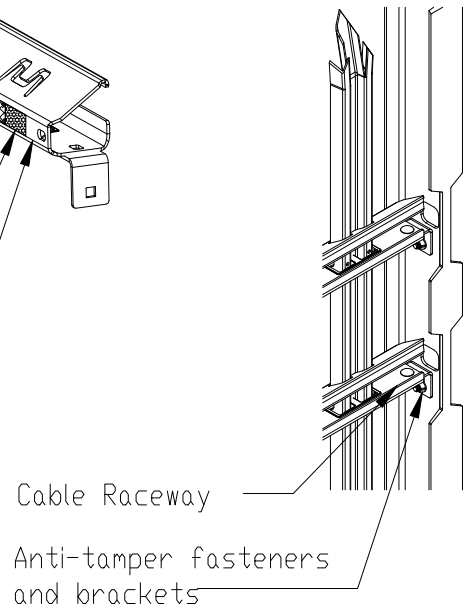
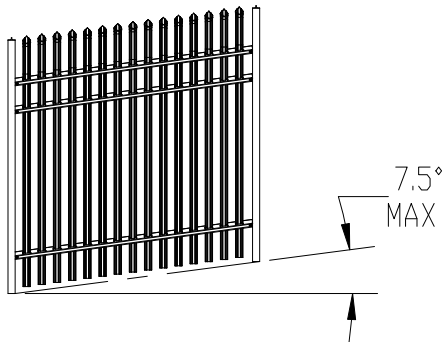
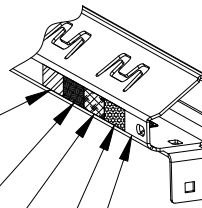


EXR-109



EX-109

- 50k psi [345 MPa] Steel
- G90 Galvination
- Nano Ceramic Coating
- E-Coat
- Architectural Grade Powder Coating



**FORTRESS**  
BUILDING PRODUCTS

Fortress Building Products  
1720 1st Street  
Garland, Tx 75040  
www.fortressbop.com

Style: Spartan	Description: ARES Spartan 2 & 3 Rail Panels	
Height:	Rev #: 1	Rev Date: 6/30/20
Panel Length: 90.5in [2298.7mm]	Drawn By: KurtC	
Class: High Security	Date: 7/1/20	Scale: Do Not Scale