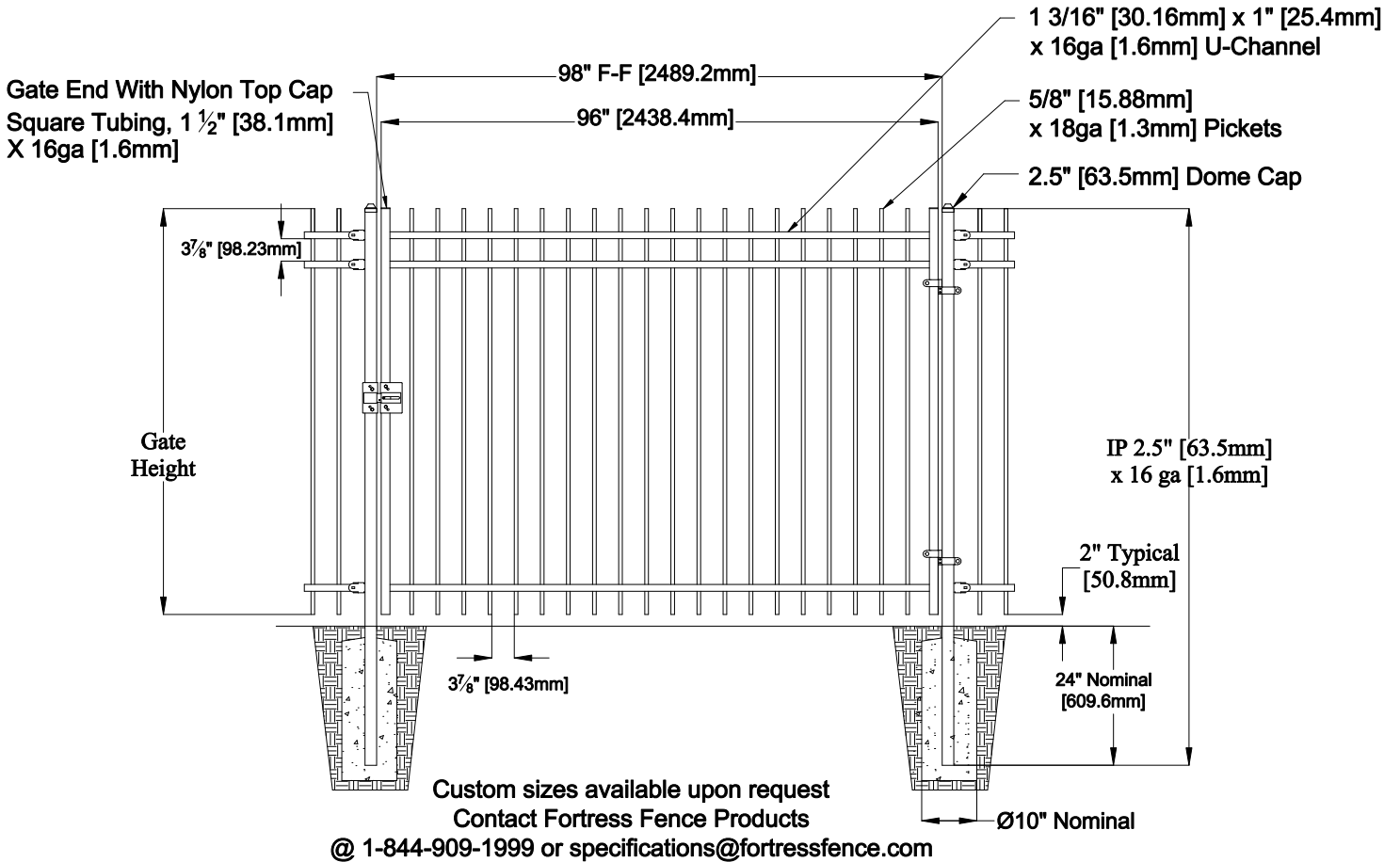
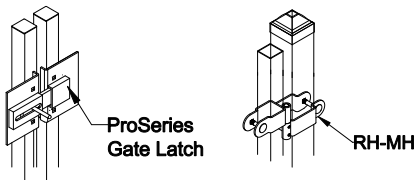


Select Desired Height

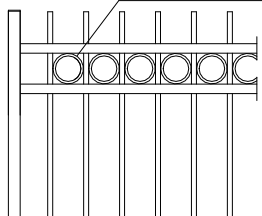
- 34" [863.6mm]
- 40" [1016.0mm]
- 46" [1168.4mm]
- 58" [1473.2mm]
- 70" [1778.0mm]



**Applicable Hardware**

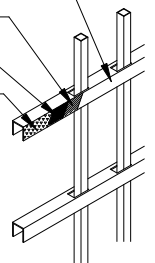


VERSAI RINGS-3D-RES  
for Level Installations  
(Optional)



Architectural Grade Polyester Powder Coat

E-Coat  
Zinc Phosphate Coating  
G-60 Pre-Galvanized Steel



The product design contained on this drawing is proprietary to Fortress Iron, LP, Garland, Texas, USA, and is not to be copied electronically or manually, or reproduced in any manner, or divulged to other sources, without the expressed written permission of an authorized representative of Fortress Iron L.P. \*(Always consult local building codes)



Fortress Fence  
1720 North 1st Street  
Garland, TX 75040  
972-231-4132

Style: EXTended Picket	Description: EXT3-VERSAI-RES-08-DGP	
Height: 34", 40", 46", 58", 70"	Rev #:	Rev Date:
Gate Width: 96"	Scale: Do Not Scale	
Class: Residential	Drawn By: JS	Date: 3/31/17