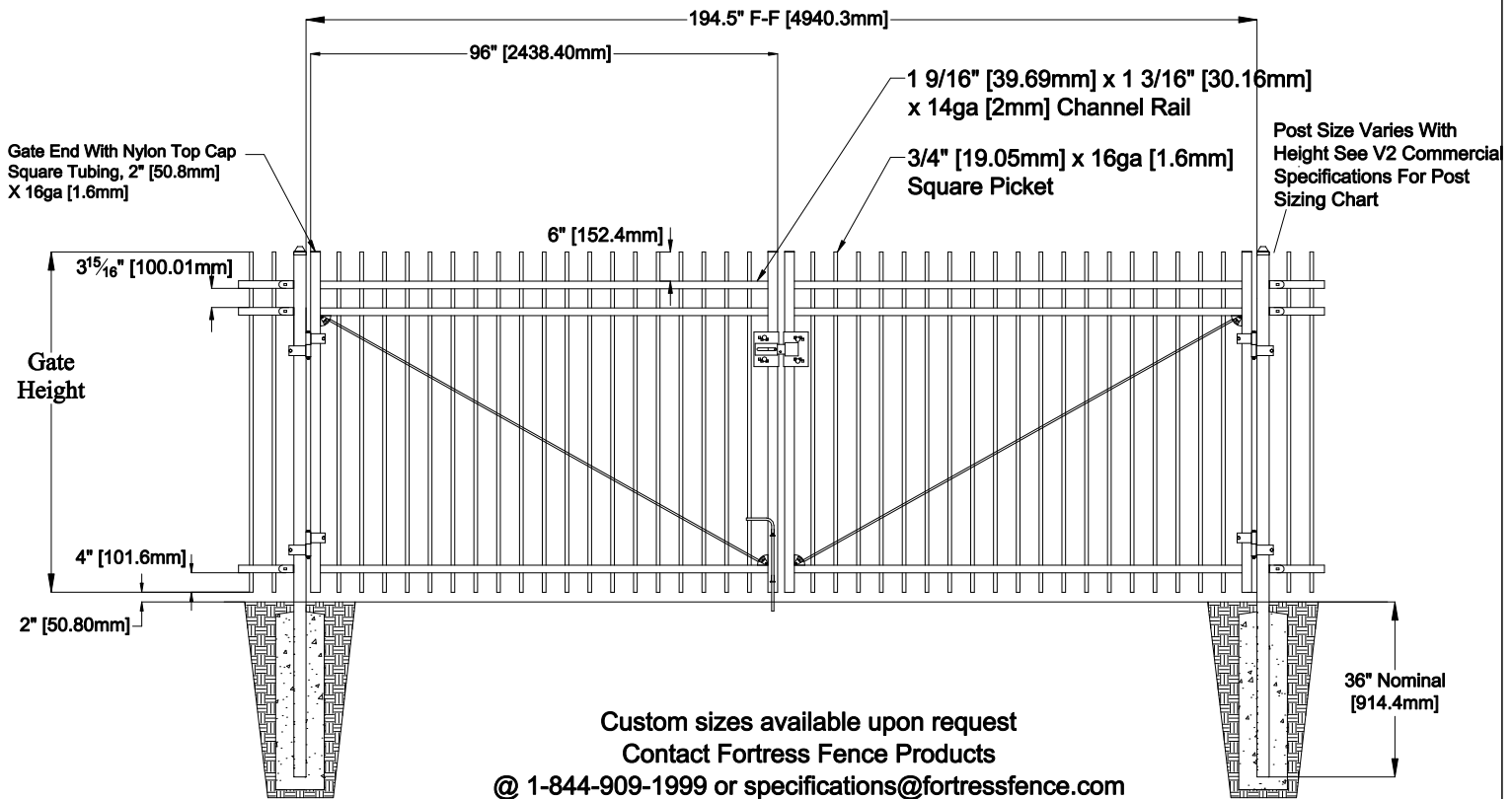
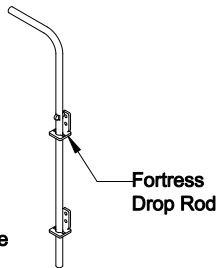
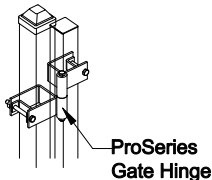
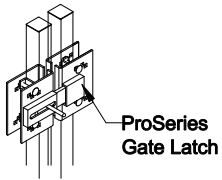


Select Desired Height

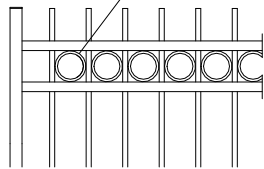
- 82" [2082.8mm]
- 94" [2387.6mm]



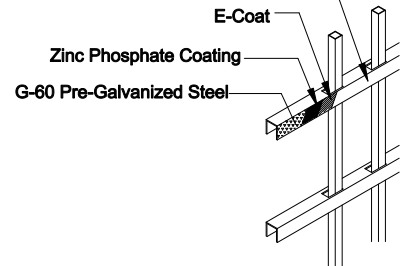
Applicable Hardware



VERSAI RINGS-3D-RES
for Level Installations
(Optional)



Architectural Grade Polyester Powder Coat



The product design contained on this drawing is proprietary to Fortress Iron, LP, Garland, Texas, USA, and is not to be copied electronically or manually, or reproduced in any manner, or divulged to other sources, without the expressed written permission of an authorized representative of Fortress Iron L.P. *(Always consult local building codes)



Fortress Fence
1720 North 1st Street
Garland, TX 75040
972-231-4132

Style: Extended Picket	Description: (2)EXT-V2-COM-08-DGP	
Height: 82", 94"	Rev #:	Rev Date:
Panel Length: 96"	Scale: Do Not Scale	
Class: Commercial	Drawn By: JS	Date: 1/25/17