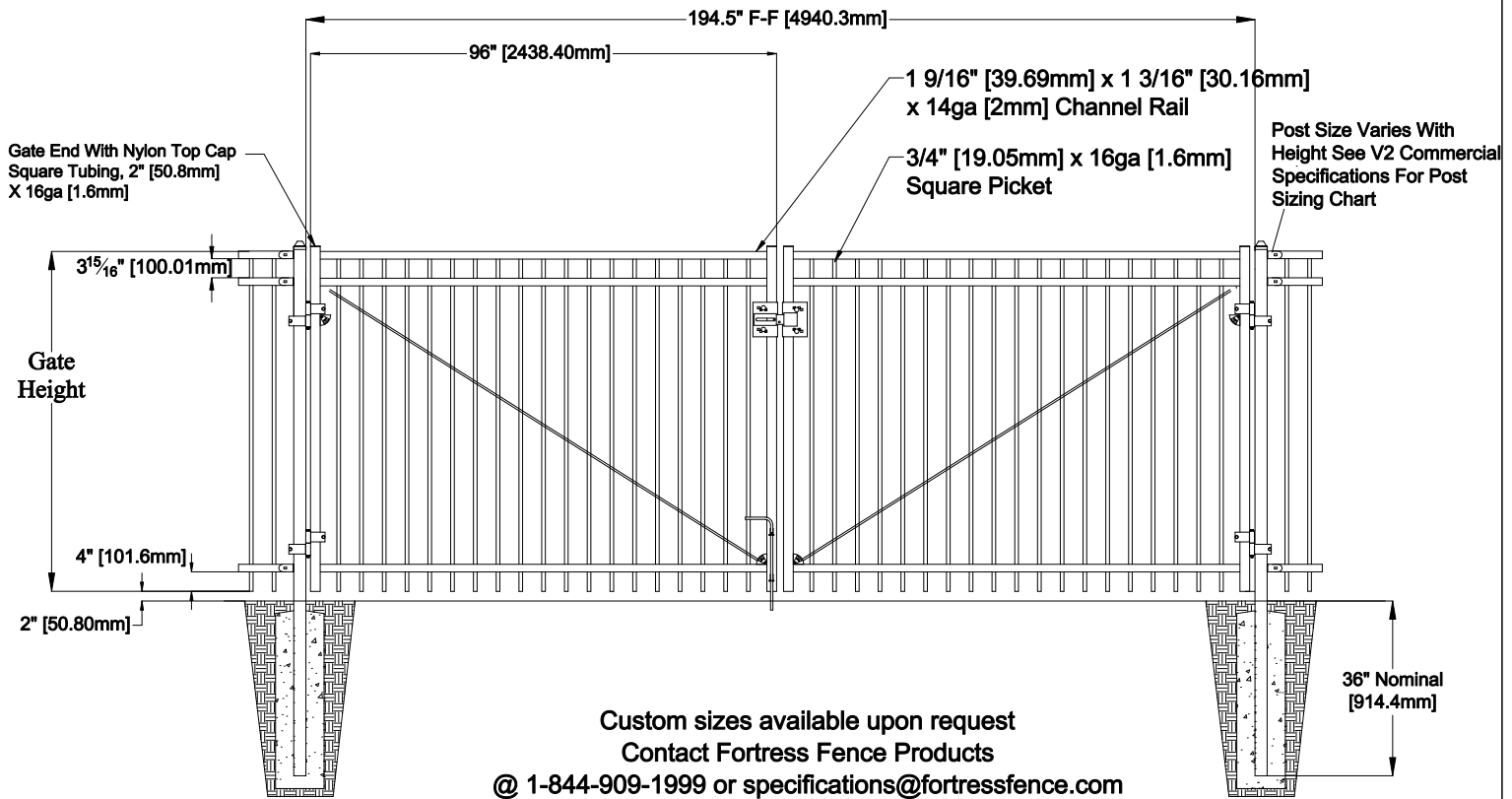


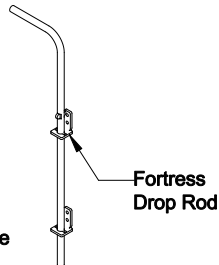
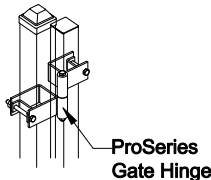
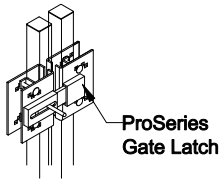
Select Desired Height

82" [2082.8mm]

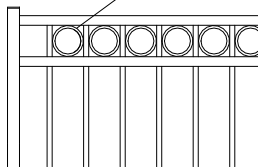
94" [2387.6mm]



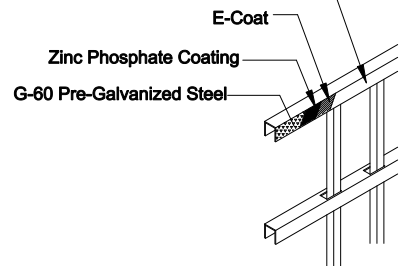
Applicable Hardware



VERSAI RINGS-3D-RES for Level Installations (Optional)



Architectural Grade Polyester Powder Coat



The product design contained on this drawing is proprietary to Fortress Iron, LP, Garland, Texas, USA, and is not to be copied electronically or manually, or reproduced in any manner, or divulged to other sources, without the expressed written permission of an authorized representative of Fortress Iron L.P. \*(Always consult local building codes)



Fortress Fence  
1720 North 1st Street  
Garland, TX 75040  
972-231-4132

Style: Flat Top	Description: (2) FT3-V2-COM-08-DGP	
Height: 82", 94"	Rev #:	Rev Date:
Panel Length: 96"	Scale: Do Not Scale	
Class: Commercial	Drawn By: JS	Date: 1/27/17