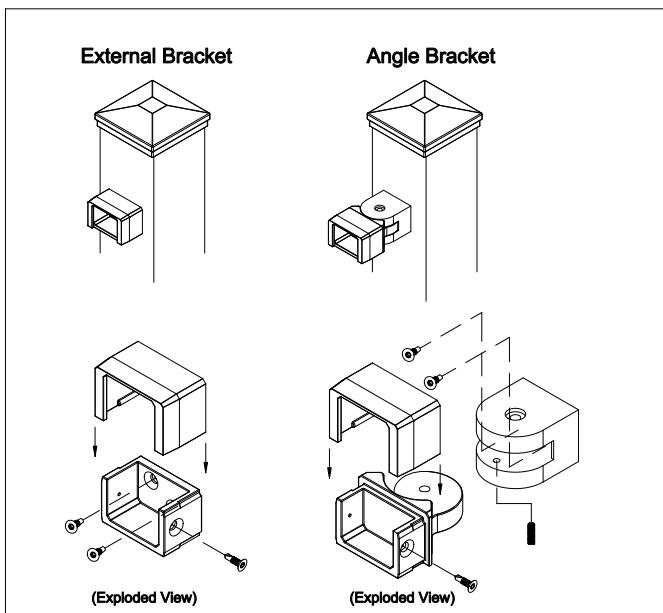
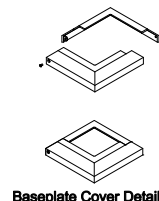
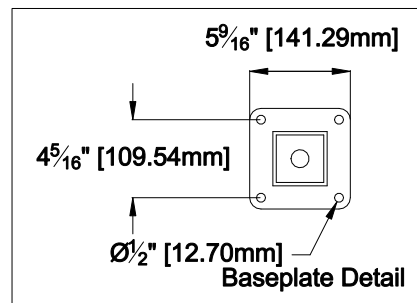


**Applicable Bracket (Options):**

**AL13 Evolve Brackets**



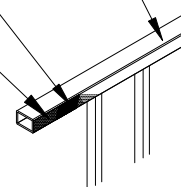
**NOTE:**  
Bracket to Post Connection: T25 3/4" Thread Cutting Screw  
Railing Panel to Bracket Connection: T25 3/4" Thread Cutting Screw



Architectural Grade Polyester Powder Coat

Chromium Phosphate Coating

6063T6 Alloy Extruded Tube



The product design contained on this drawing is proprietary to Fortress Iron, LP, Garland, Texas, USA, and is not to be copied electronically or manually, or reproduced in any manner, or divulged to other sources, without the expressed written permission of an authorized representative of Fortress Iron L.P.



Fortress Railing  
1720 North 1st Street  
Garland, TX 75040  
972-231-3038

Style: AL13

Height: 34"

Panel Length: 93"

Class: Residential

Description: Railing with Accent Top Panel

Rev #:

Rev Date:

Scale: Do Not Scale

Drawn By: FS

Date: 12/12/13