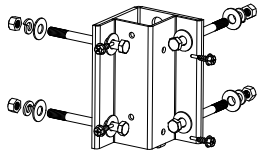
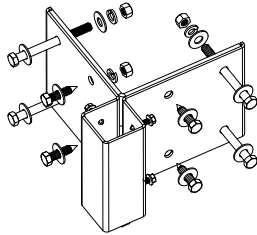


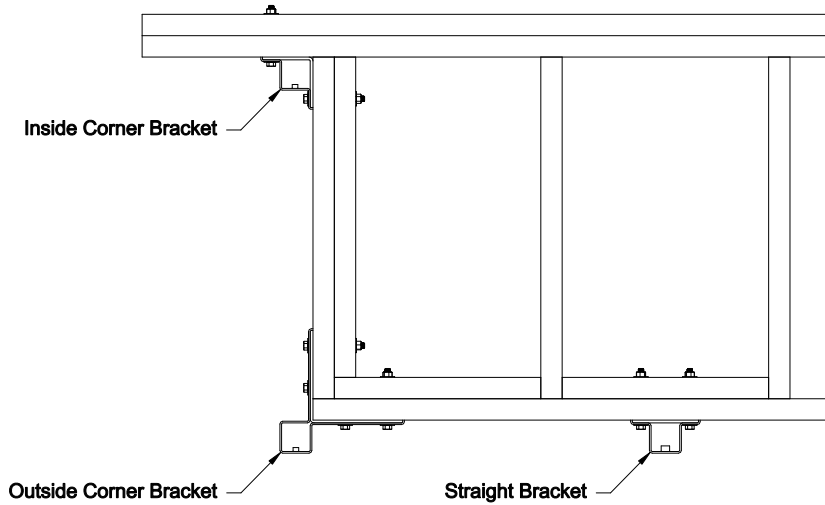
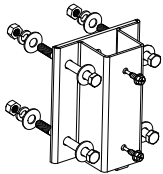
(Inside Corner Bracket)



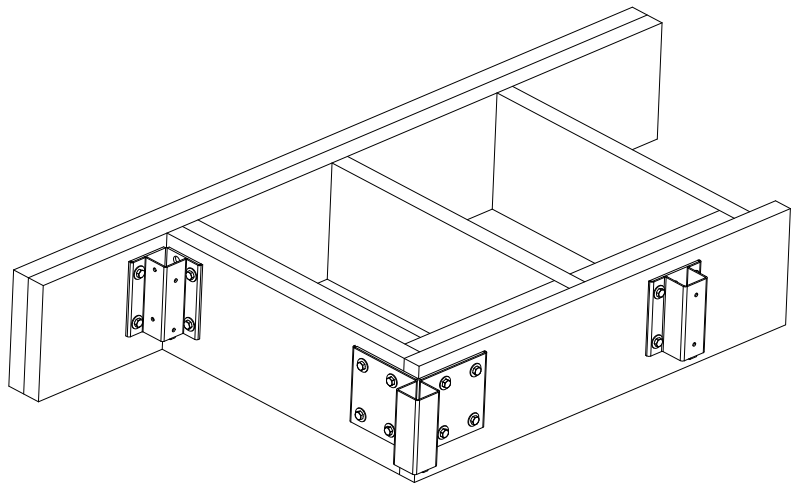
(Outside Corner Bracket)



(Straight Bracket)



**Fascia Mount Brackets (Plan View)**  
(Available for 2" and 3" Posts)



**Fascia Mount Brackets (Isometric View)**

**Included:**

- #10 Self Drilling Screws

**Additional Materials (Required):**

- 3/8" Hex Bolts
- 3/8" Flat Washers
- 3/8" Lock Washers
- 3/8" Lock Nuts

Bolt Length (T.B.D.) pending final framing installation.

The product design contained on this drawing is proprietary to Fortress Iron, LP, Garland, Texas, USA, and is not to be copied electronically or manually, or reproduced in any manner, or divulged to other sources, without the expressed written permission of an authorized representative of Fortress Iron L.P.



Fortress Railing  
1720 North 1st Street  
Garland, TX 75040  
972-231-3038

www.fortressrailing.com

Style: Fe26	Description: Fascia Mount Brackets	
Height:	Rev #:	Rev Date:
Panel Length:	Scale: Do Not Scale	
Class: RES/COM	Drawn By: FS	Date: 12/12/13