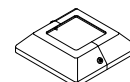
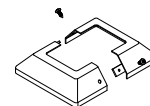
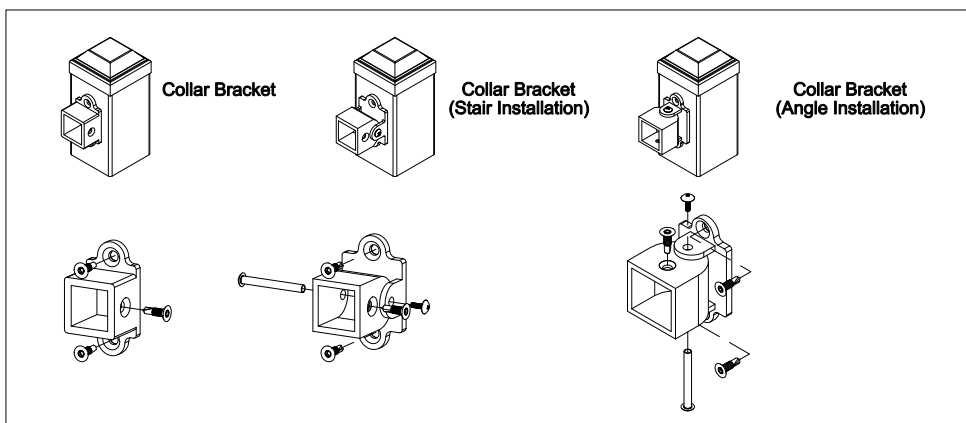
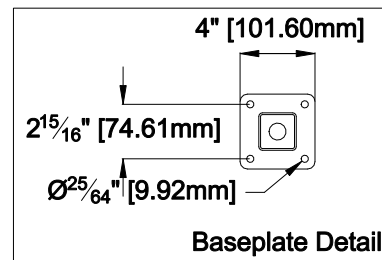
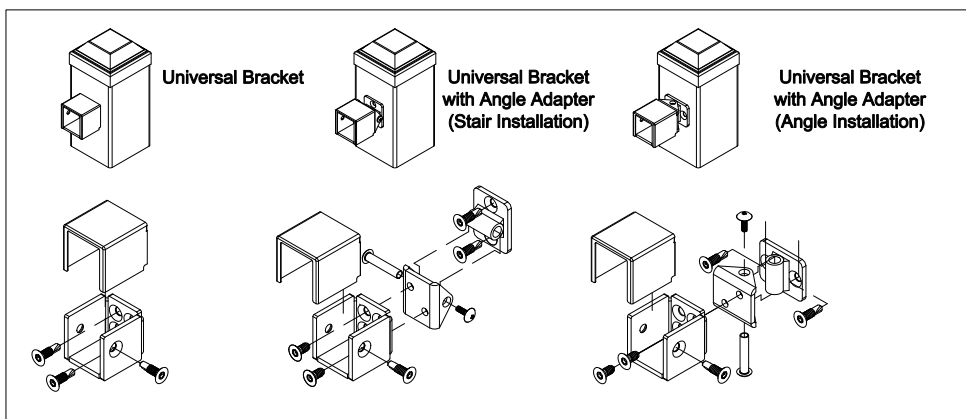
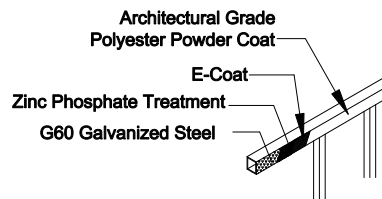


Applicable Bracket (Options):



Baseplate Cover Detail



The product design contained on this drawing is proprietary to Fortress Iron, LP, Garland, Texas, USA, and is not to be copied electronically or manually, or reproduced in any manner, or divulged to other sources, without the expressed written permission of an authorized representative of Fortress Iron L.P.



Fortress Railing
1720 North 1st Street
Garland, TX 75040
972-231-3038

Style: Fe26 Traditional

Height: 34", 40"

Panel Length: 93.5"

Class: Residential

Description: Railing

Rev #:

Rev Date:

Scale: Do Not Scale

Drawn By: FS

Date: 12/12/13