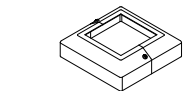
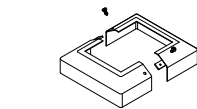
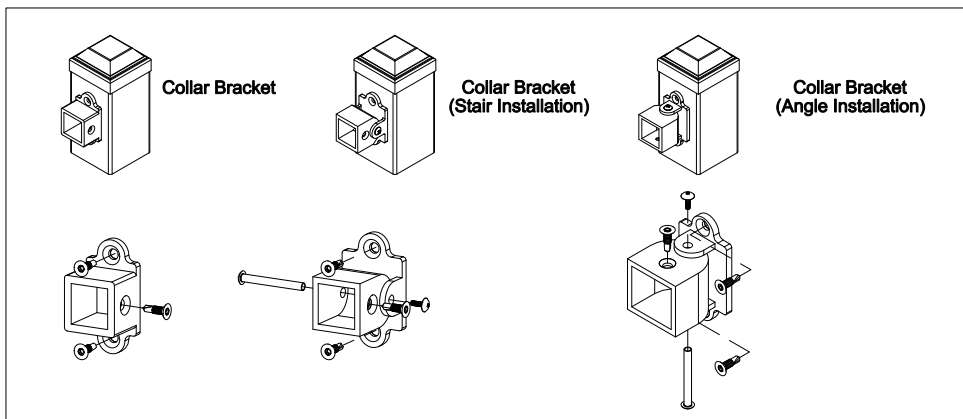
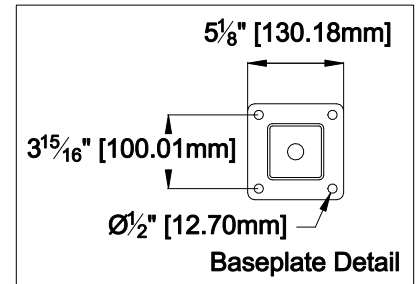
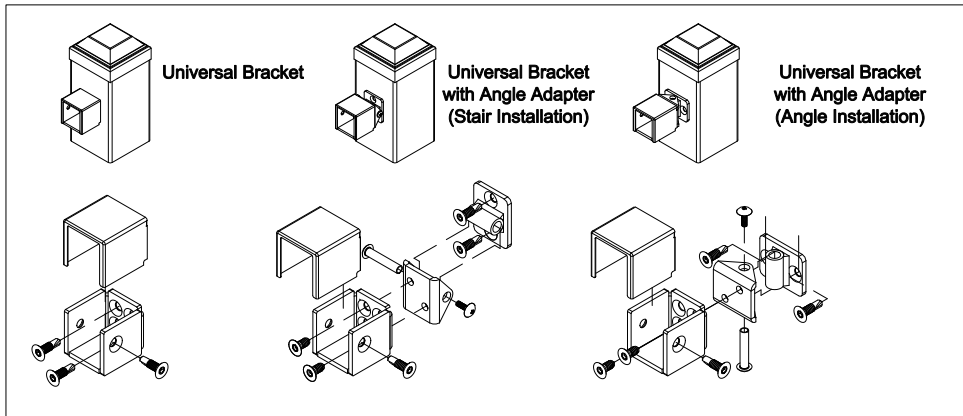
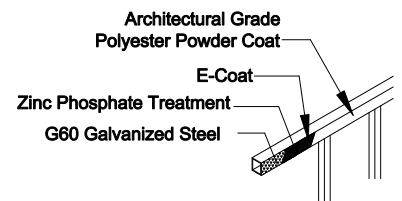


**Applicable Bracket (Options):**



**Baseplate Cover Detail**



The product design contained on this drawing is proprietary to Fortress Iron, LP, Garland, Texas, USA, and is not to be copied electronically or manually, or reproduced in any manner, or divulged to other sources, without the expressed written permission of an authorized representative of Fortress Iron L.P.



**Fortress Railing**  
 1720 North 1st Street  
 Garland, TX 75040  
 972-231-3038

Style: Fe26 Traditional	Description: Railing	
Height: 34", 40"	Rev #:	Rev Date:
Panel Length: 69.5"	Scale: Do Not Scale	
Class: Commercial	Drawn By: FS	Date: 12/12/13