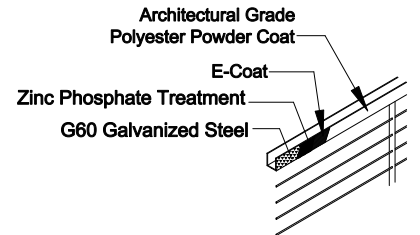
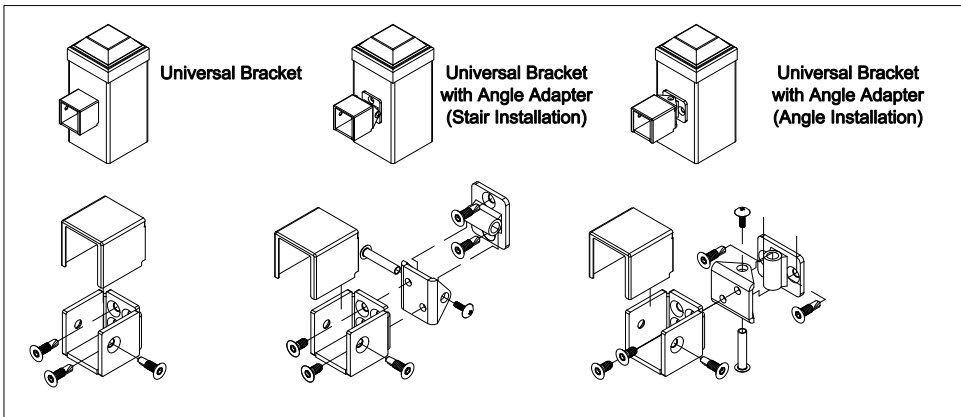


**Applicable Bracket (Options):**



The product design contained on this drawing is proprietary to Fortress Iron, LP, Garland, Texas, USA, and is not to be copied electronically or manually, or reproduced in any manner, or divulged to other sources, without the expressed written permission of an authorized representative of Fortress Iron L.P.

**Fortress Railing**  
 1720 North 1st Street  
 Garland, TX 75040  
 972-231-3038

**Style: Horizontal Cable**  
**Height: 34", 40"**  
**Panel Length: 69.5"**  
**Class: Commercial**

**Description: Railing**  
 Rev #:                      Rev Date:  
 Scale: Do Not Scale  
 Drawn By: FS              Date: 4/26/18