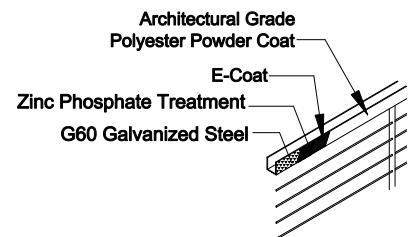
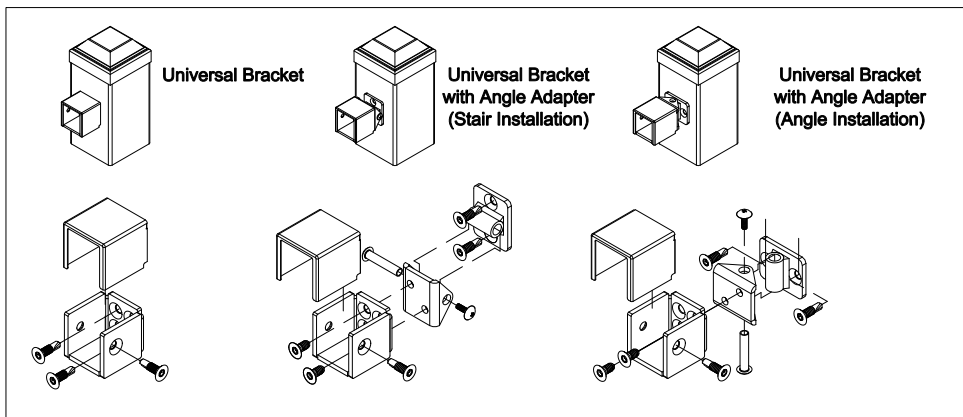


**Applicable Bracket (Options):**



The product design contained on this drawing is proprietary to Fortress Iron, LP, Garland, Texas, USA, and is not to be copied electronically or manually, or reproduced in any manner, or divulged to other sources, without the expressed written permission of an authorized representative of Fortress Iron L.P.

<p><b>Fortress Railing</b>          1720 North 1st Street          Garland, TX 75040          972-231-3038</p>	<b>Style: Horizontal Cable</b>		<b>Description: Railing</b>	
	<b>Height: 34", 40"</b>		<b>Rev #:</b>	<b>Rev Date:</b>
	<b>Panel Length: 93.5"</b>		<b>Scale: Do Not Scale</b>	
	<b>Class: Commercial</b>		<b>Drawn By: FS</b>	<b>Date: 4/26/18</b>