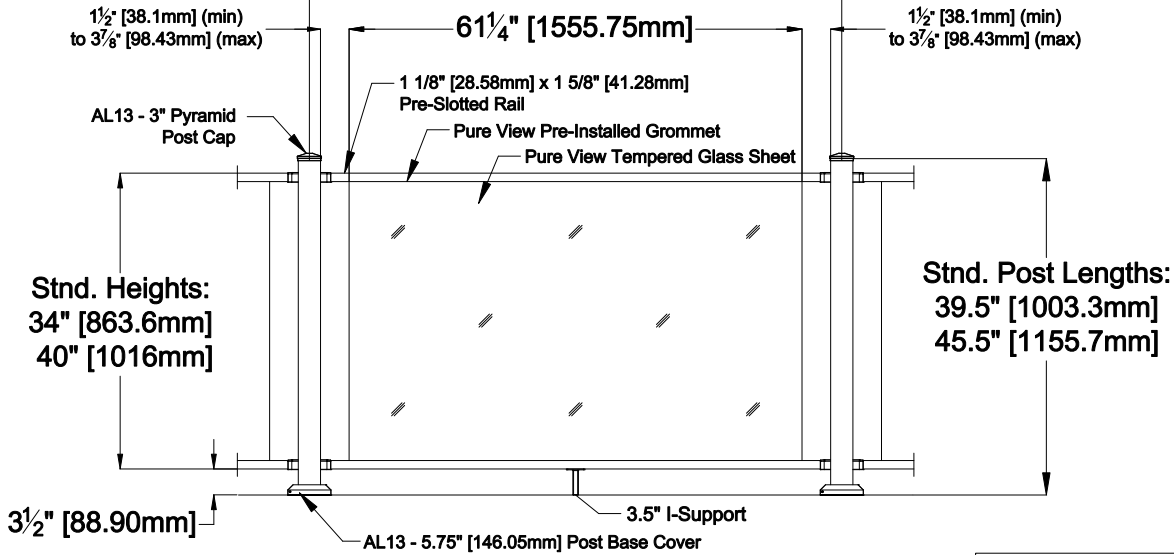


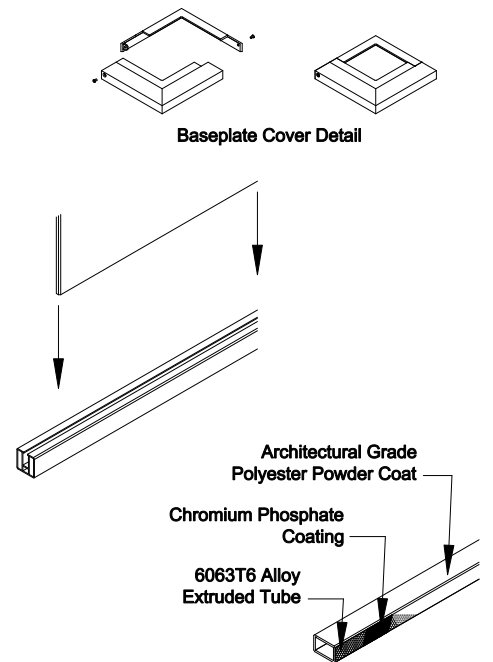
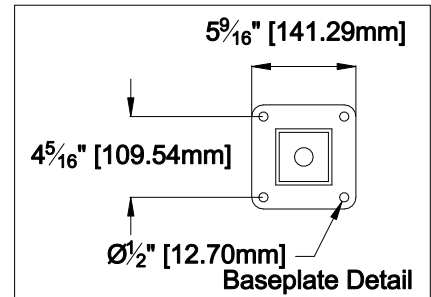
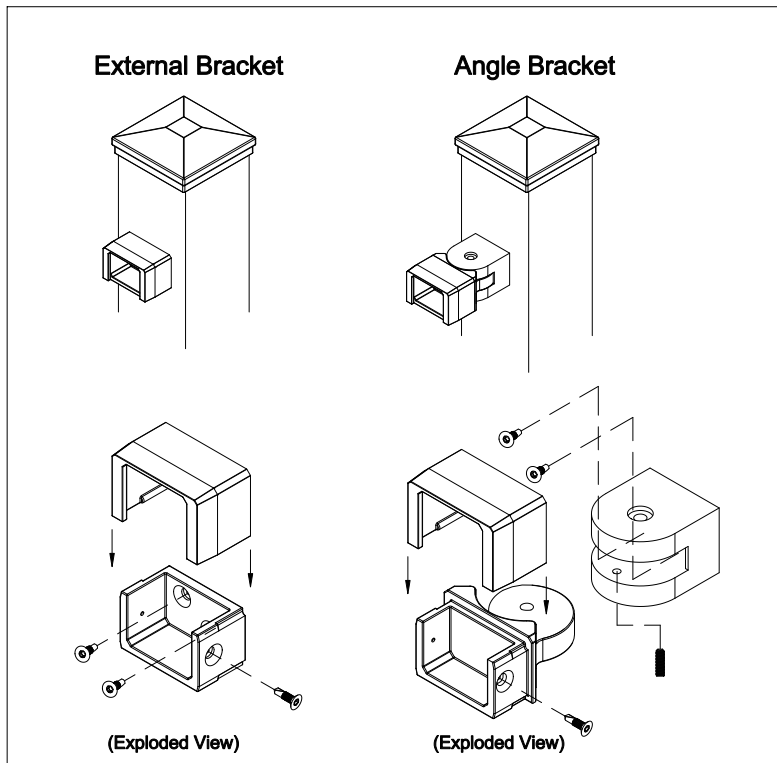
**Center to Center Post Spacing  
(61.25" Panel)**

**67¼" [1708.15mm] (min)  
to 72" [1828.8mm] (max)**



**Applicable Bracket (Options):**

**AL13 Evolve Brackets**



**NOTE:**  
Bracket to Post Connection: T25 3/4" Thread Cutting Screw  
Railing Panel to Bracket Connection: T25 3/4" Thread Cutting Screw

The product design contained on this drawing is proprietary to Fortress Iron, LP, Garland, Texas, USA, and is not to be copied electronically or manually, or reproduced in any manner, or divulged to other sources, without the expressed written permission of an authorized representative of Fortress Iron L.P.



**Fortress Railing**  
1720 North 1st Street  
Garland, TX 75040  
972-231-3038

**Style: Pure View Glass Sheet with AL13 rails**

**Height: 34", 40"**

**Rev #:**

**Rev Date:**

**Panel Length: 61.25"**

**Scale: Do Not Scale**

**Class: Residential**

**Drawn By: FS**

**Date: 12/12/13**