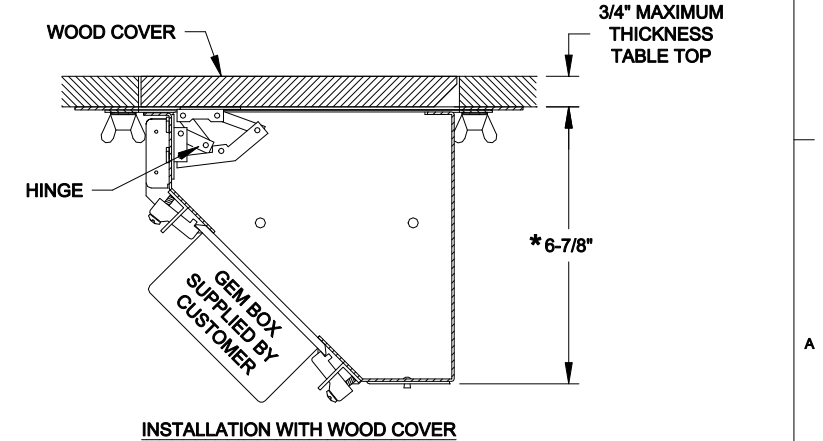
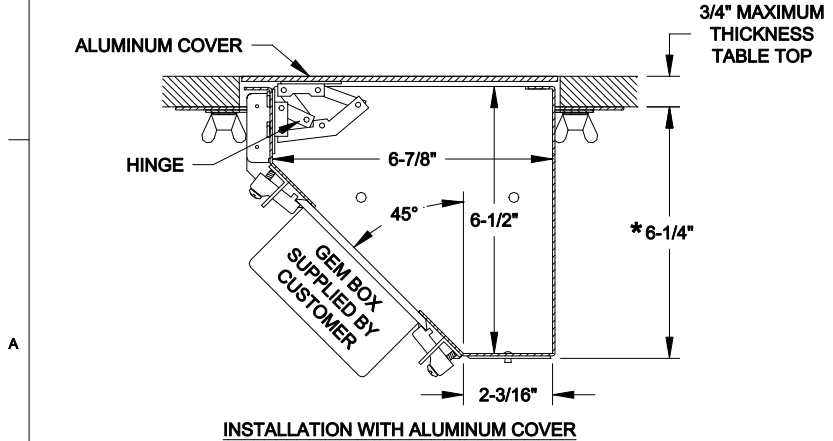


- NOTES:
- 1 ALL DIMENSIONS ARE APPROXIMATE AND USED FOR REFERENCE ONLY.
 - 2 * - THESE DIMENSIONS ARE BASED ON A TABLE SURFACE THICKNESS OF 3/4".



FSR inc. <small>344 BERGEN BLVD. WOODLAND PARK, NJ 07424 TEL: (973) 785-4347 FAX: (973) 785-3318</small>	TITLE: TB-5G TABLE BOX		
	DRAWN BY: JRE	DATE: 12/02/09	REV: -
DWG#: TB-5G		PAGE: 1 OF 1	SCALE: 1:4

4 3 2 1