

**NOT TO SCALE**

**FINISHES:**

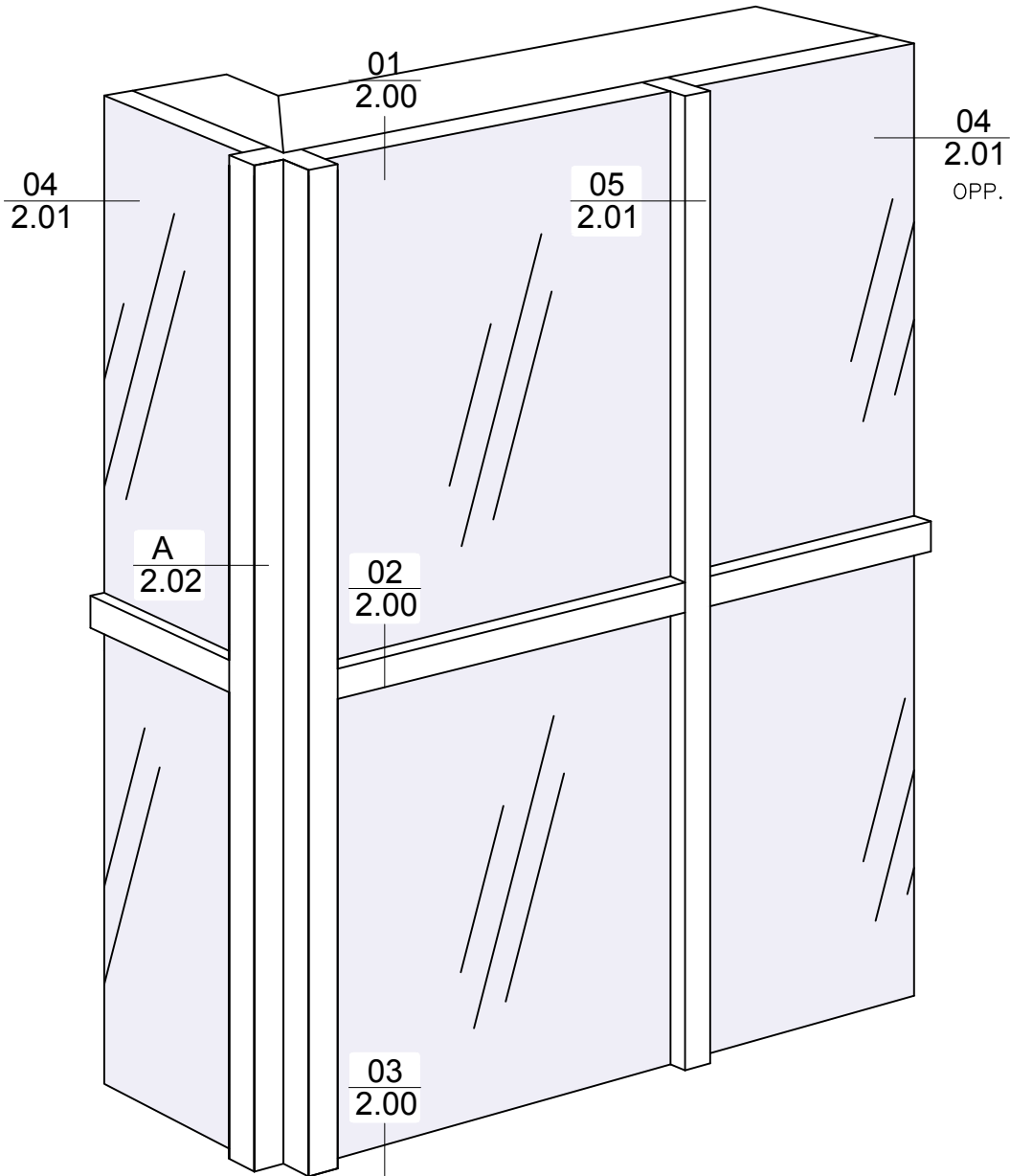
ALUM. - PAINTED or ANODIZED  
 ST. STL. - #4 SATIN, or BRITE  
 SPECIAL - CONTACT FACTORY

**SYSTEM II  
 SERIES-250  
 FLUSH**

FULLER PHOENIX ARCHITECTURAL PRODUCTS

713.699.2262

www.fullerphoenix.com



NOT TO SCALE

FINISHES:

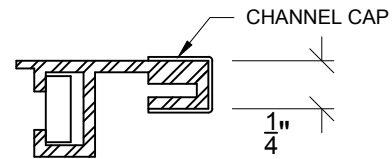
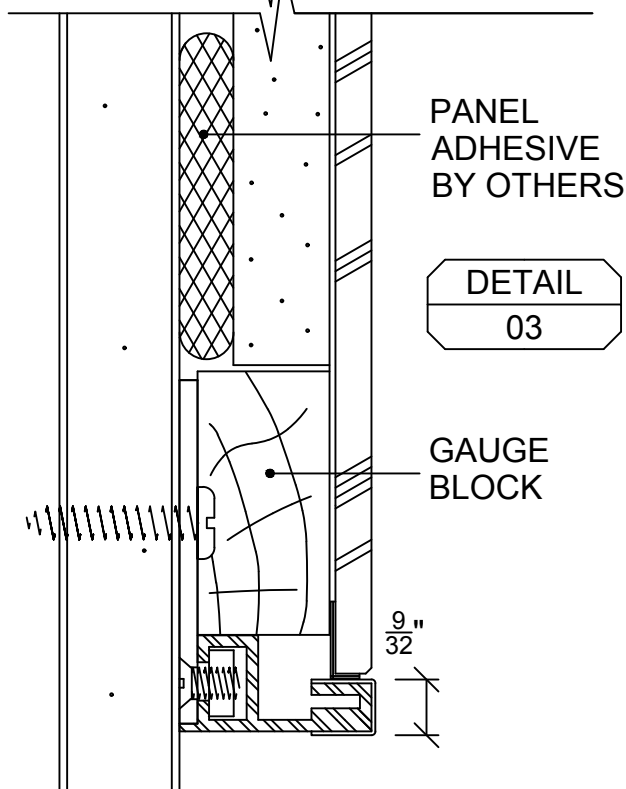
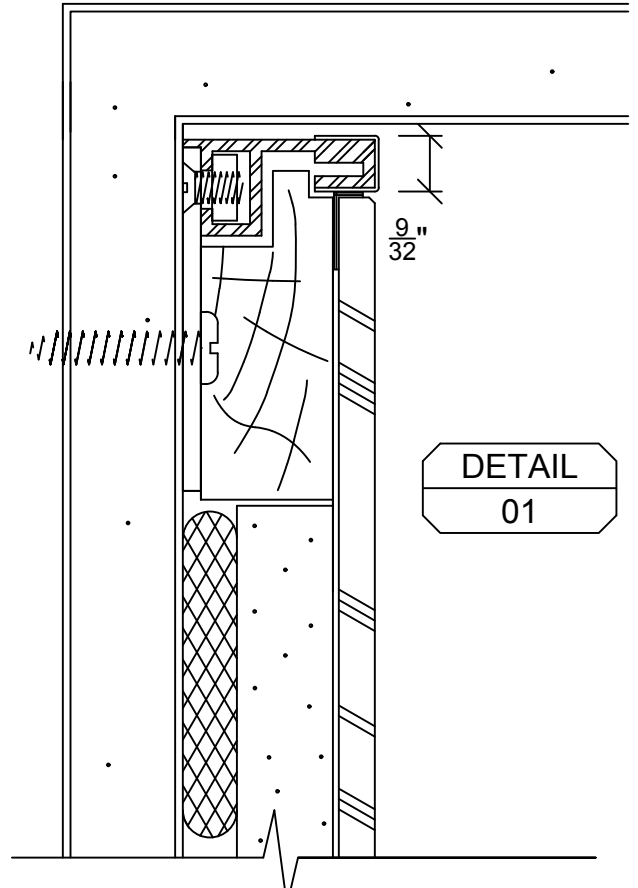
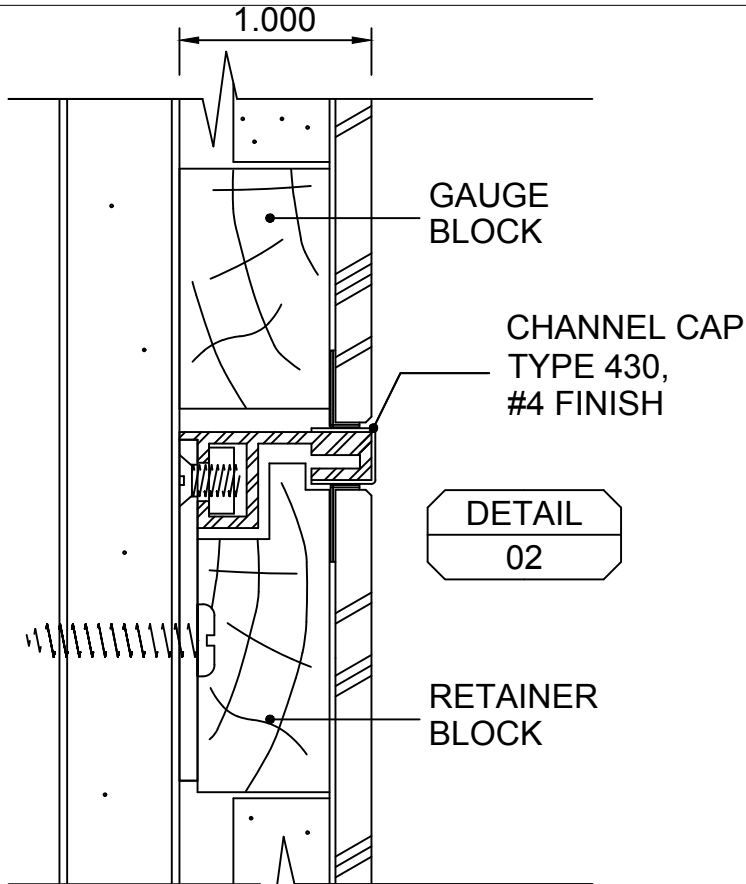
ALUM. - PAINTED or ANODIZED  
ST. STL. - #4 SATIN, or BRITE  
SPECIAL - CONTACT FACTORY

SYSTEM II  
SERIES-250-EX  
EXTENDED

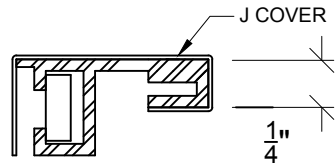
FULLER PHOENIX ARCHITECTURAL PRODUCTS

713.699.2262

www.fullerphoenix.com

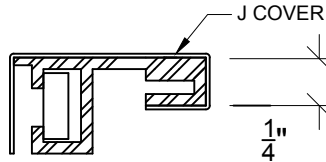
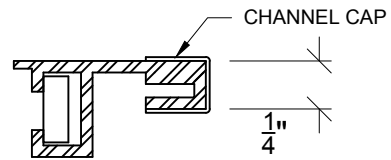
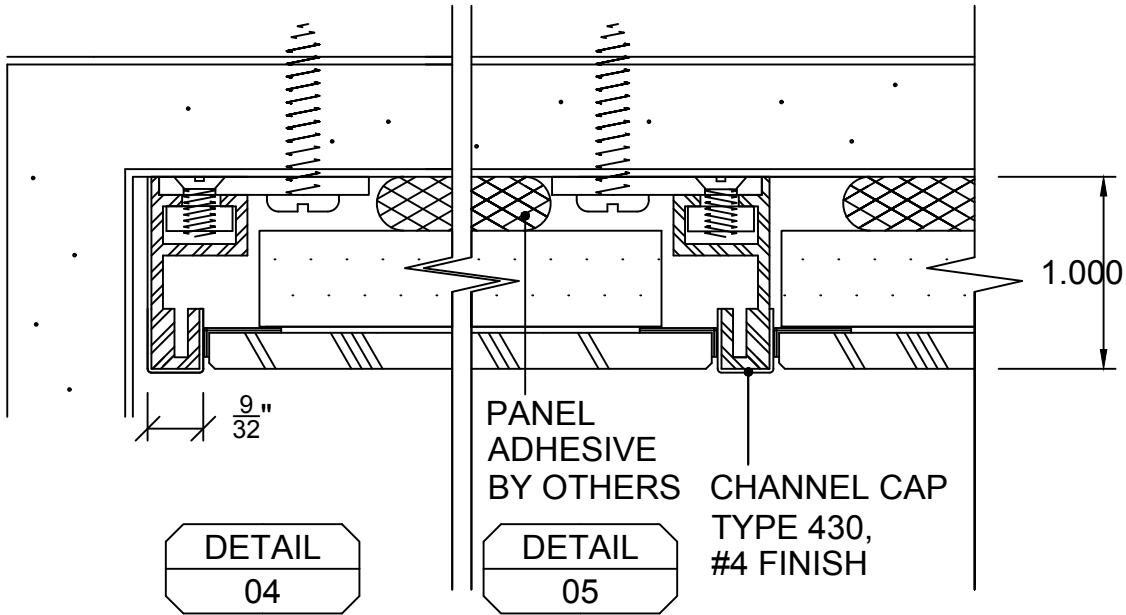


FPX 2SY25 EXTRUSION  
WITH CHANNEL CAP  
SS OR BRASS

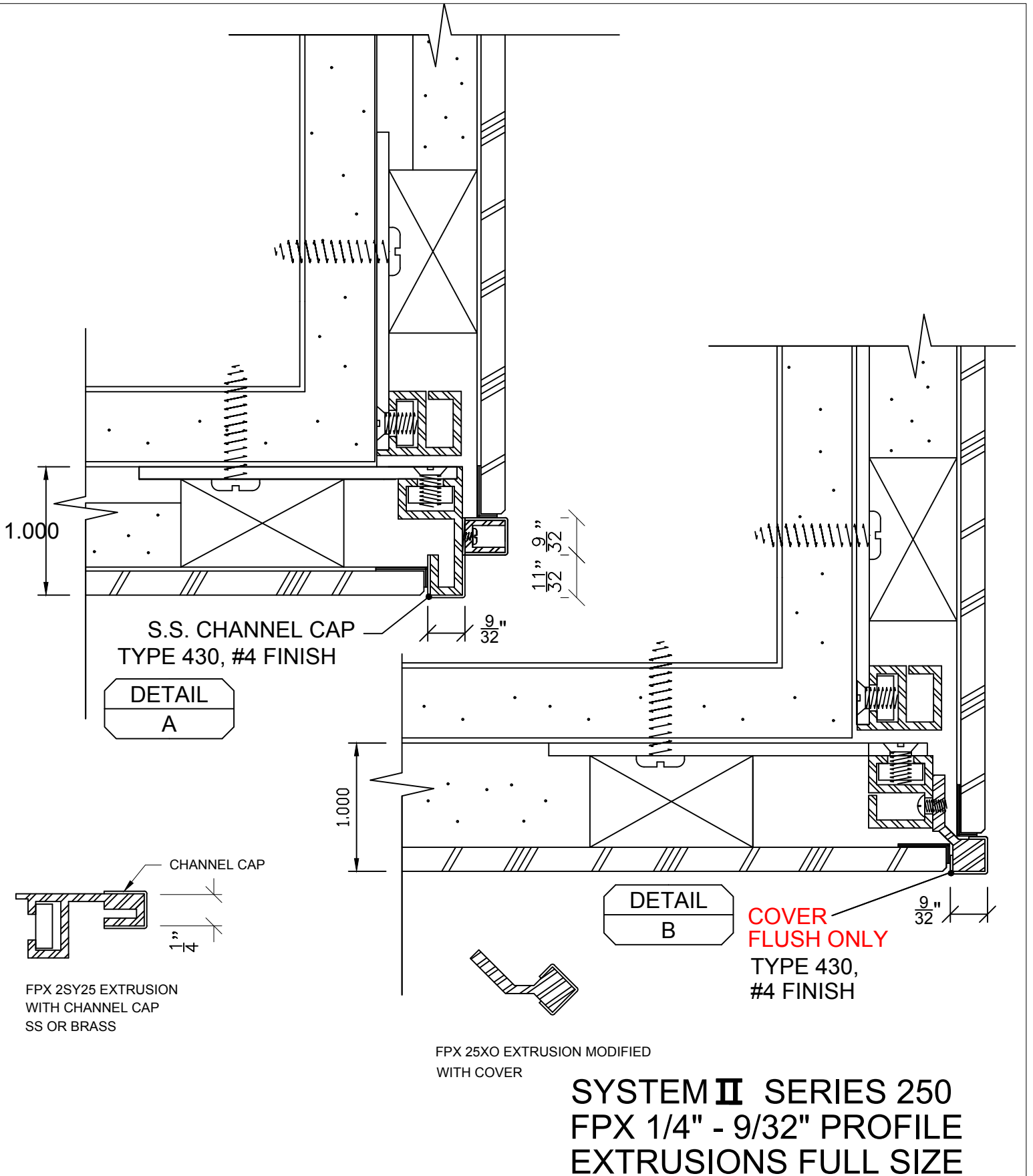


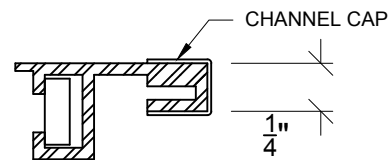
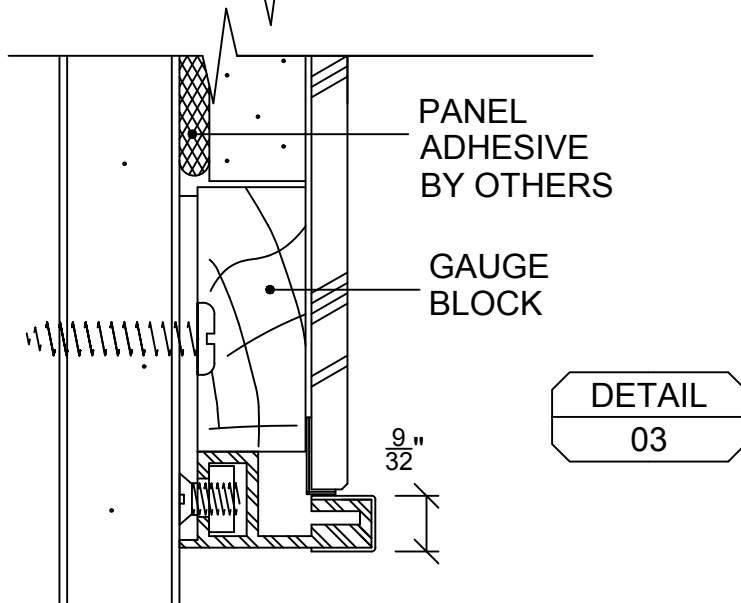
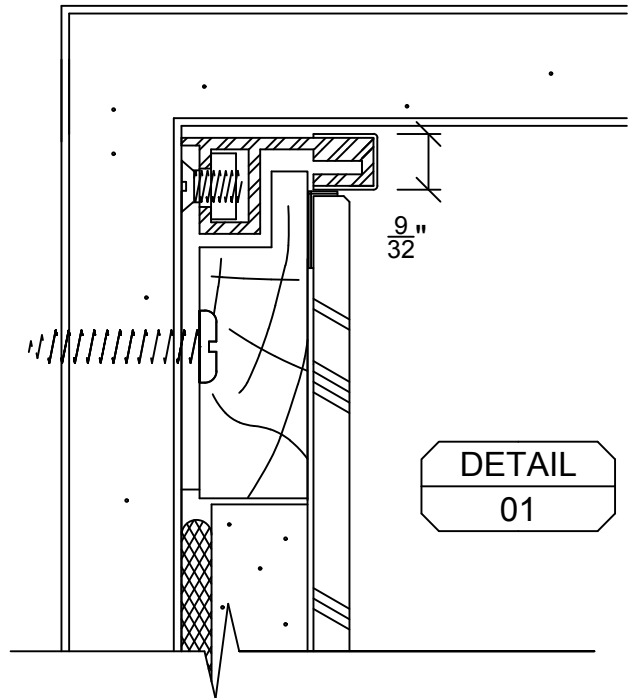
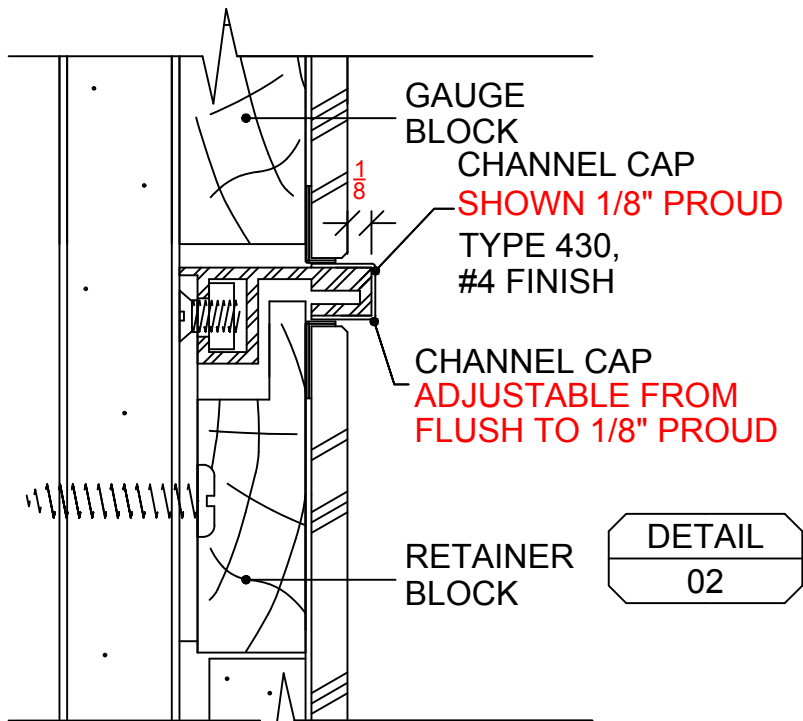
FPX 2SY25 EXTRUSION  
WITH J COVER

**SYSTEM II SERIES 250**  
**FPX 1/4" - 9/32" PROFILE**  
**EXTRUSIONS FULL SIZE**

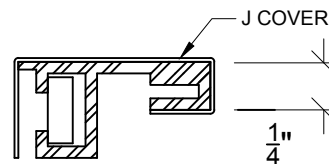


**SYSTEM II SERIES 250**  
**FPX 1/4" - 9/32" PROFILE**  
**EXTRUSIONS FULL SIZE**



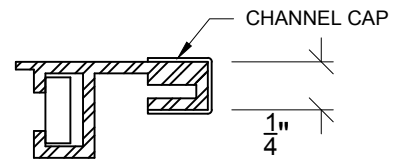
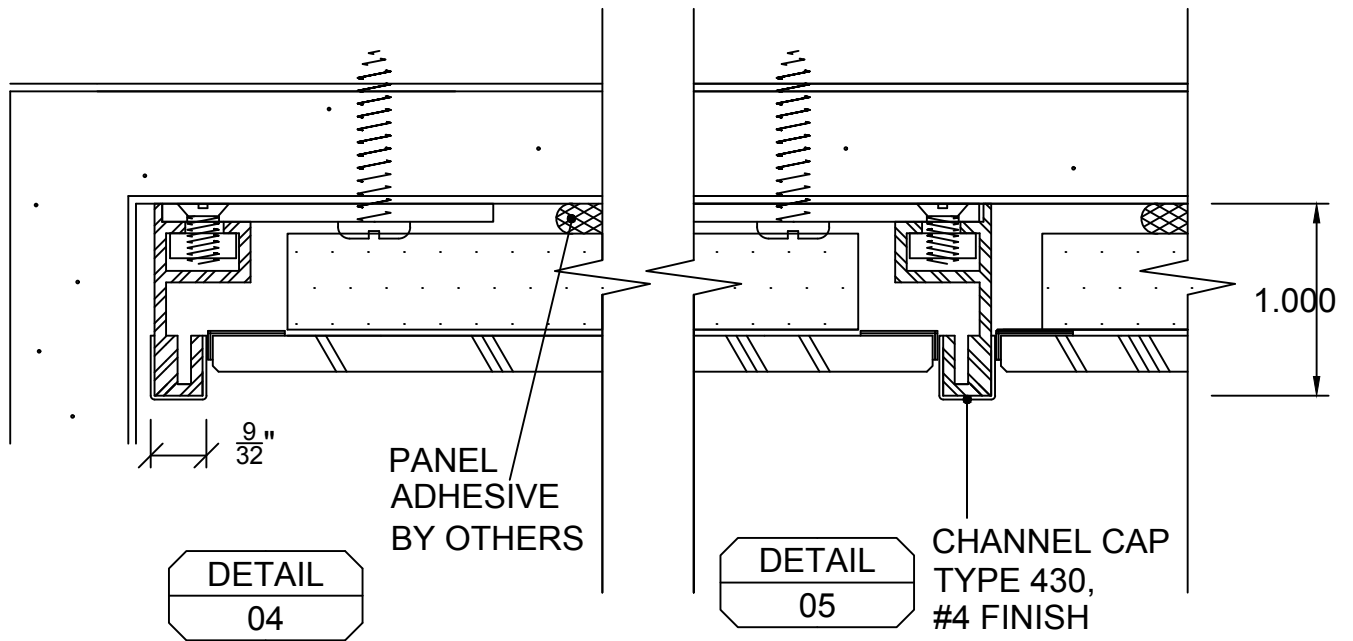


FPX 2SY25 EXTRUSION  
WITH CHANNEL CAP  
SS OR BRASS

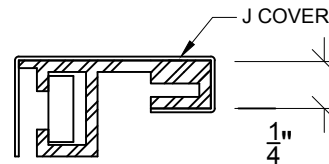


FPX 2SY25 EXTRUSION  
WITH J COVER

**SYSTEM II** SERIES 250-EX  
FPX 1/4" - 9/32" PROFILE  
EXTRUSIONS FULL SIZE

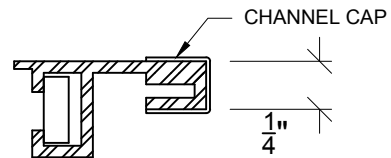
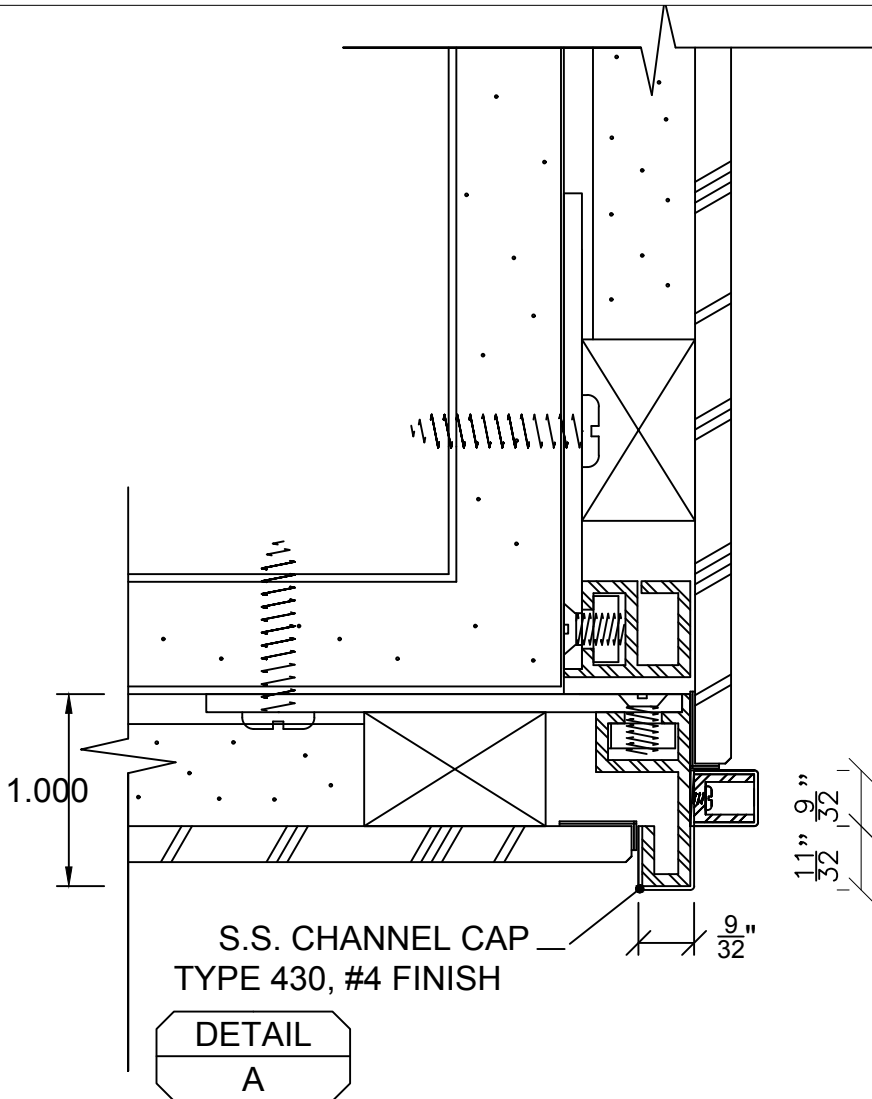


FPX 2SY25 EXTRUSION WITH CHANNEL CAP  
SS OR BRASS

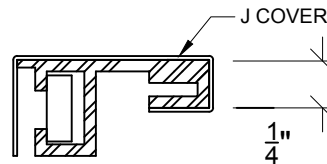


FPX 2SY25 EXTRUSION WITH J COVER

**SYSTEM II** SERIES 250-EX  
**FPX 1/4" - 9/32" PROFILE EXTRUSIONS FULL SIZE**



FPX 2SY25 EXTRUSION  
WITH CHANNEL CAP  
SS OR BRASS



FPX 2SY25 EXTRUSION  
WITH J COVER

**SYSTEM II** SERIES 250-EX  
FPX 1/4" - 9/32" PROFILE  
EXTRUSIONS FULL SIZE