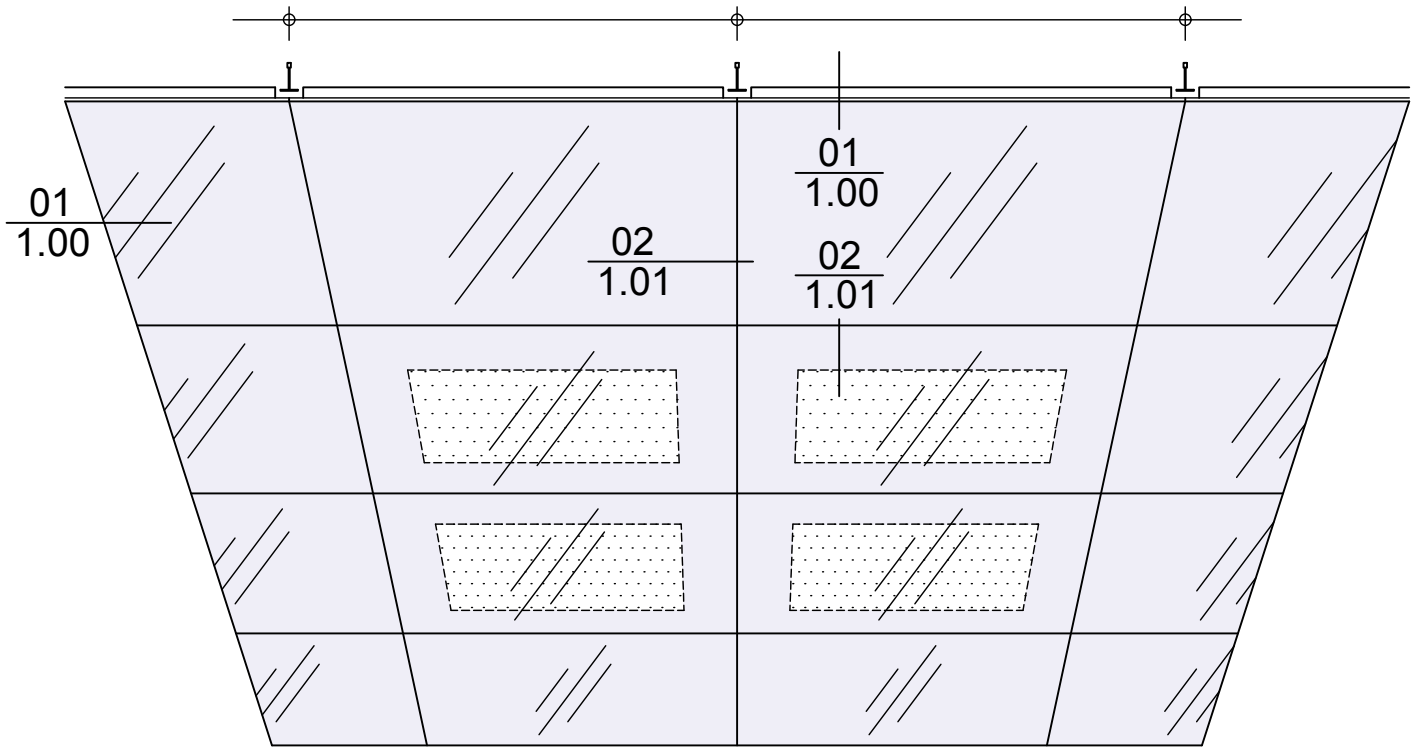


CROSS JOINTS ABUTTED - SPECIFY LENGTH OF TILE
 SPECIFY CENTERS FOR STANDARD OR CUSTOM GRID MAIN TEES



OPTIONAL TRANSLUCENT AREAS IN TILE
 SPECIFY LOCATION, SIZE & SHAPE

CG Series - Concealed Grid
 SPECIFY - DESIGN SHAPES & SIZES

FPX CONCEALED GRID
 NOT TO SCALE

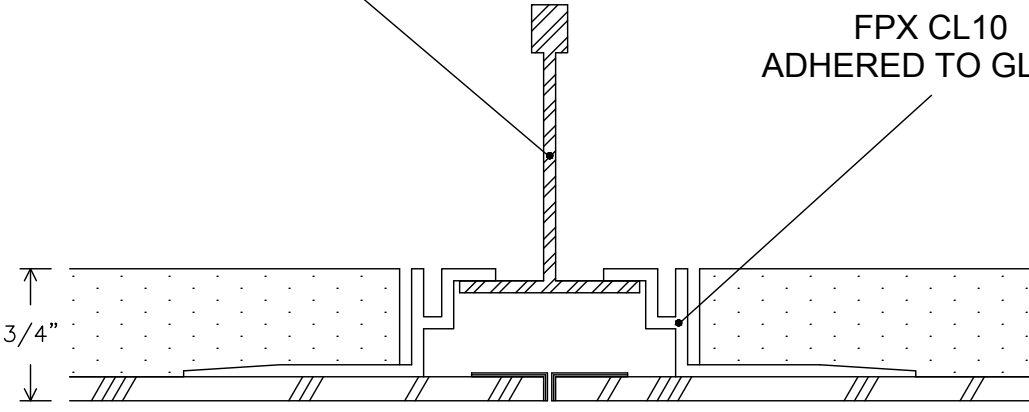
FULLER PHOENIX ARCHITECTURAL PRODUCTS

713.699.2262

www.fullerphoenix.com

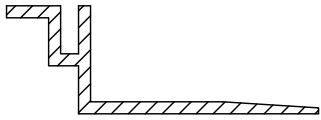
CEILING GRID SYSTEM
BY OTHERS

FPX CL10
ADHERED TO GLASS



REVEAL →|← 1/16"min. to 1/2"max.

DETAIL
01

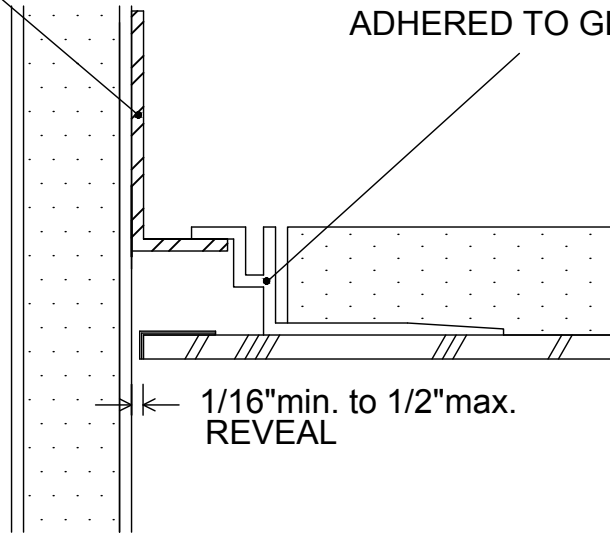


FPX CL10 EXTRUSION

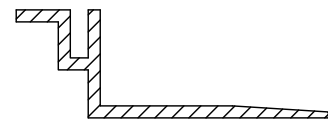
FPX CONCEALED GRID SYSTEM
EXTRUSIONS FULL SIZE

CEILING GRID SYSTEM
BY OTHERS

FPX CL10
ADHERED TO GLASS



DETAIL
02



FPX CL10 EXTRUSION

FPX CONCEALED GRID SYSTEM
EXTRUSIONS FULL SIZE