

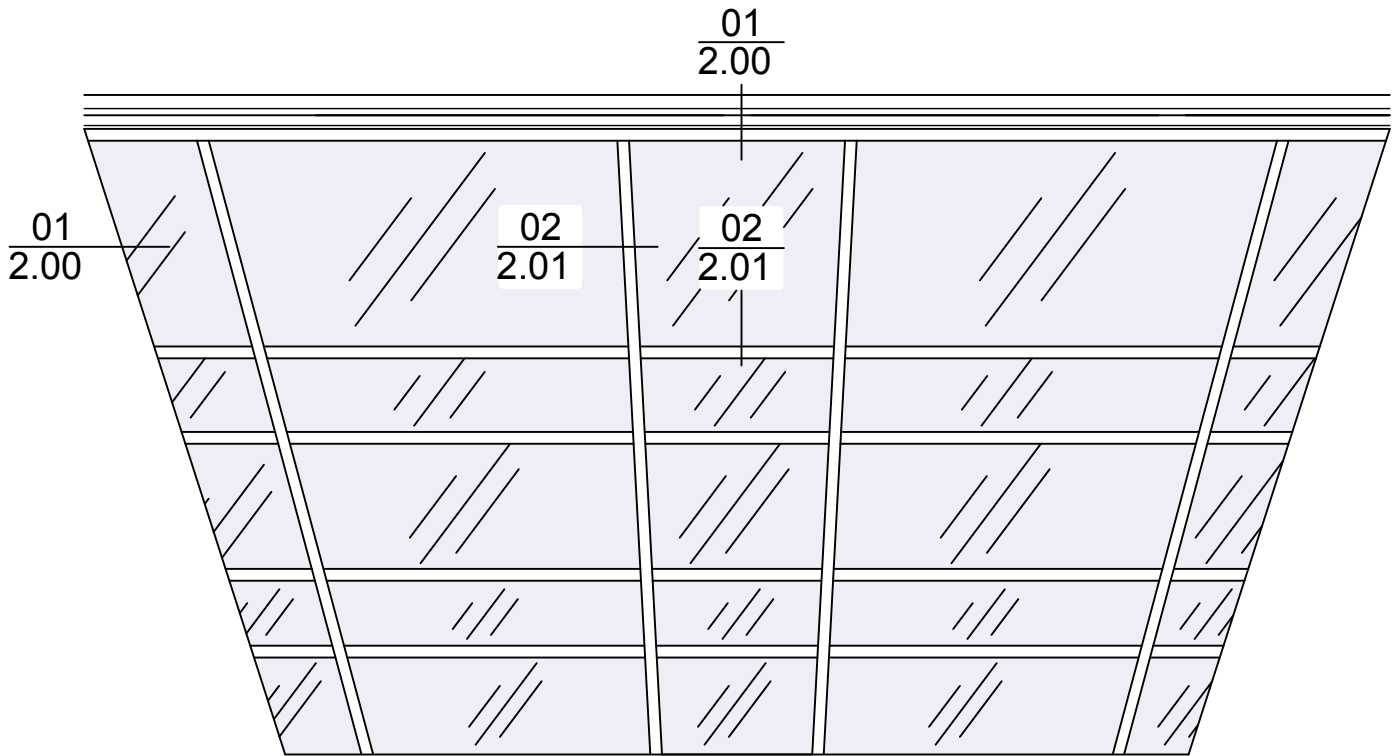
NOT TO SCALE

SYSTEM **I**  
SERIES-060  
ABUTTED

FULLER PHOENIX ARCHITECTURAL PRODUCTS

713.699.2262

[www.fullerphoenix.com](http://www.fullerphoenix.com)



NOT TO SCALE

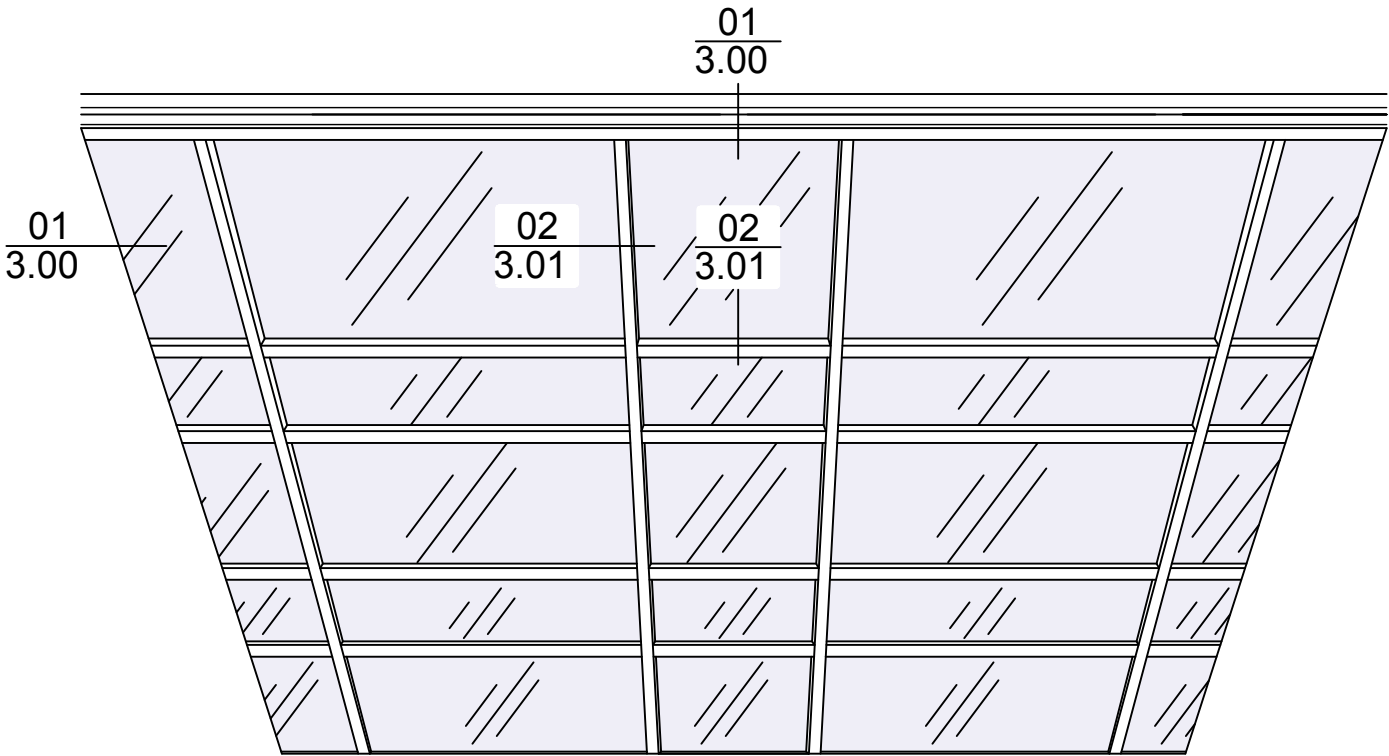
FINISHES:  
 ALUM. - PAINTED or ANODIZED  
 ST. STL. - #4 SATIN, or BRITE  
 SPECIAL - CONTACT FACTORY

SYSTEM **I**  
 SERIES-125  
 FLUSH

FULLER PHOENIX ARCHITECTURAL PRODUCTS

713.699.2262

www.fullerphoenix.com



NOT TO SCALE

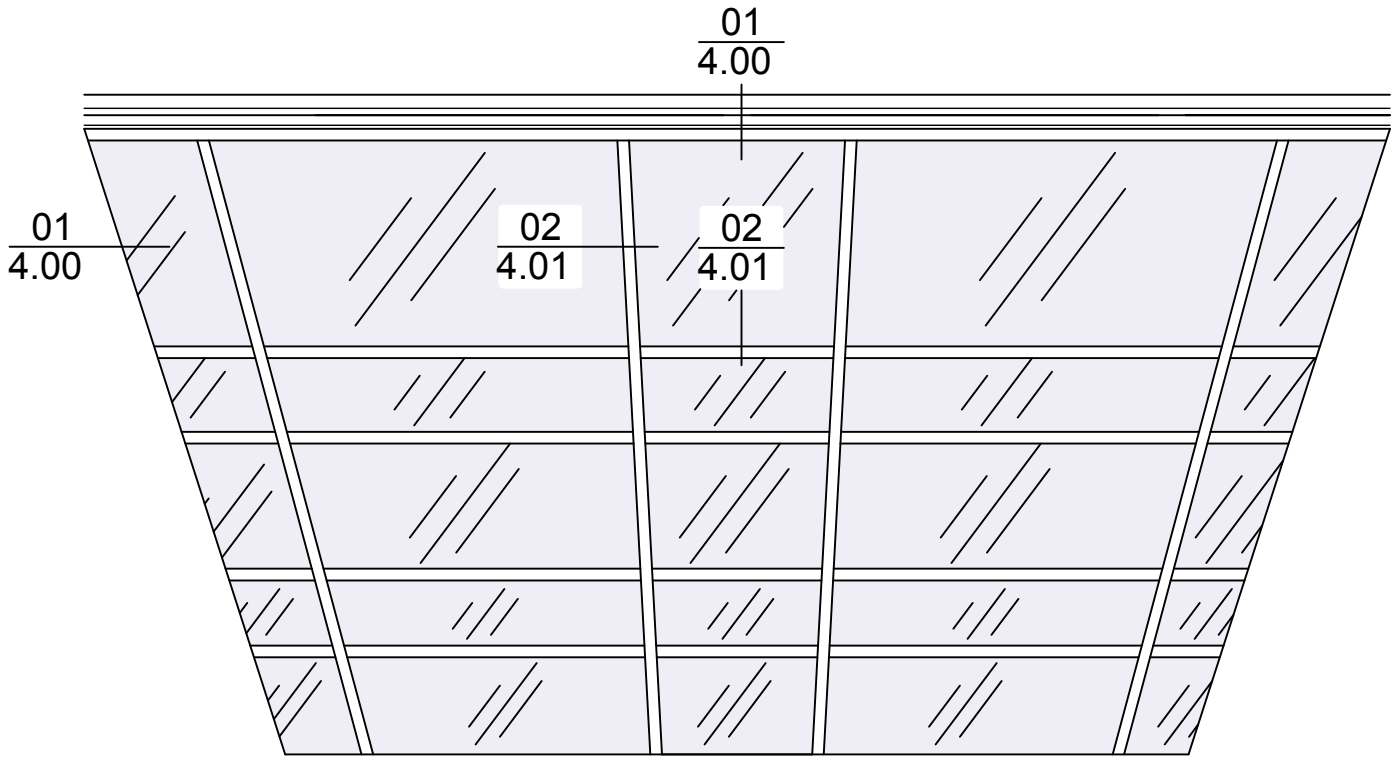
FINISHES:  
 ALUM. - PAINTED or ANODIZED  
 ST. STL. - #4 SATIN, or BRITE  
 SPECIAL - CONTACT FACTORY

SYSTEM **I**  
 SERIES-125 EX  
 EXTENDED

FULLER PHOENIX ARCHITECTURAL PRODUCTS

713.699.2262

www.fullerphoenix.com



NOT TO SCALE

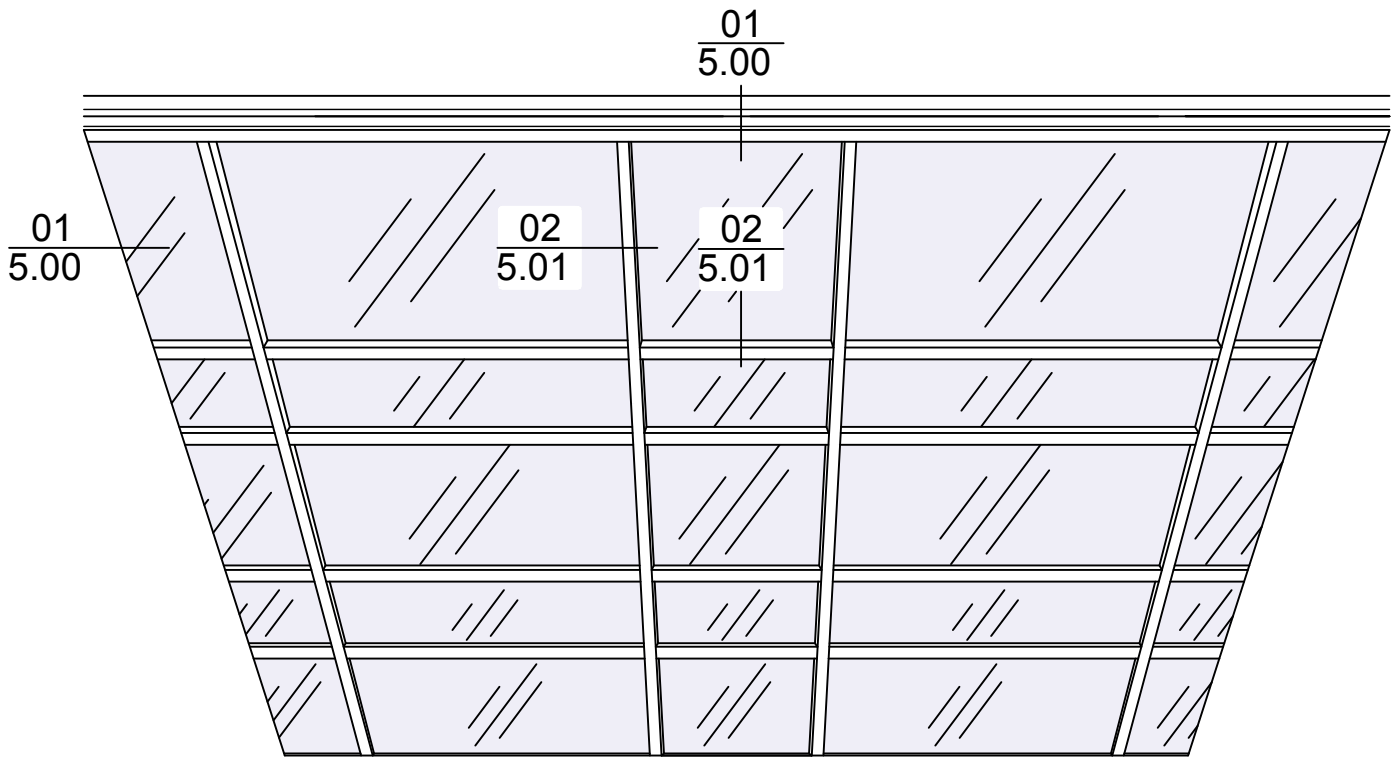
FINISHES:  
 ALUM. - PAINTED or ANODIZED  
 ST. STL. - #4 SATIN, or BRITE  
 SPECIAL - CONTACT FACTORY

SYSTEM **I**  
 SERIES-250  
 FLUSH

FULLER PHOENIX ARCHITECTURAL PRODUCTS

713.699.2262

www.fullerphoenix.com



NOT TO SCALE

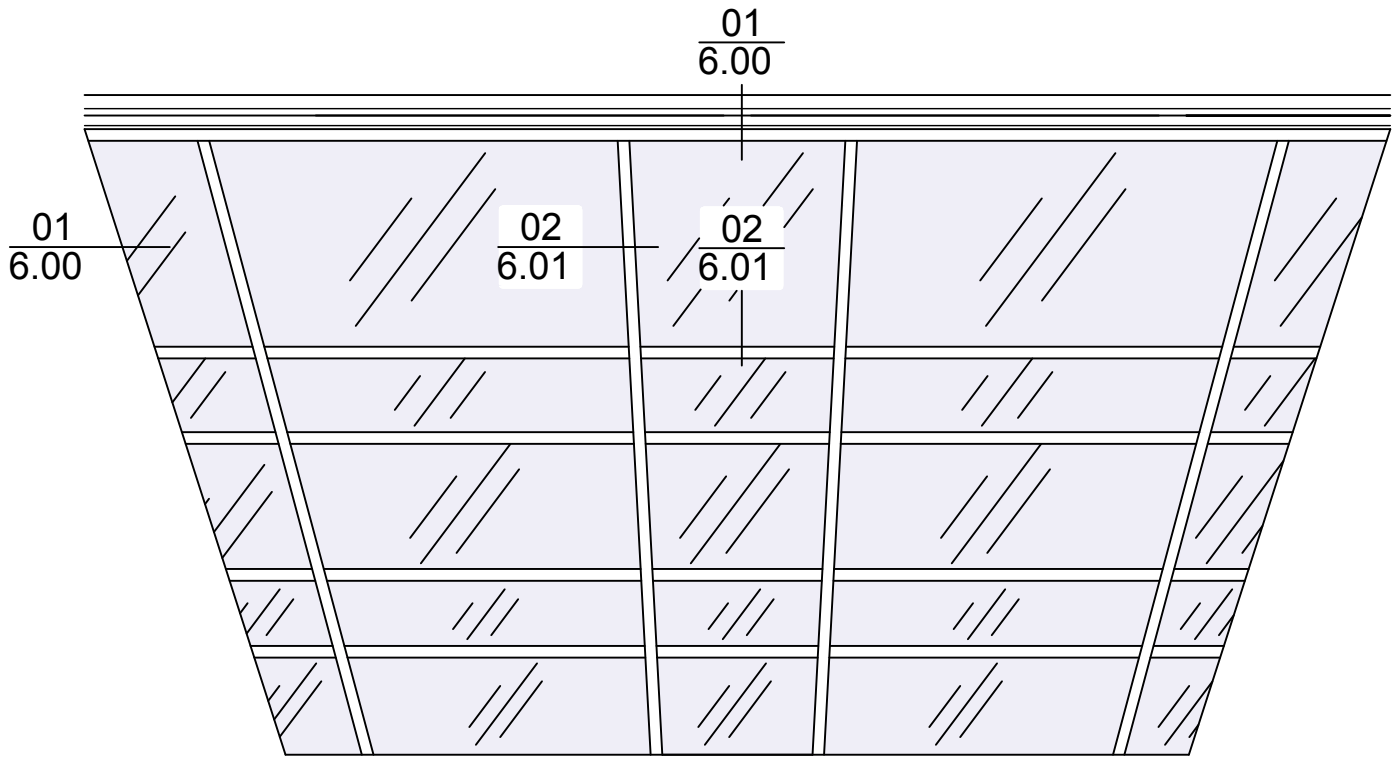
FINISHES:  
 ALUM. - PAINTED or ANODIZED  
 ST. STL. - #4 SATIN, or BRITE  
 SPECIAL - CONTACT FACTORY

SYSTEM **I**  
 SERIES-250 EX  
 EXTENDED

FULLER PHOENIX ARCHITECTURAL PRODUCTS

713.699.2262

www.fullerphoenix.com



NOT TO SCALE

FINISHES:

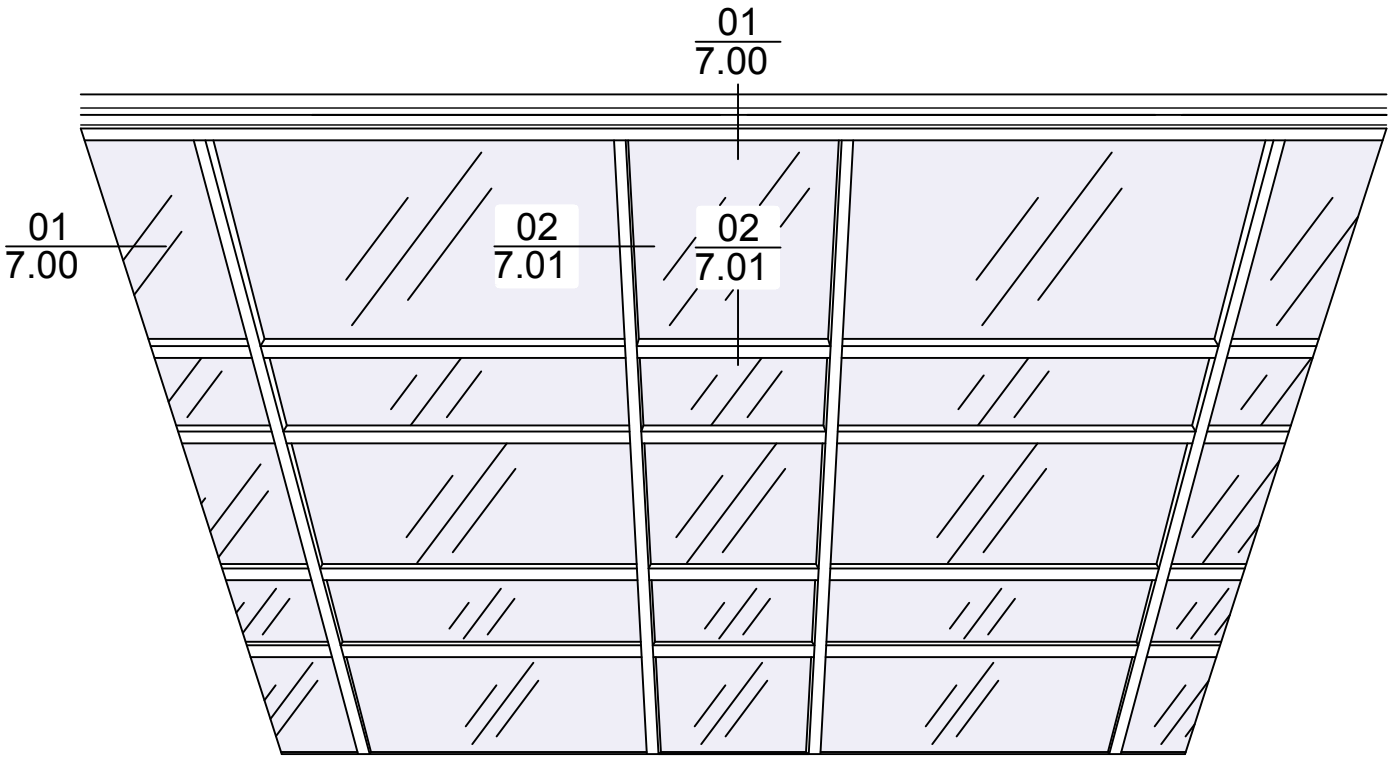
ST. STL. - #4 SATIN, or BRITE  
SPECIAL - CONTACT FACTORY

SYSTEM **I**  
SERIES-500  
FLUSH

FULLER PHOENIX ARCHITECTURAL PRODUCTS

713.699.2262

www.fullerphoenix.com



NOT TO SCALE

FINISHES:

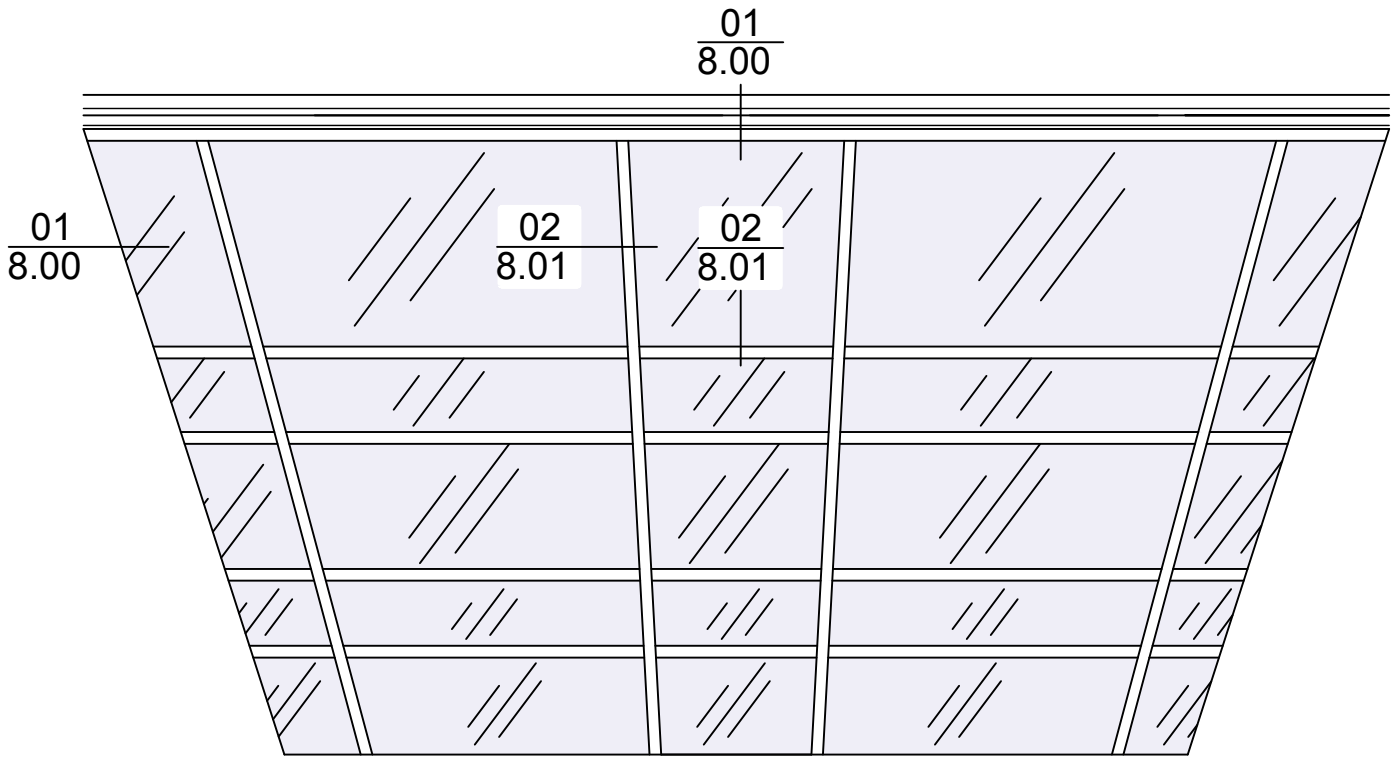
ST. STL. - #4 SATIN, or BRITE  
 SPECIAL - CONTACT FACTORY

SYSTEM **I**  
 SERIES-500 EX  
 EXTENDED

FULLER PHOENIX ARCHITECTURAL PRODUCTS

713.699.2262

www.fullerphoenix.com



NOT TO SCALE

FINISHES:

ST. STL. - #4 SATIN  
 SPECIAL - CONTACT FACTORY

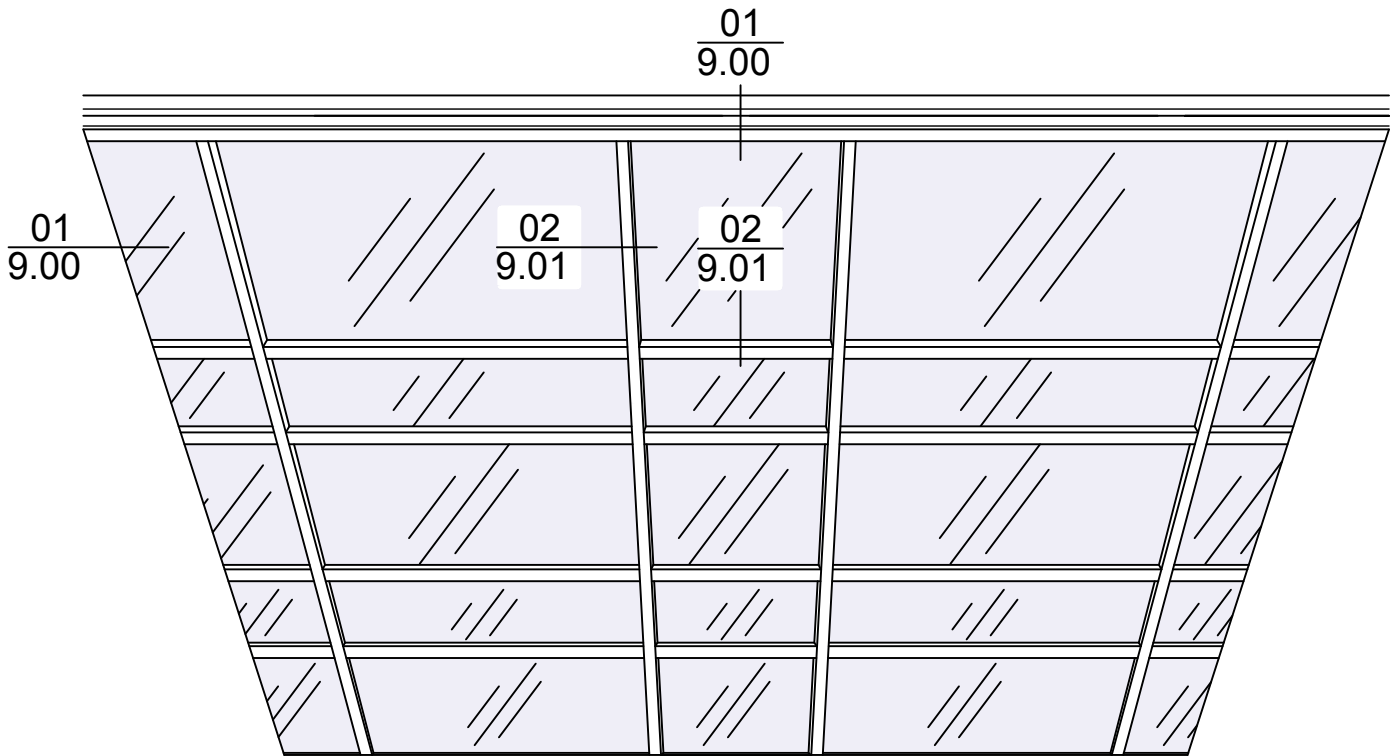
SYSTEM **I**  
 SERIES-1000  
 FLUSH

FULLER PHOENIX ARCHITECTURAL PRODUCTS

713.699.2262

www.fullerphoenix.com





NOT TO SCALE

FINISHES:

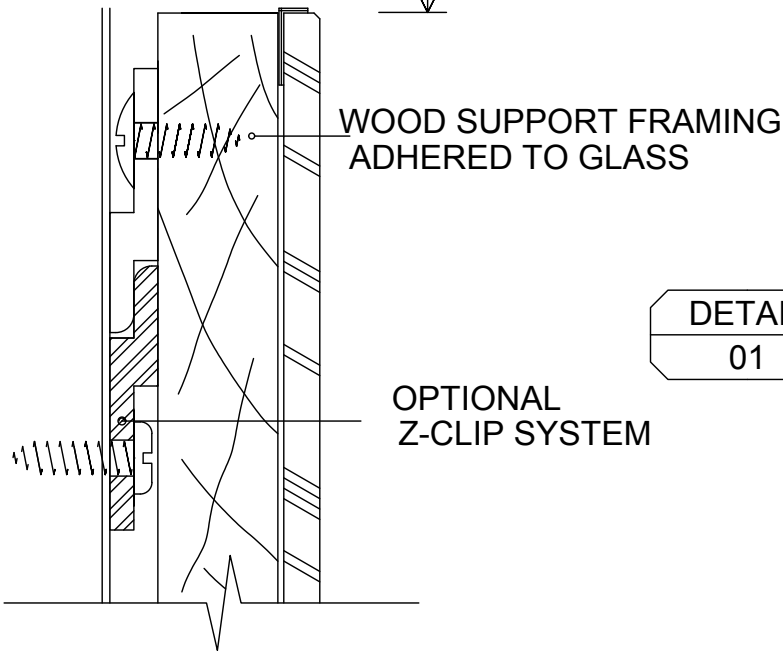
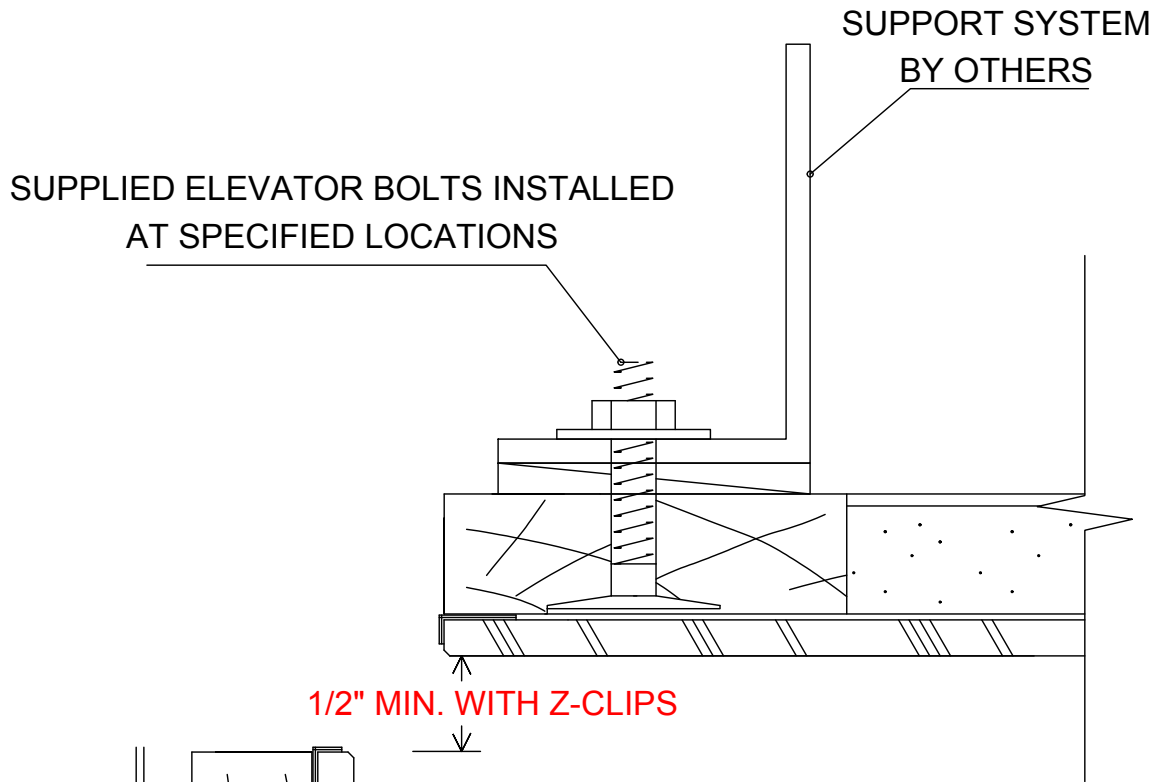
ST. STL. - #4 SATIN  
 SPECIAL - CONTACT FACTORY

SYSTEM **I**  
 SERIES-1000 EX  
 EXTENDED

FULLER PHOENIX ARCHITECTURAL PRODUCTS

713.699.2262

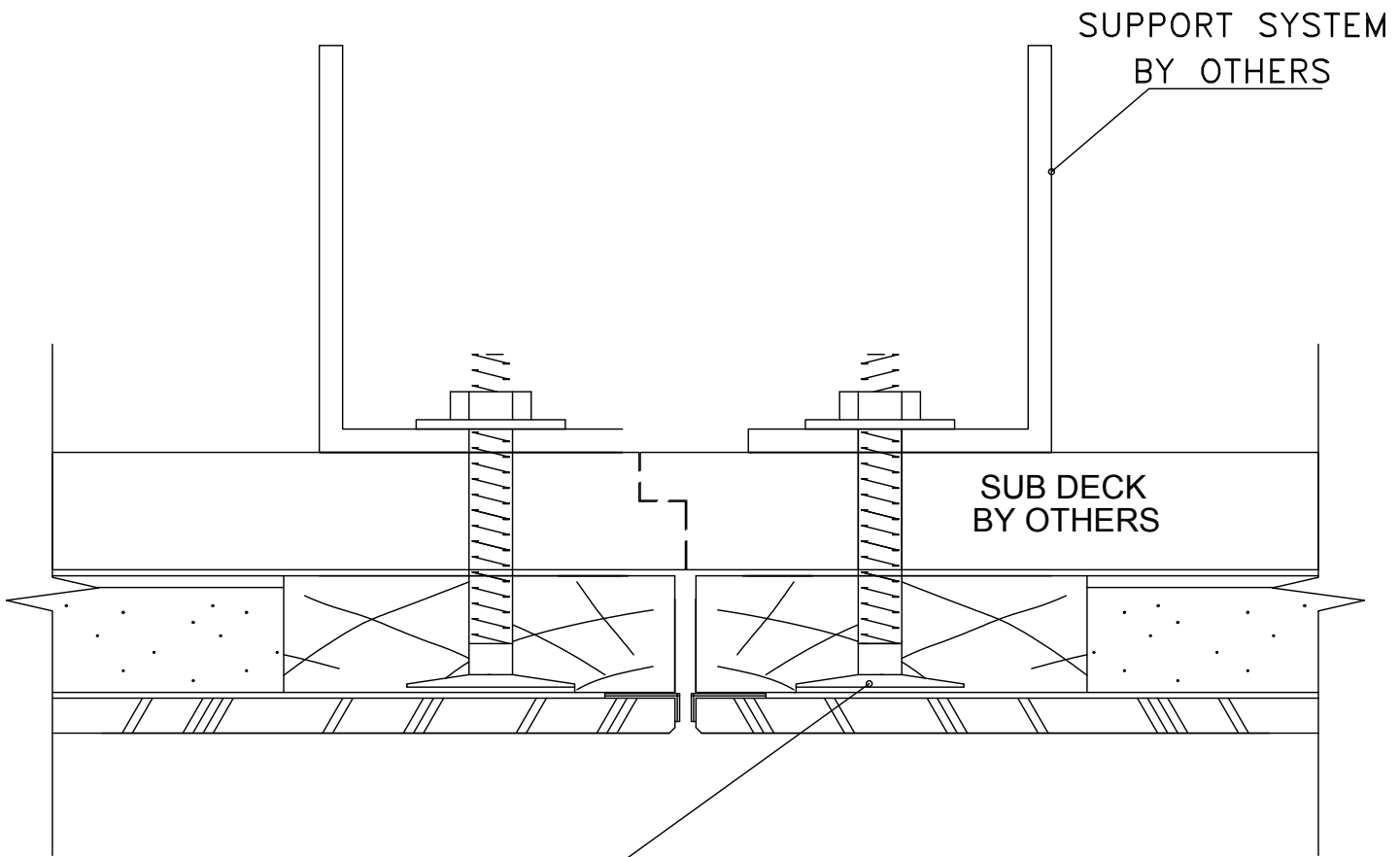
www.fullerphoenix.com



DETAIL  
01

SYSTEM I SERIES 060  
FPX ABUTTED PROFILE  
EXTRUSIONS FULL SIZE

FOR MORE ABOUT FPX WALL PANELS  
PLEASE SEE OUR WALL PANEL SECTION



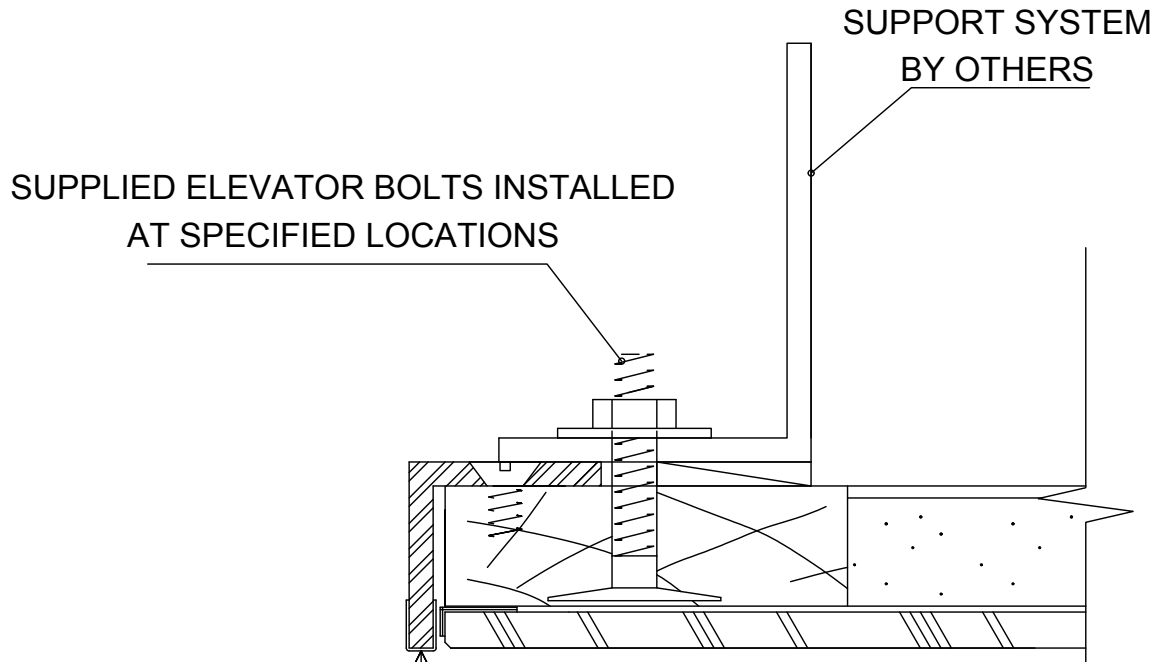
SUPPLIED ELEVATOR BOLTS INSTALLED  
AT SPECIFIED LOCATIONS

DETAIL  
02

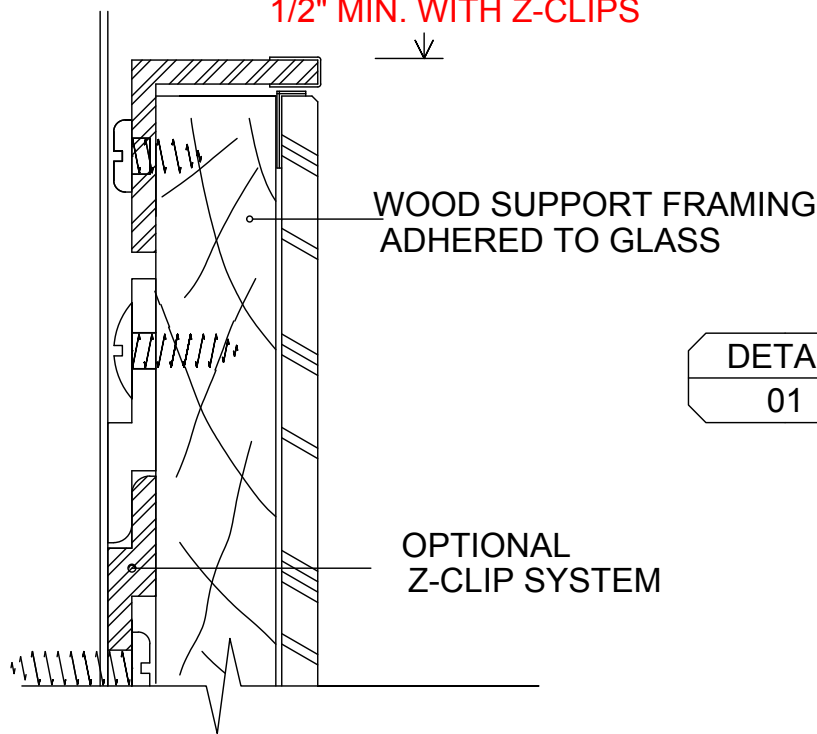
SYSTEM I SERIES 060  
FPX ABUTTED PROFILE  
EXTRUSIONS FULL SIZE

FULLER PHOENIX ARCHITECTURAL PRODUCTS

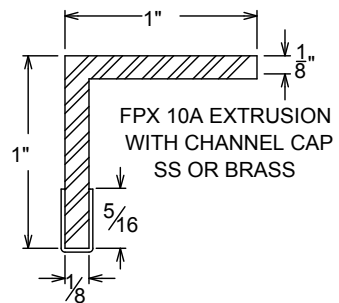
1.01



1/2" MIN. WITH Z-CLIPS

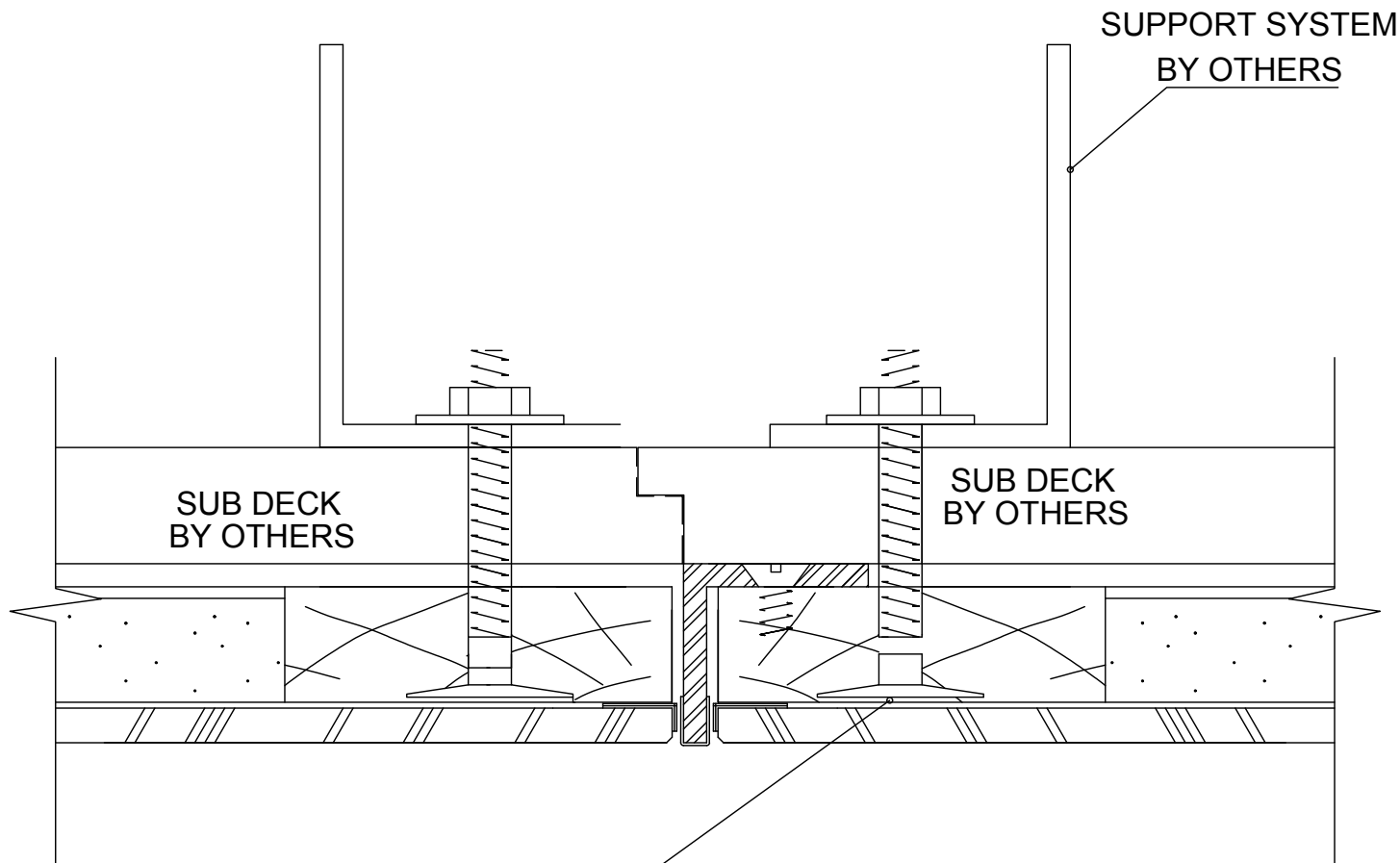


DETAIL  
01



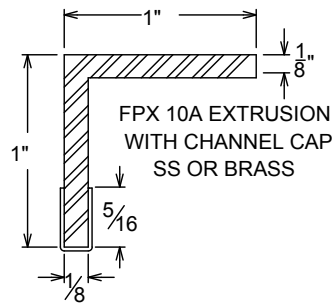
SYSTEM I SERIES 125  
FPX 1/8" - 5/32" PROFILE  
EXTRUSIONS FULL SIZE

FOR MORE ABOUT FPX WALL PANELS  
PLEASE SEE OUR WALL PANEL SECTION



SUPPLIED ELEVATOR BOLTS INSTALLED  
AT SPECIFIED LOCATIONS

DETAIL  
02



SYSTEM I SERIES 125  
FPX 1/8" - 5/32" PROFILE  
EXTRUSIONS FULL SIZE

SUPPLIED ELEVATOR BOLTS INSTALLED  
AT SPECIFIED LOCATIONS

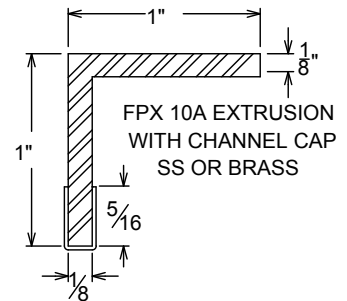
SUPPORT SYSTEM  
BY OTHERS

1/2" MIN. WITH Z-CLIPS

WOOD SUPPORT FRAMING  
ADHERED TO GLASS

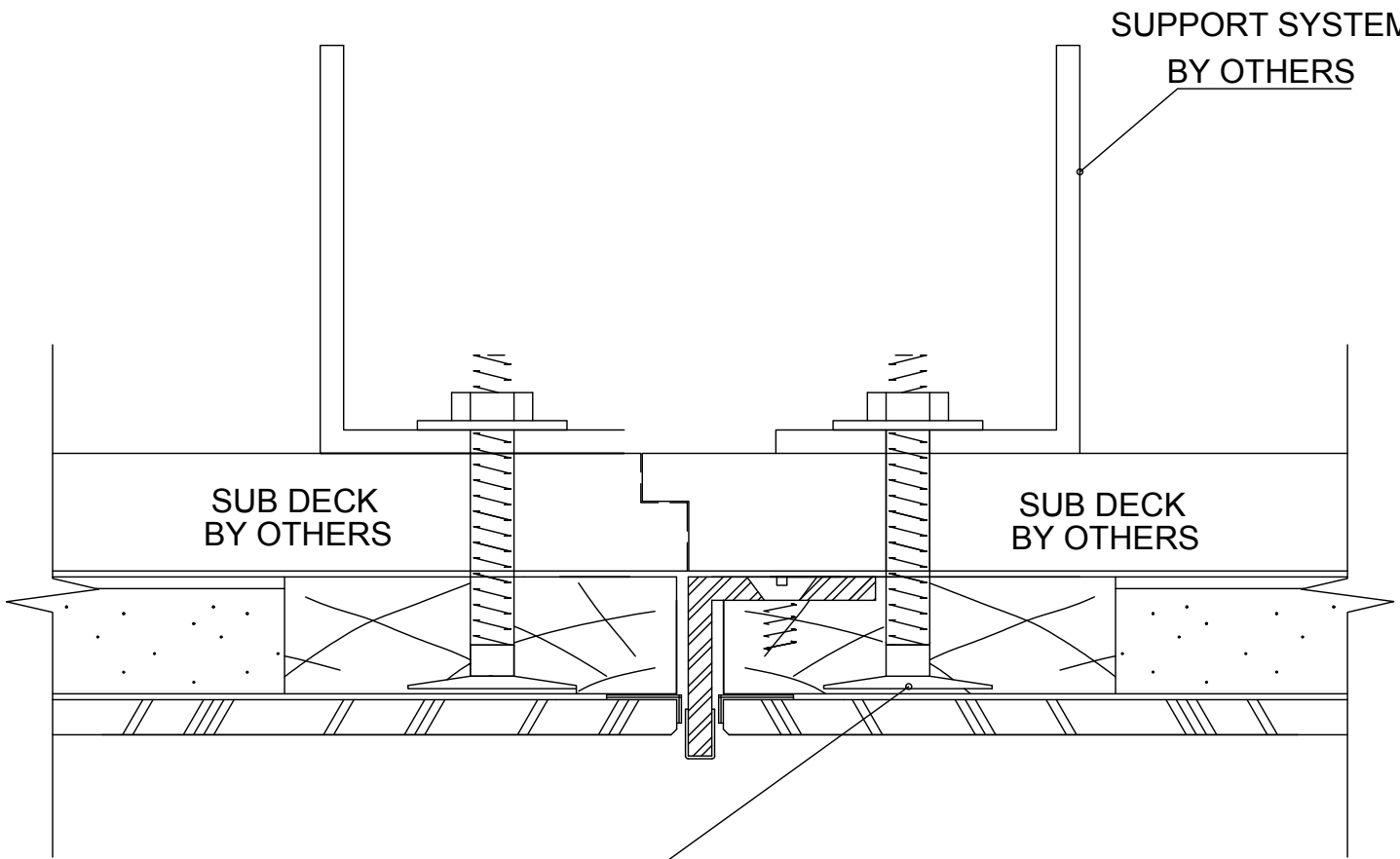
OPTIONAL  
Z-CLIP SYSTEM  
MORTISED 1/8"

DETAIL  
01



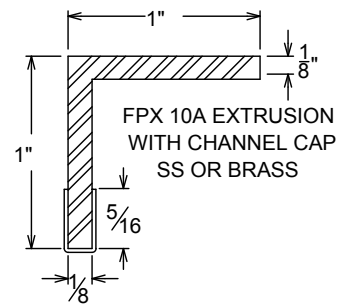
SYSTEM I SERIES 125-EX  
FPX 1/8" - 5/32" PROFILE  
EXTRUSIONS FULL SIZE

FOR MORE ABOUT FPX WALL PANELS  
PLEASE SEE OUR WALL PANEL SECTION



SUPPLIED ELEVATOR BOLTS INSTALLED  
AT SPECIFIED LOCATIONS

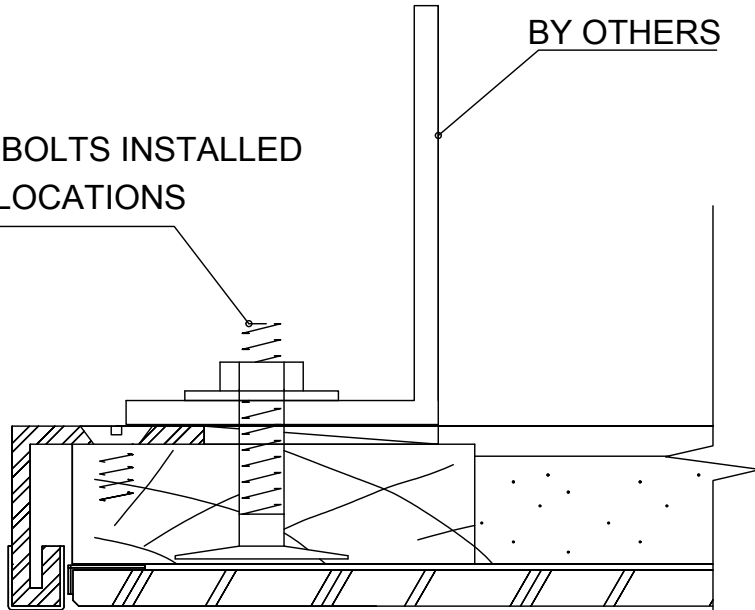
DETAIL  
02



SYSTEM I SERIES 125-EX  
FPX 1/8" - 5/32" PROFILE  
EXTRUSIONS FULL SIZE

SUPPORT SYSTEM  
BY OTHERS

SUPPLIED ELEVATOR BOLTS INSTALLED  
AT SPECIFIED LOCATIONS



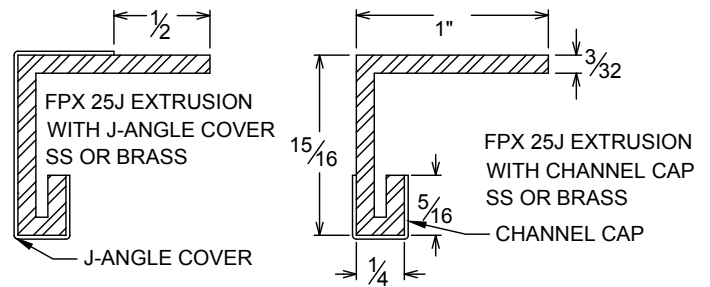
1/2" MIN. WITH Z-CLIPS

FPX 25J W/ ST.STL.  
CHANNEL CAP  
TYPE 430, #4 FINISH

OPTIONAL  
Z-CLIP SYSTEM

B.O.

DETAIL  
01



FOR MORE ABOUT FPX WALL PANELS  
PLEASE SEE OUR WALL PANEL SECTION

SYSTEM I SERIES 250  
FPX 1/4" - 9/32" PROFILE  
EXTRUSIONS FULL SIZE

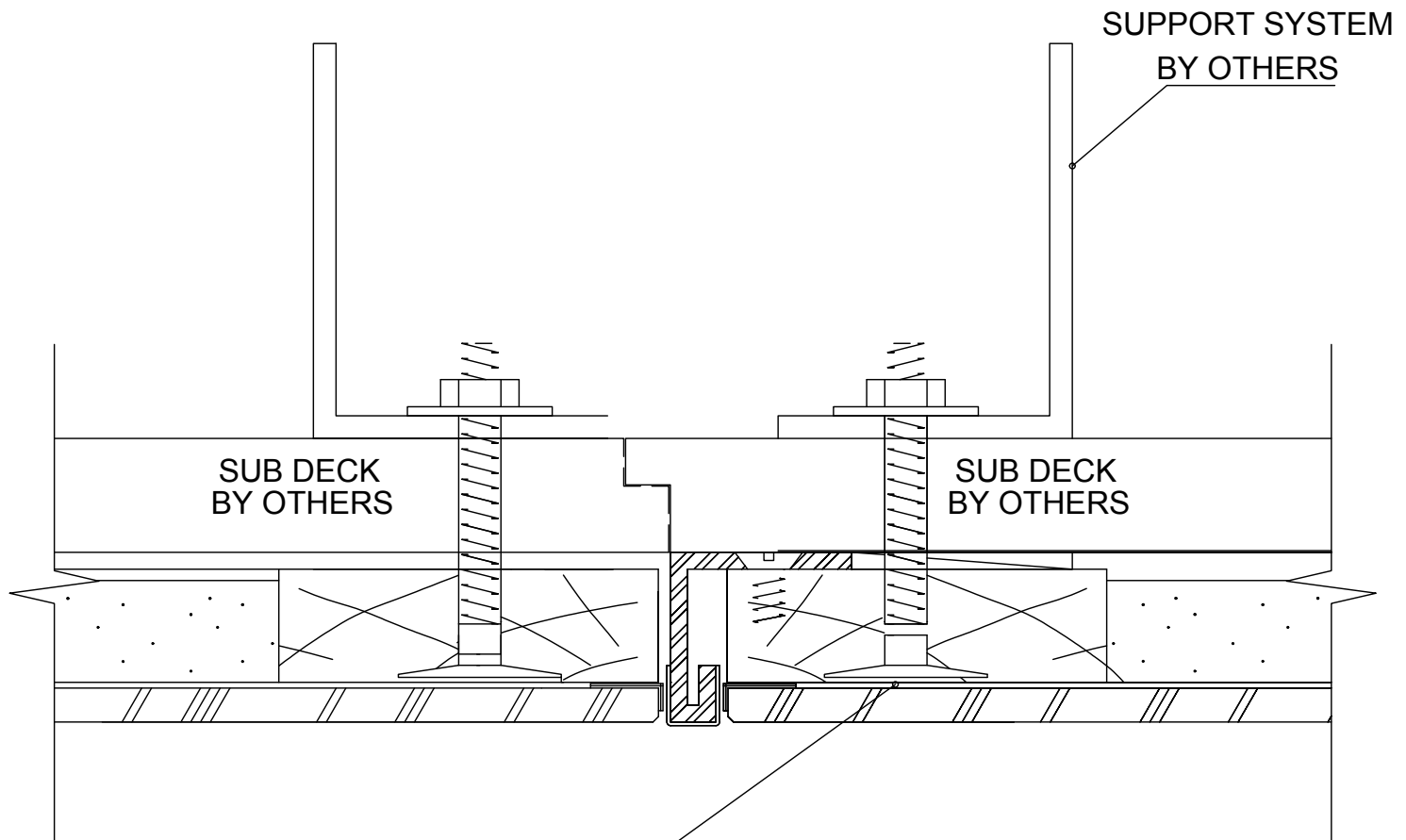
FULLER PHOENIX ARCHITECTURAL PRODUCTS

4.00

713.699.2262

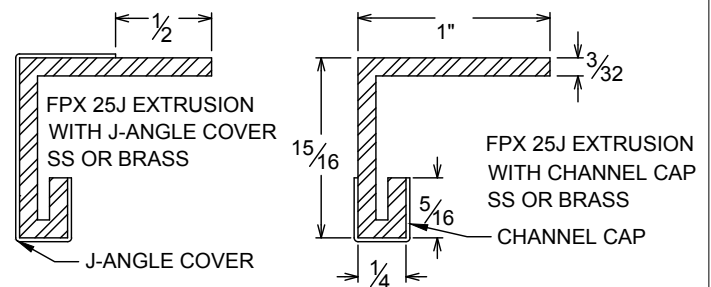
www.fullerphoenix.com



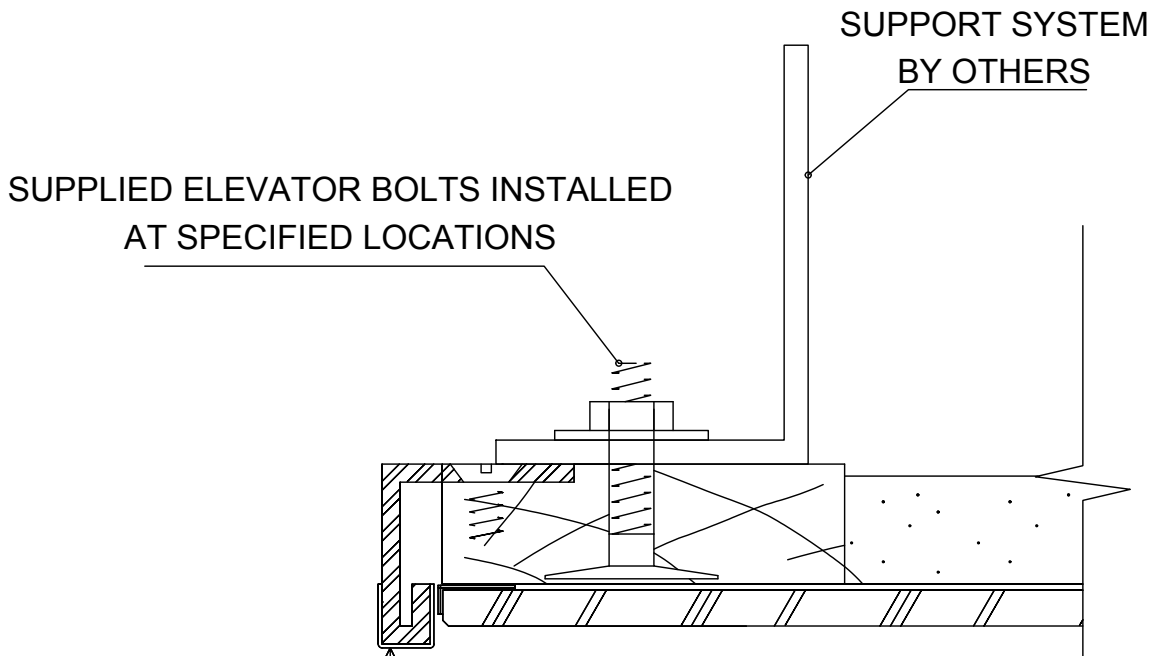


SUPPLIED ELEVATOR BOLTS INSTALLED  
AT SPECIFIED LOCATIONS

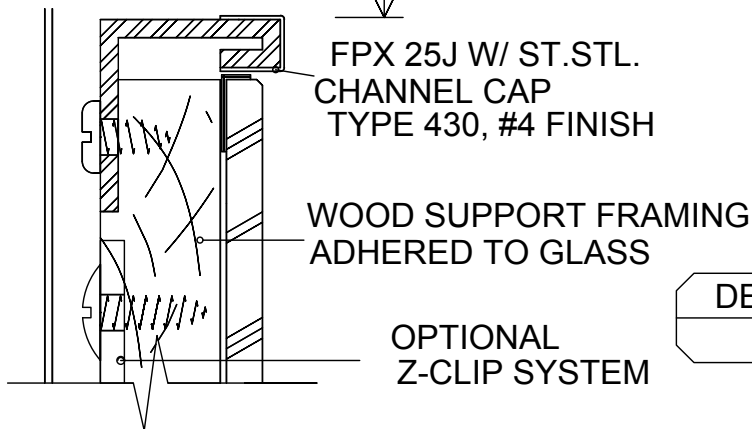
DETAIL  
02



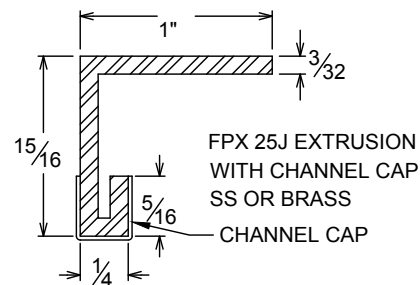
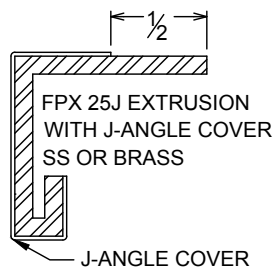
SYSTEM I SERIES 250  
FPX 1/4" - 9/32" PROFILE  
EXTRUSIONS FULL SIZE



1/2" MIN. WITH Z-CLIPS

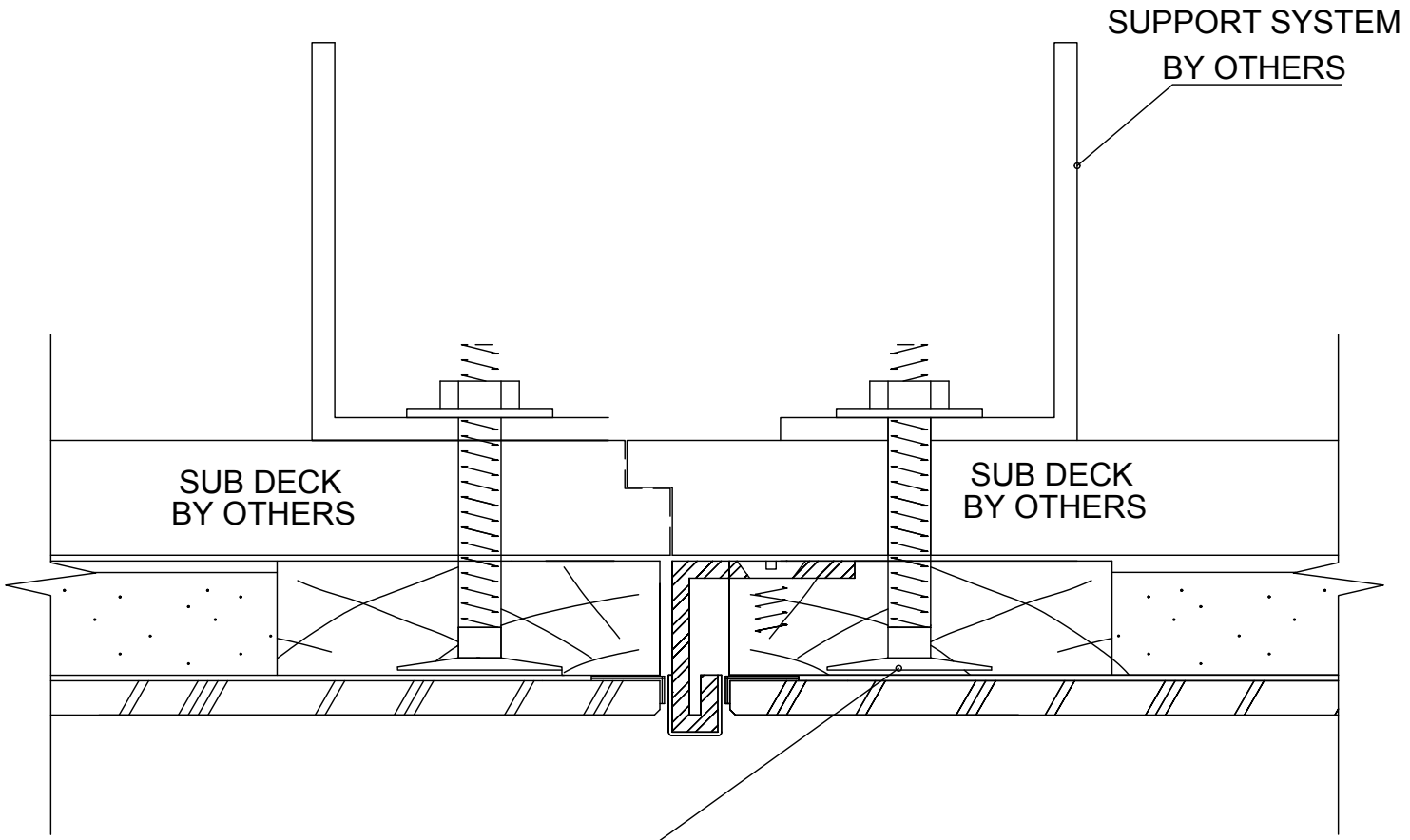


DETAIL  
01



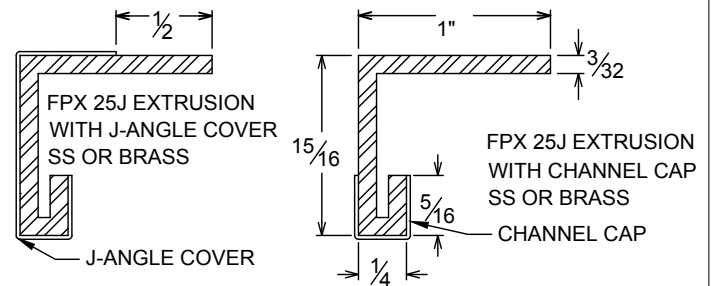
FOR MORE ABOUT FPX WALL PANELS  
PLEASE SEE OUR WALL PANEL SECTION

SYSTEM I SERIES 250-EX  
FPX 1/4" - 9/32" PROFILE  
EXTRUSIONS FULL SIZE



SUPPLIED ELEVATOR BOLTS INSTALLED  
AT SPECIFIED LOCATIONS

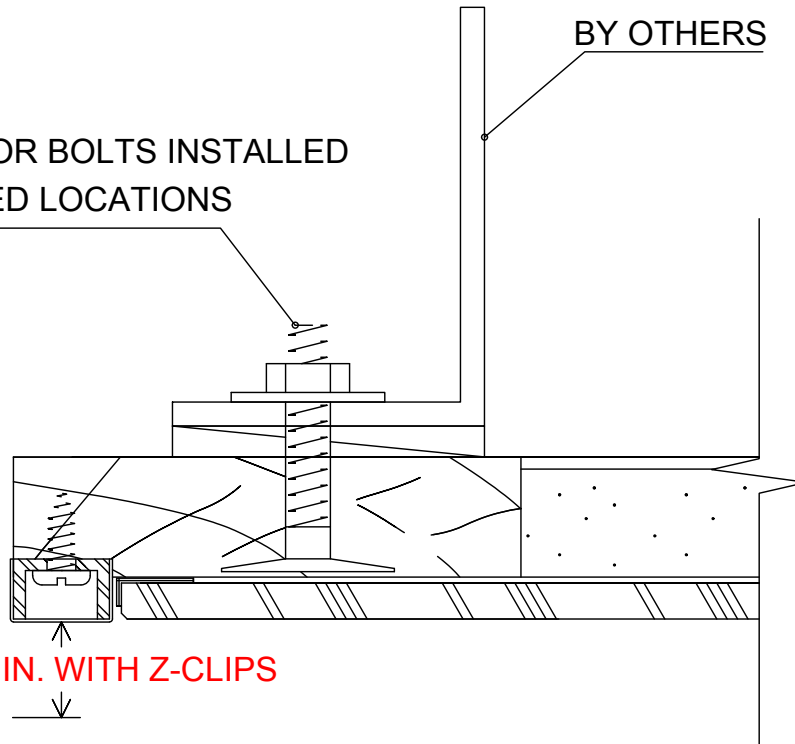
DETAIL  
02



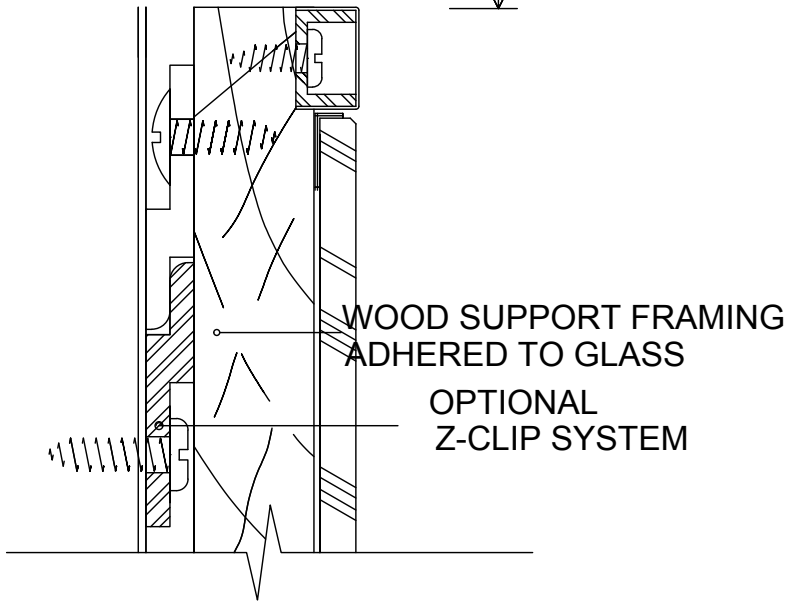
SYSTEM I SERIES 250-EX  
FPX  $\frac{1}{4}$ " -  $\frac{9}{32}$ " PROFILE  
EXTRUSIONS FULL SIZE

SUPPORT SYSTEM  
BY OTHERS

SUPPLIED ELEVATOR BOLTS INSTALLED  
AT SPECIFIED LOCATIONS



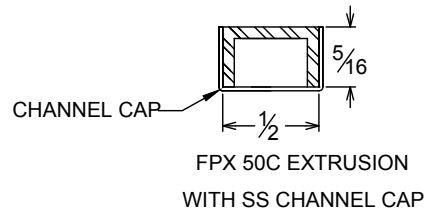
1/2" MIN. WITH Z-CLIPS



WOOD SUPPORT FRAMING  
ADHERED TO GLASS

OPTIONAL  
Z-CLIP SYSTEM

DETAIL  
01



FOR MORE ABOUT FPX WALL PANELS  
PLEASE SEE OUR WALL PANEL SECTION

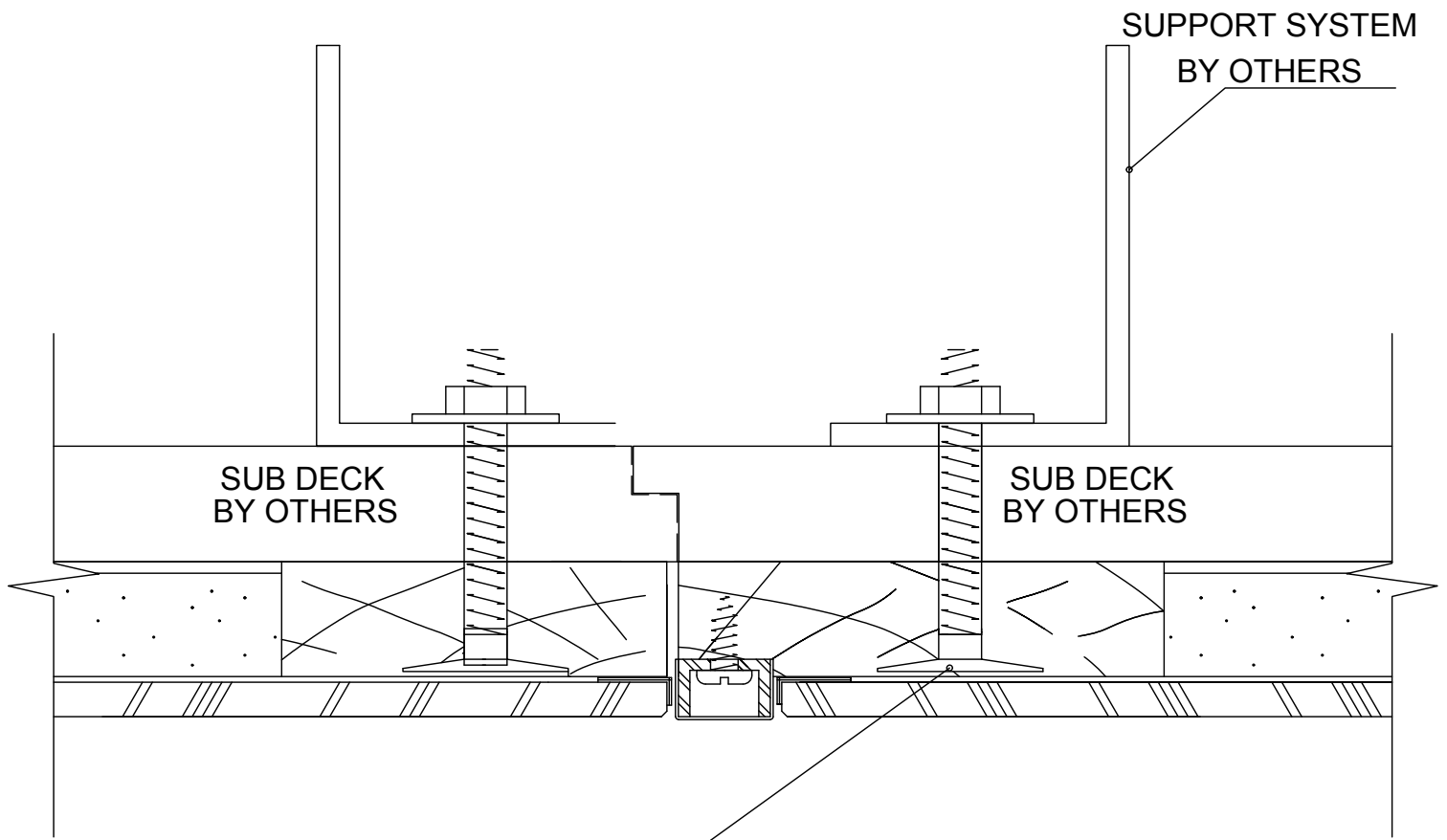
SYSTEM I SERIES 500  
FPX 1/2" - 17/32" PROFILE  
EXTRUSIONS FULL SIZE

FULLER PHOENIX ARCHITECTURAL PRODUCTS

6.00

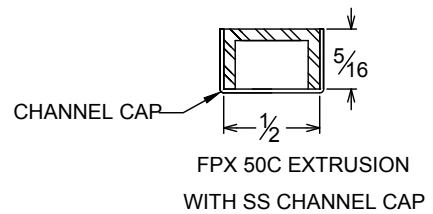
713.699.2262

www.fullerphoenix.com

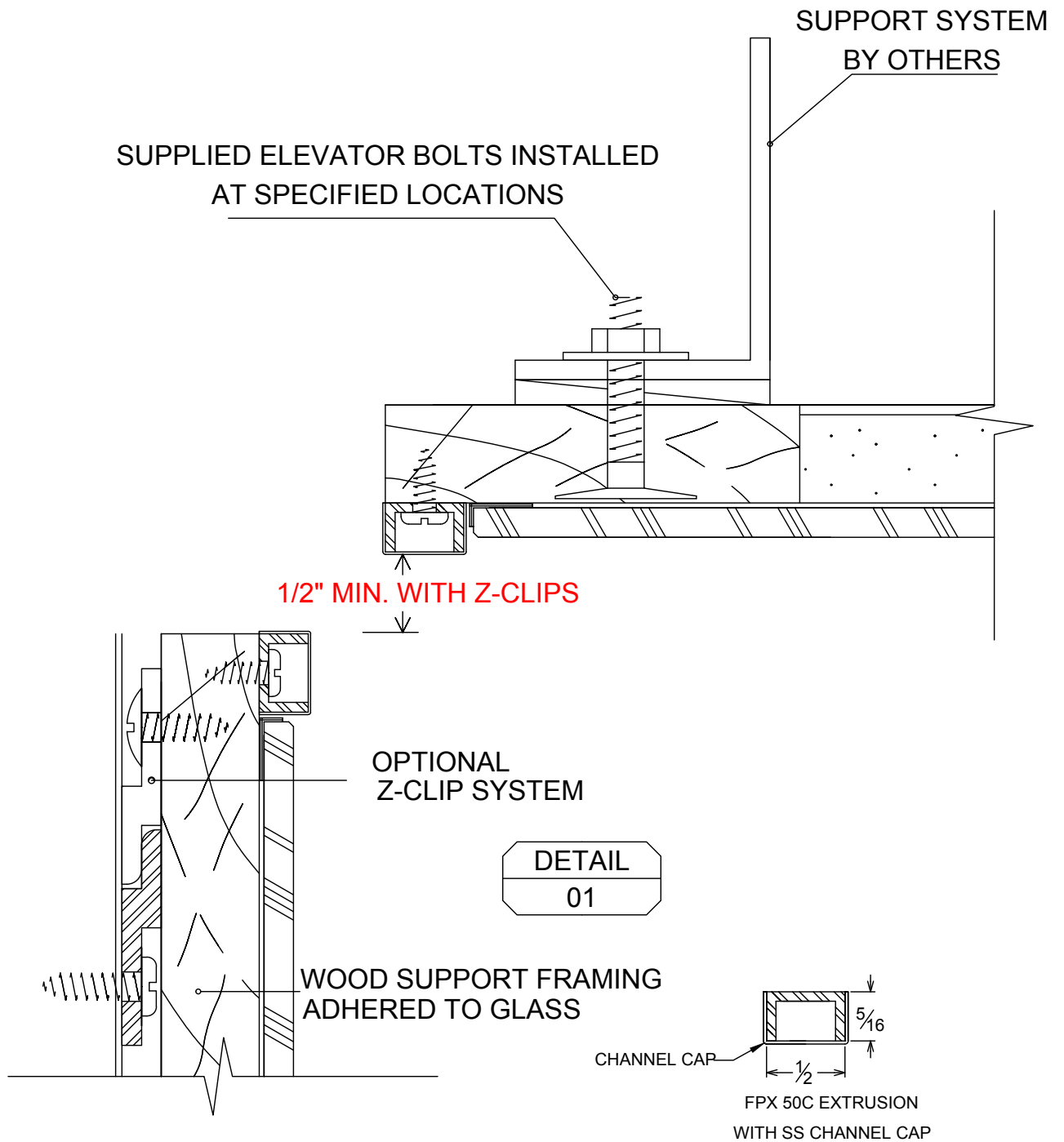


SUPPLIED ELEVATOR BOLTS INSTALLED  
AT SPECIFIED LOCATIONS

DETAIL  
02



SYSTEM **I** SERIES 500  
FPX 1/2" - 17/32" PROFILE  
EXTRUSIONS FULL SIZE



FOR MORE ABOUT FPX WALL PANELS  
PLEASE SEE OUR WALL PANEL SECTION

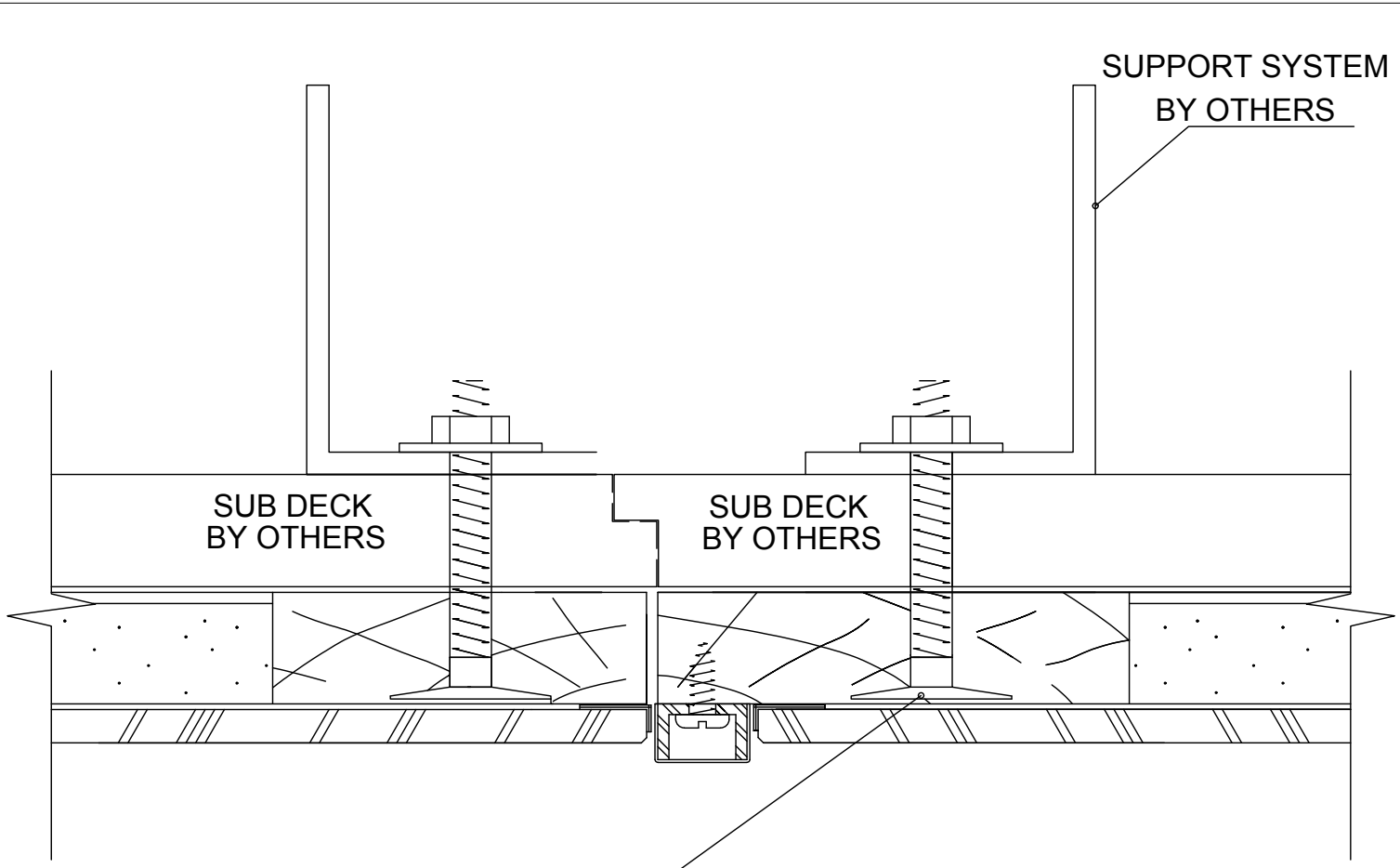
SYSTEM I SERIES 500-EX  
FPX 1/2" - 17/32" PROFILE  
EXTRUSIONS FULL SIZE

FULLER PHOENIX ARCHITECTURAL PRODUCTS

7.00

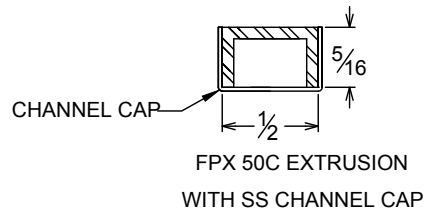
713.699.2262

www.fullerphoenix.com



SUPPLIED ELEVATOR BOLTS INSTALLED  
AT SPECIFIED LOCATIONS

DETAIL  
02



SYSTEM I SERIES 500-EX  
FPX 1/2" - 17/32" PROFILE  
EXTRUSIONS FULL SIZE

FOR MORE ABOUT FPX CEILINGS PLEASE  
SEE OUR CEILINGS SECTION

SUPPLIED ELEVATOR BOLTS INSTALLED  
AT SPECIFIED LOCATIONS

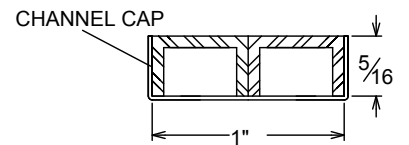
SUPPORT SYSTEM  
BY OTHERS

1/2" MIN. WITH Z-CLIPS

OPTIONAL  
Z-CLIP SYSTEM

WOOD SUPPORT FRAMING  
ADHERED TO GLASS

DETAIL  
01

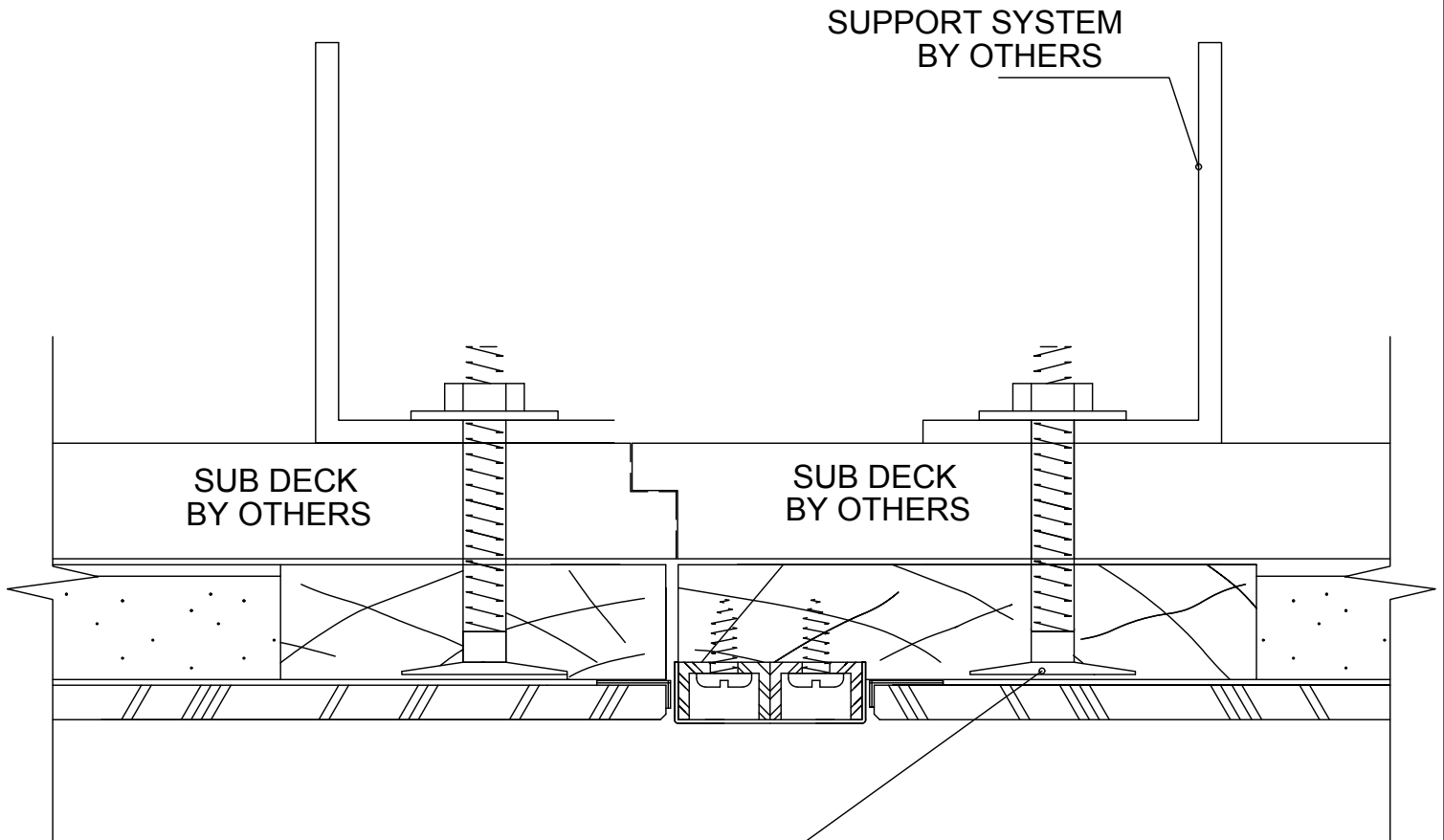


FPX 50C EXTRUSION X2  
WITH SS CHANNEL CAP

SYSTEM I SERIES 1000  
FPX 1" - 1 1/32" PROFILE  
EXTRUSIONS FULL SIZE

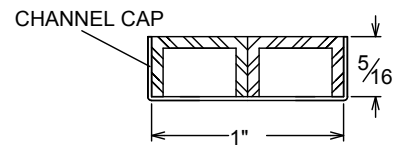
FOR MORE ABOUT FPX WALL PANELS  
PLEASE SEE OUR WALL PANEL SECTION





SUPPLIED ELEVATOR BOLTS INSTALLED  
AT SPECIFIED LOCATIONS

DETAIL  
02



FPX 50C EXTRUSION X2  
WITH SS CHANNEL CAP

SYSTEM I SERIES 1000  
FPX 1" - 1 1/32" PROFILE  
EXTRUSIONS FULL SIZE

FOR MORE ABOUT FPX CEILINGS PLEASE  
SEE OUR CEILINGS SECTION

SUPPLIED ELEVATOR BOLTS INSTALLED  
AT SPECIFIED LOCATIONS

SUPPORT SYSTEM  
BY OTHERS

1/2" MIN. WITH Z-CLIPS

DETAIL

01

WOOD SUPPORT FRAMING  
ADHERED TO GLASS

OPTIONAL  
Z-CLIP SYSTEM

CHANNEL CAP

FPX 50C EXTRUSION X2  
WITH SS CHANNEL CAP

SYSTEM I SERIES 1000-EX

FPX 1" - 1 1/32" PROFILE

EXTRUSIONS FULL SIZE

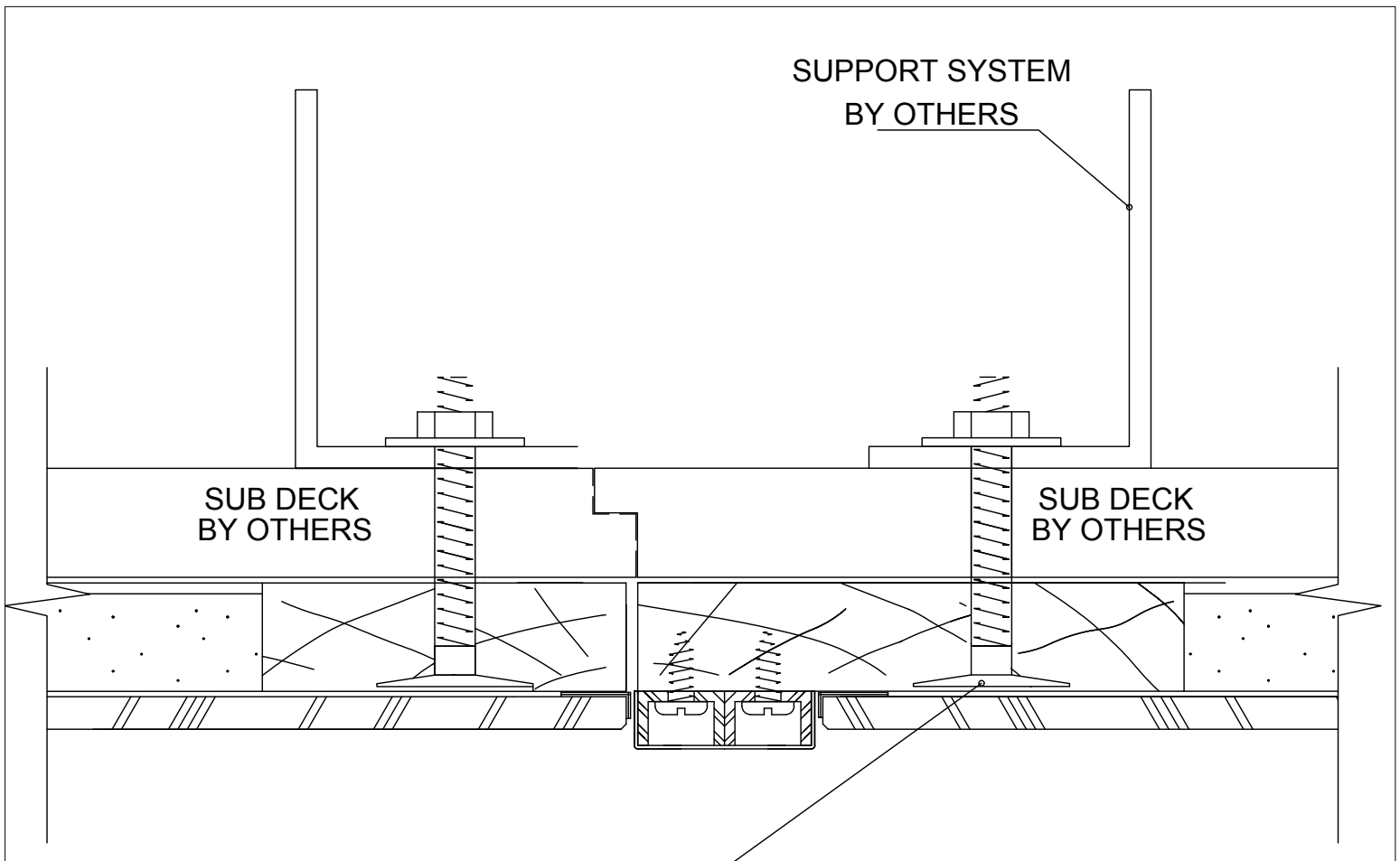
FOR MORE ABOUT FPX WALL PANELS  
PLEASE SEE OUR WALL PANEL SECTION

FULLER PHOENIX ARCHITECTURAL PRODUCTS

9.00

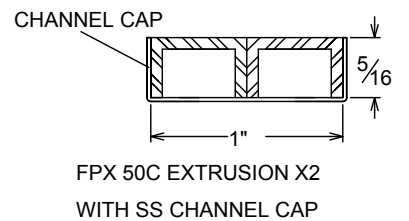
713.699.2262

www.fullerphoenix.com



SUPPLIED ELEVATOR BOLTS INSTALLED  
AT SPECIFIED LOCATIONS

DETAIL  
02



SYSTEM **I** SERIES 1000-EX  
FPX 1" - 1 1/32" PROFILE  
EXTRUSIONS FULL SIZE