

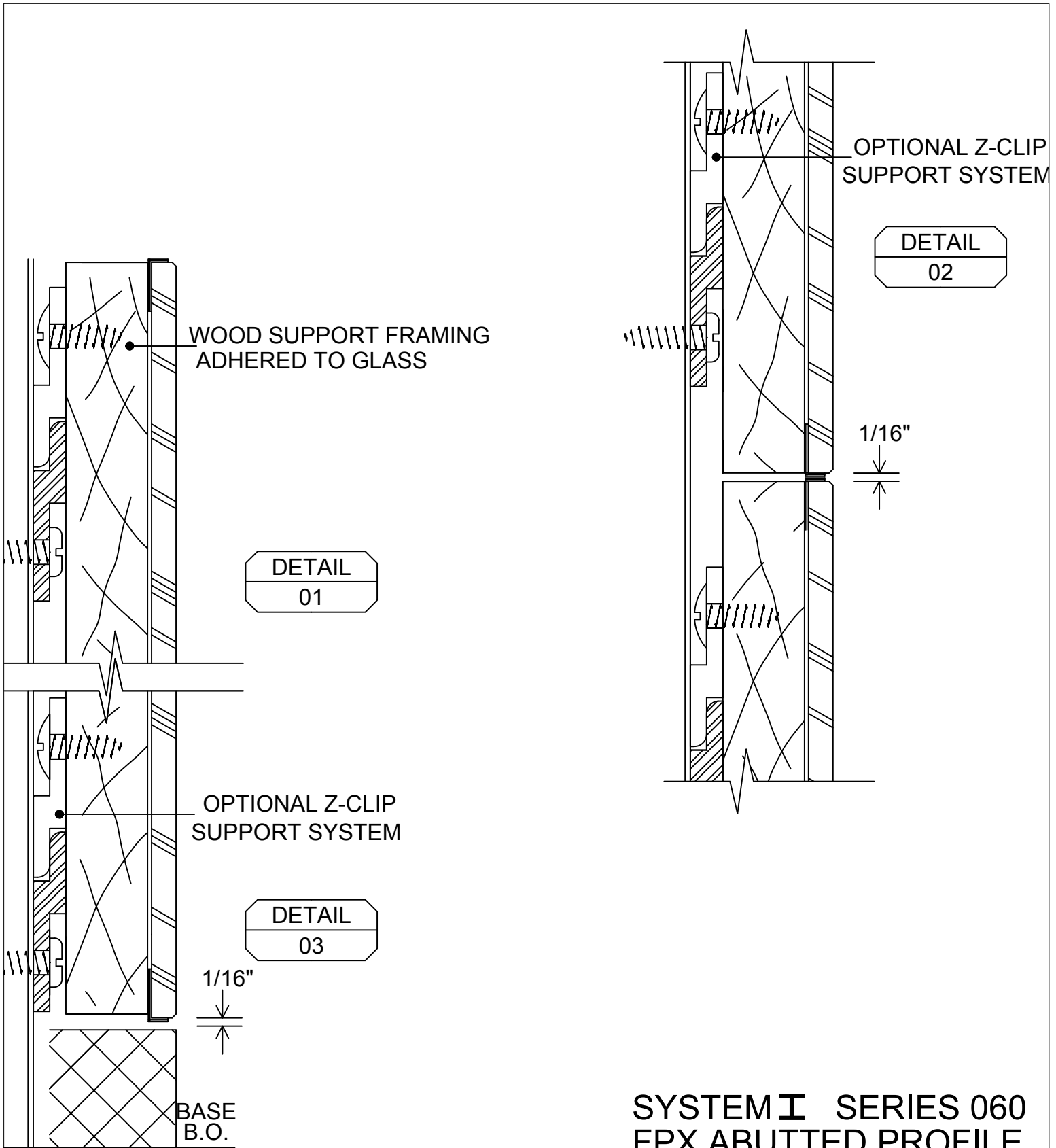
NOT TO SCALE

SYSTEM I
SERIES-060
ABUTTED

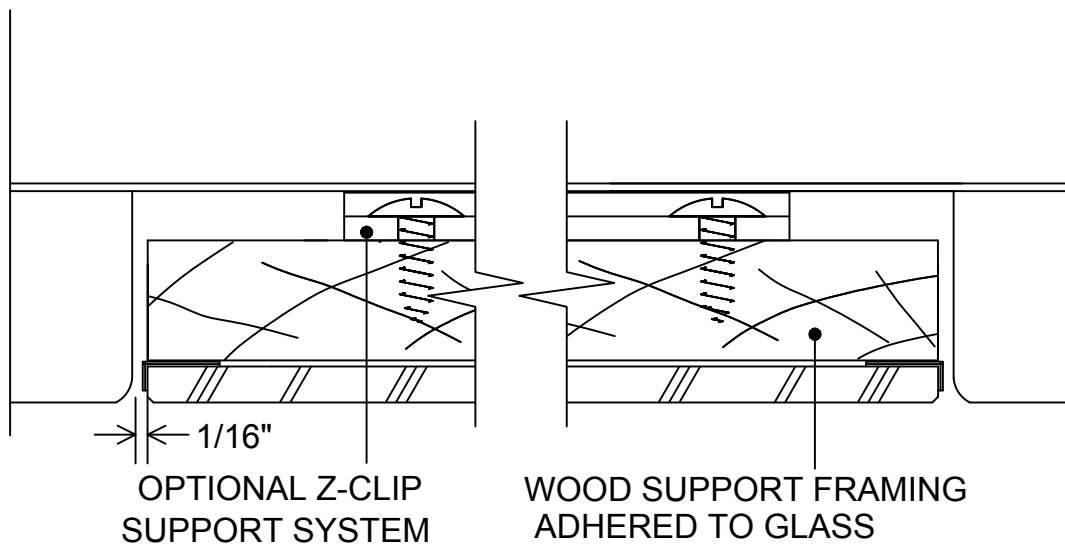
FULLER PHOENIX ARCHITECTURAL PRODUCTS

713.699.2262

www.fullerphoenix.com

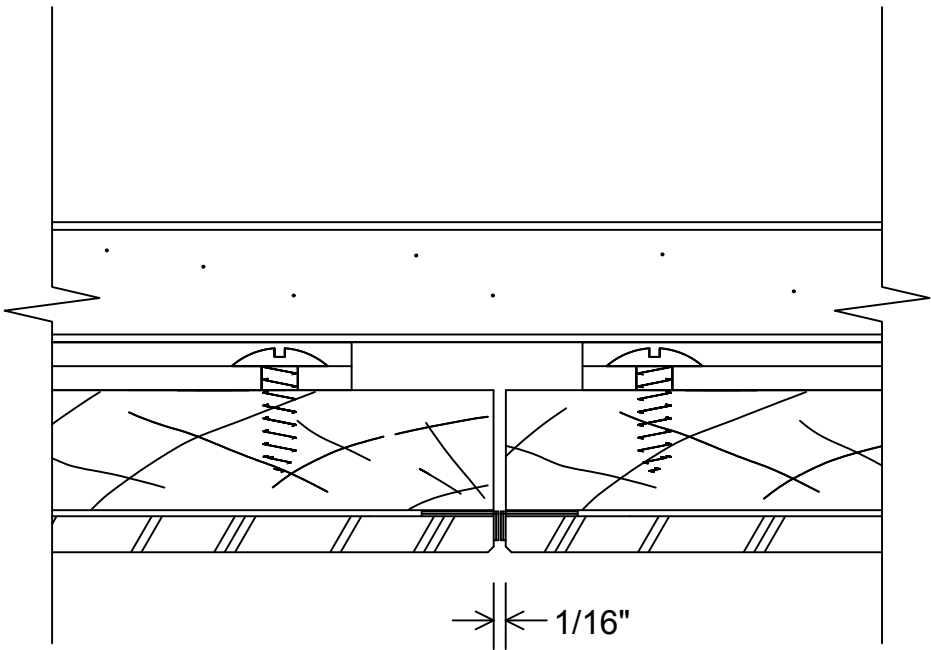


**SYSTEM I SERIES 060
FPX ABUTTED PROFILE
EXTRUSIONS FULL SIZE**



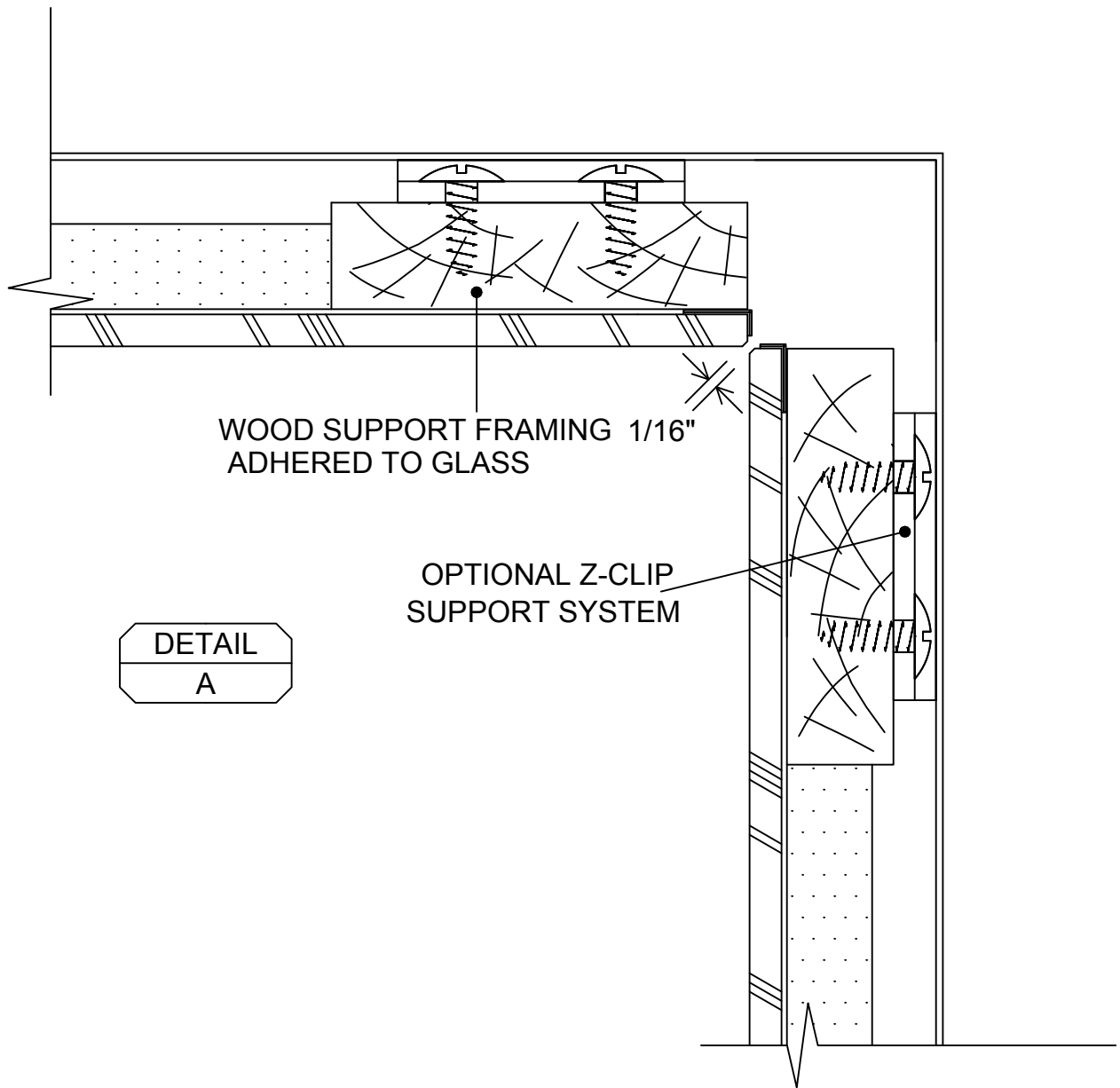
DETAIL
04

DETAIL
06



DETAIL
05

SYSTEM I SERIES 060
 FPX ABUTTED PROFILE
 EXTRUSIONS FULL SIZE

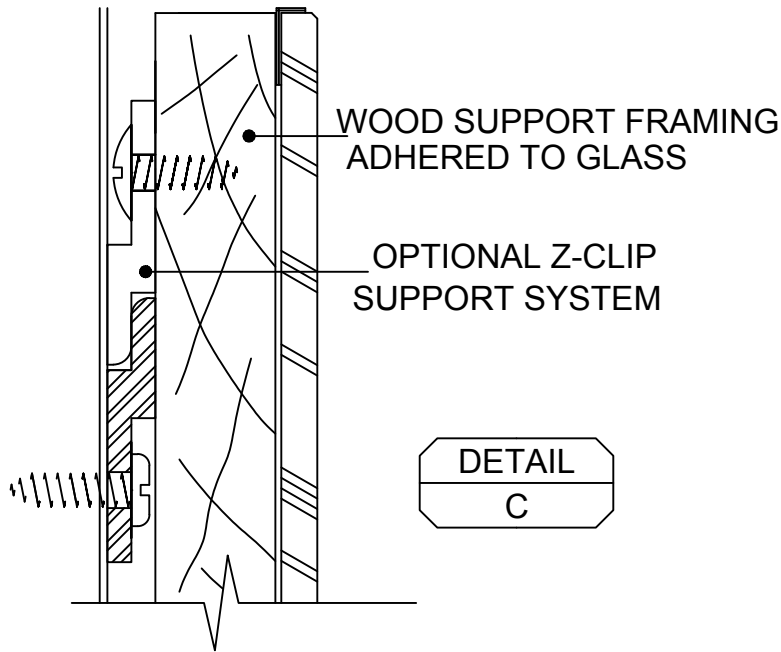
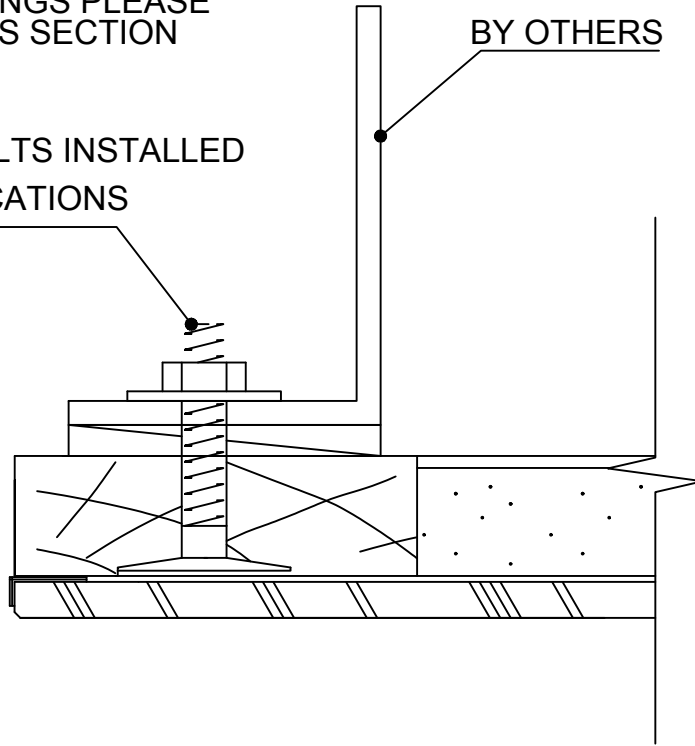


SYSTEM I SERIES 060
FPX ABUTTED PROFILE
EXTRUSIONS FULL SIZE

FOR MORE ABOUT FPX CEILINGS PLEASE
SEE OUR ELEVATOR CEILINGS SECTION

SUPPLIED ELEVATOR BOLTS INSTALLED
AT SPECIFIED LOCATIONS

SUPPORT SYSTEM
BY OTHERS



SYSTEM I SERIES 060
FPX ABUTTED PROFILE
EXTRUSIONS FULL SIZE