

NOT TO SCALE

FINISHES:

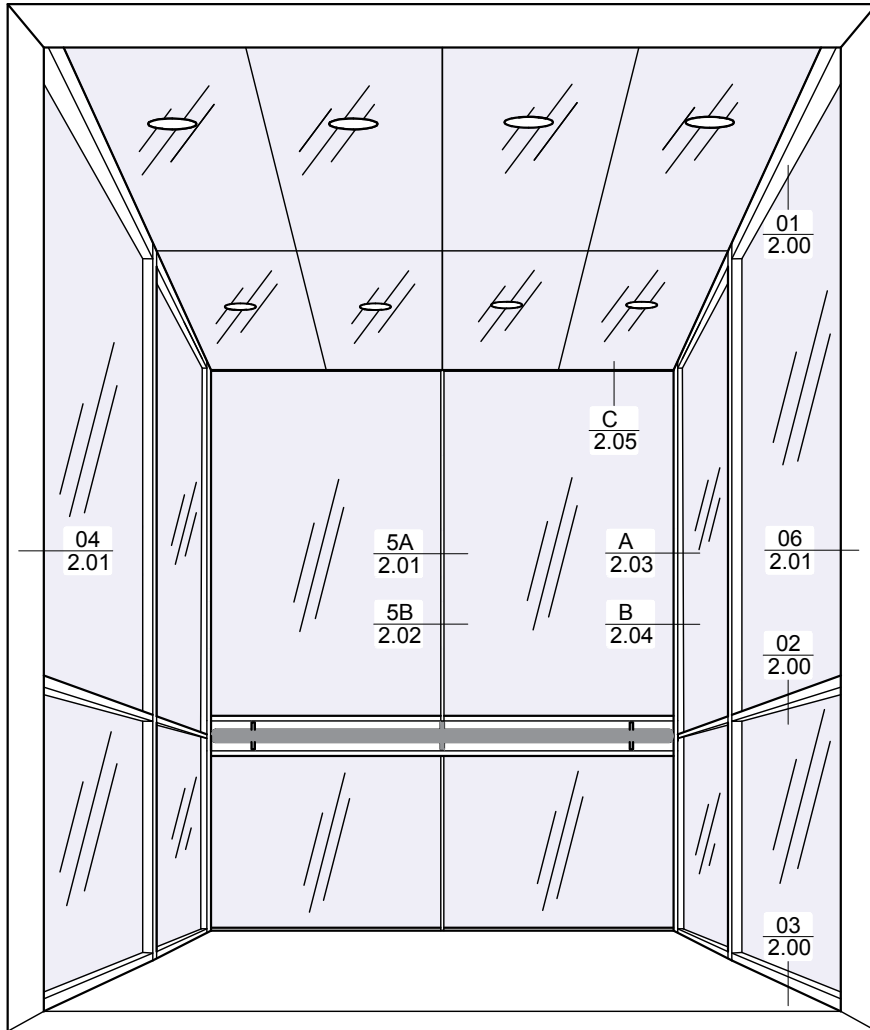
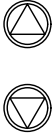
ALUM. - PAINTED or ANODIZED
ST. STL. - #4 SATIN, or BRITE
SPECIAL - CONTACT FACTORY

SYSTEM I
SERIES-125
FLUSH

FULLER PHOENIX ARCHITECTURAL PRODUCTS

713.699.2262

www.fullerphoenix.com



NOT TO SCALE

FINISHES:

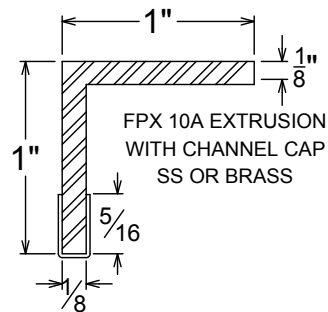
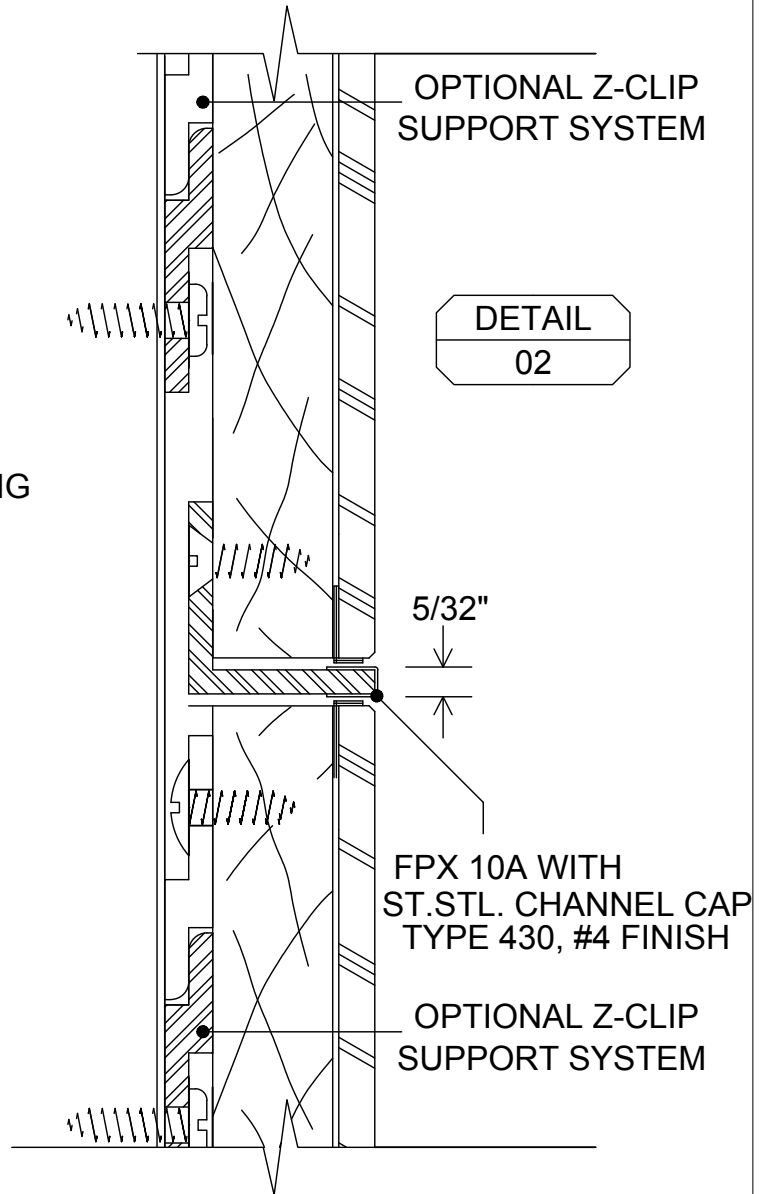
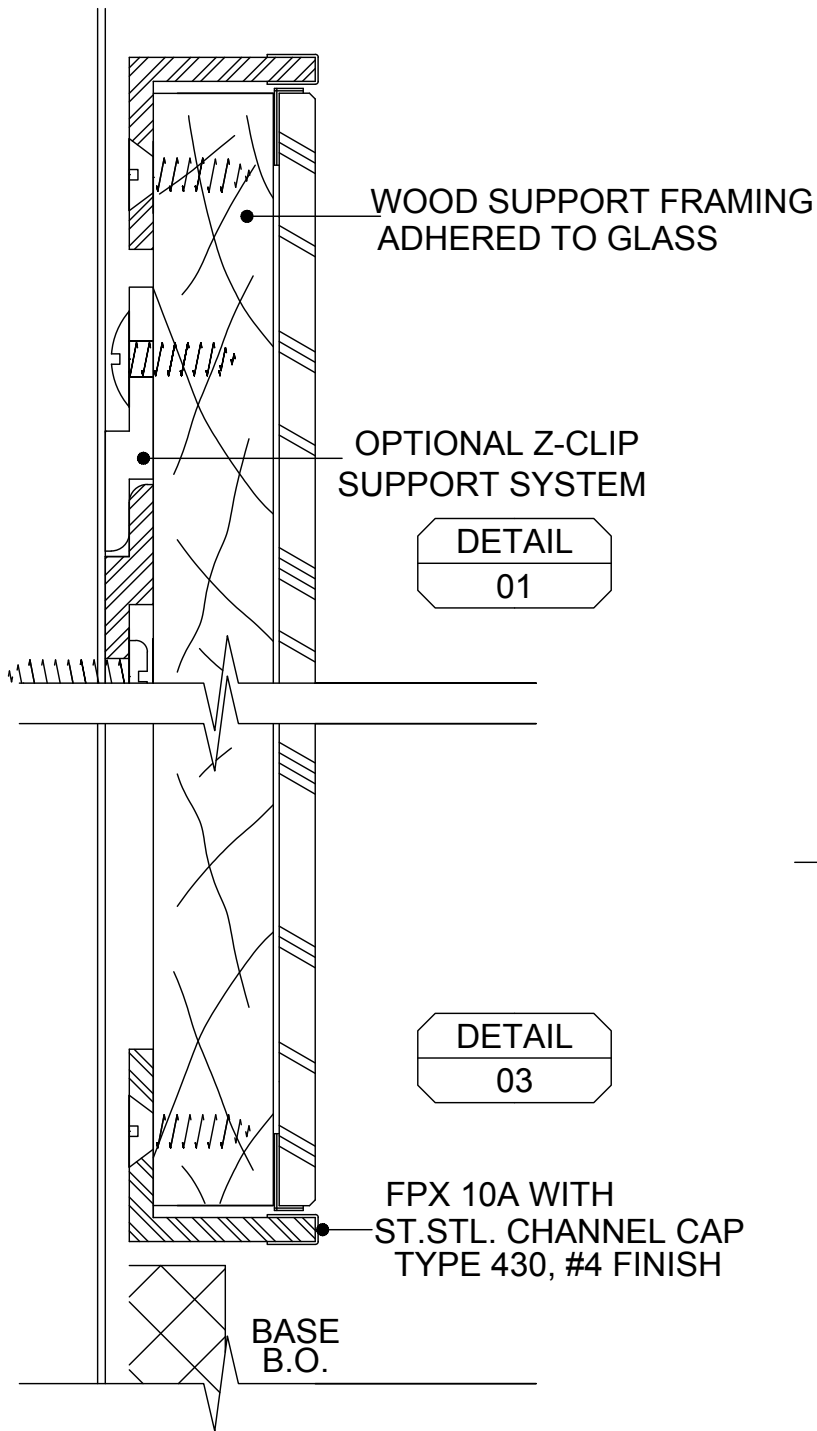
ALUM. - PAINTED or ANODIZED
ST. STL. - #4 SATIN, or BRITE
SPECIAL - CONTACT FACTORY

SYSTEM I
SERIES-125 EX
EXTENDED

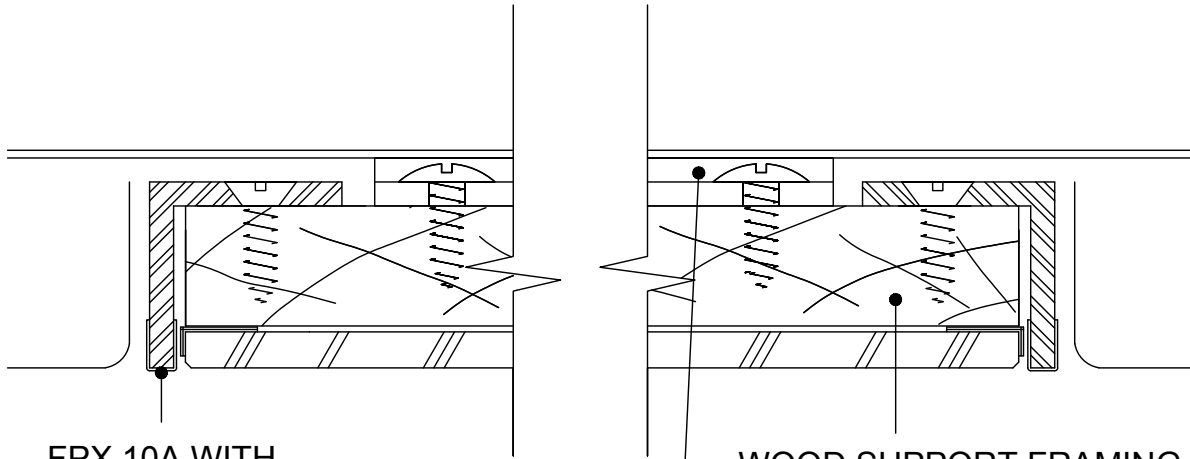
FULLER PHOENIX ARCHITECTURAL PRODUCTS

713.699.2262

www.fullerphoenix.com



SYSTEM I SERIES 125
FPX 1/8" - 5/32" PROFILE
EXTRUSIONS FULL SIZE



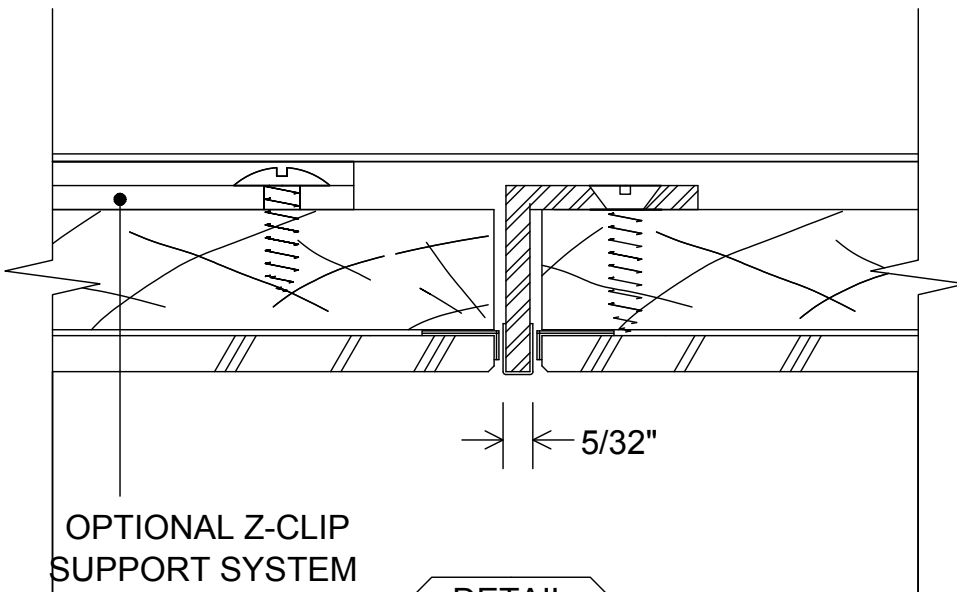
FPX 10A WITH
ST.STL. CHANNEL CAP
TYPE 430, #4 FINISH

WOOD SUPPORT FRAMING
ADHERED TO GLASS

DETAIL
04

OPTIONAL Z-CLIP
SUPPORT SYSTEM

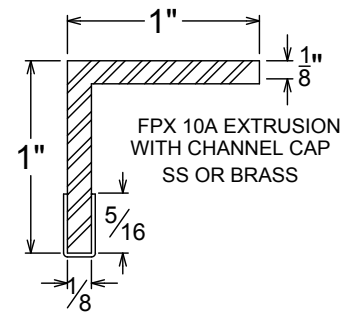
DETAIL
06



OPTIONAL Z-CLIP
SUPPORT SYSTEM

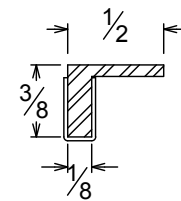
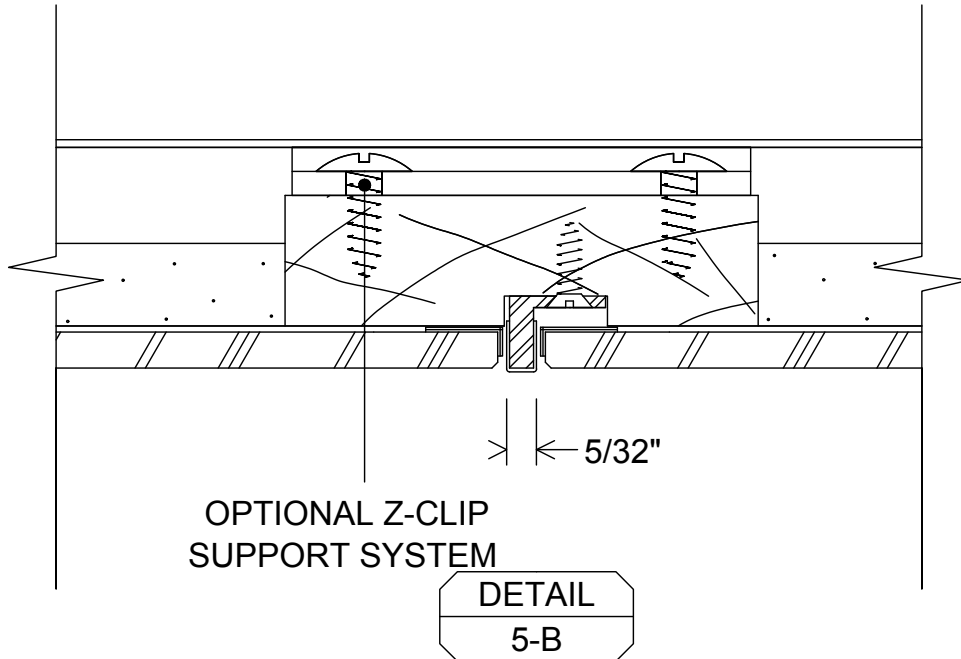
5/32"

DETAIL
5-A



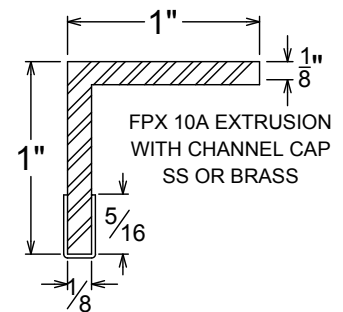
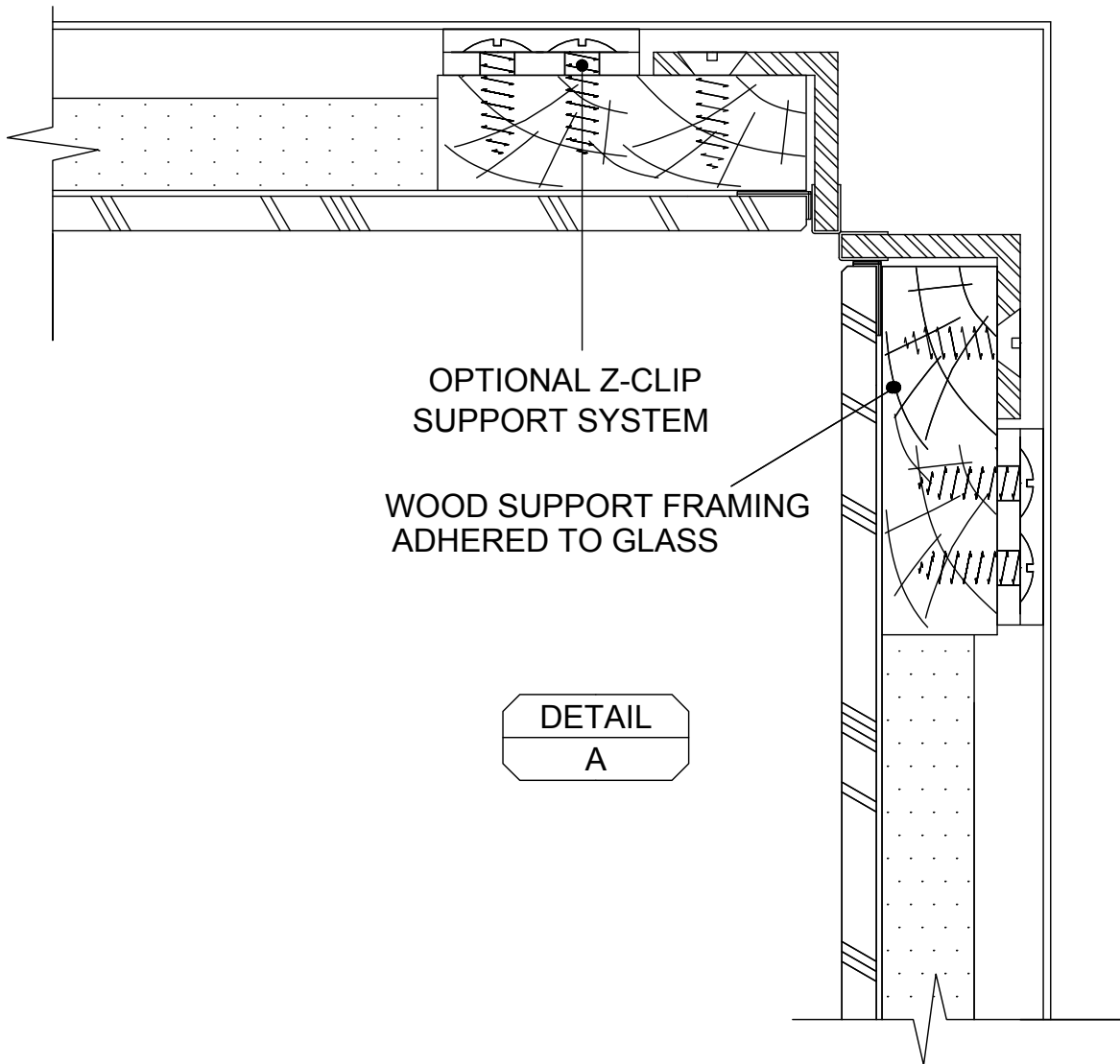
FPX 10A EXTRUSION
WITH CHANNEL CAP
SS OR BRASS

SYSTEM I SERIES 125
FPX 1/8" - 5/32" PROFILE
EXTRUSIONS FULL SIZE

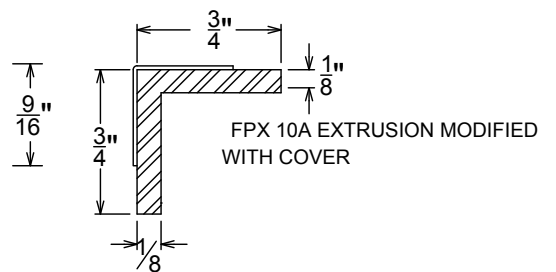
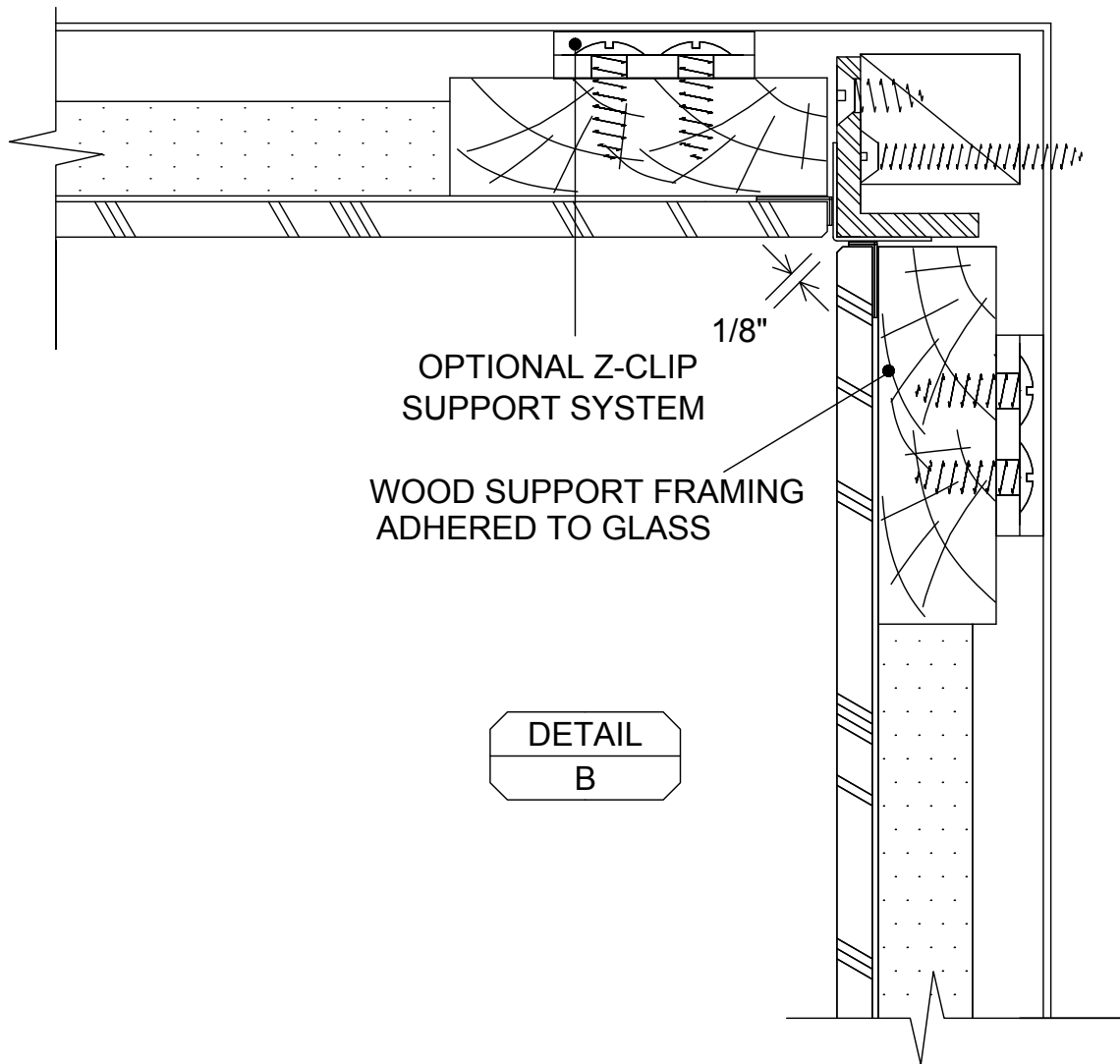


FPX 125FL EXTRUSION
WITH CHANNEL CAP
SS OR BRASS

SYSTEM I SERIES 125
FPX 1/8" - 5/32" PROFILE
EXTRUSIONS FULL SIZE



SYSTEM I SERIES 125
FPX 1/8" - 5/32" PROFILE
EXTRUSIONS FULL SIZE

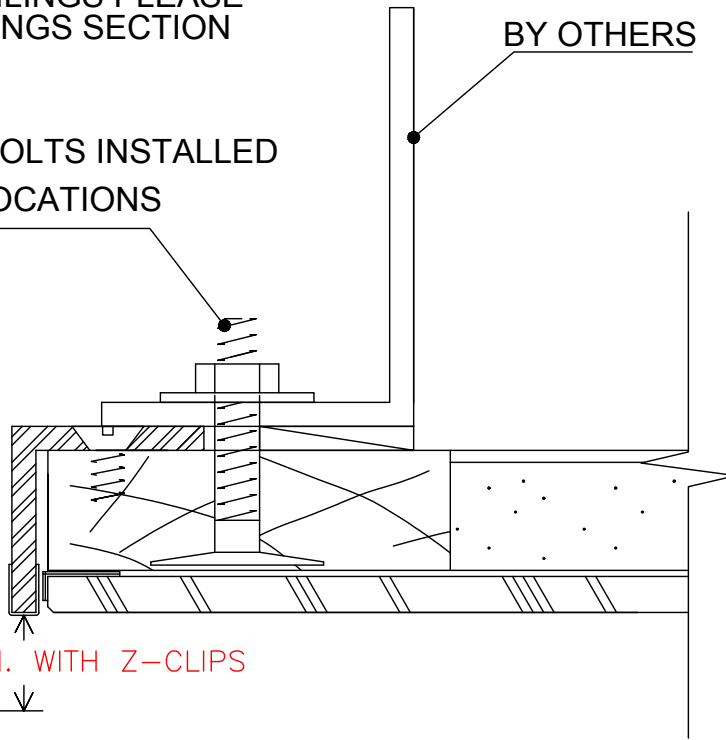


SYSTEM I SERIES 125
FFX 1/8" - 5/32" PROFILE
EXTRUSIONS FULL SIZE

FOR MORE ABOUT FPX CEILINGS PLEASE
SEE OUR ELEVATOR CEILINGS SECTION

SUPPORT SYSTEM
BY OTHERS

SUPPLIED ELEVATOR BOLTS INSTALLED
AT SPECIFIED LOCATIONS



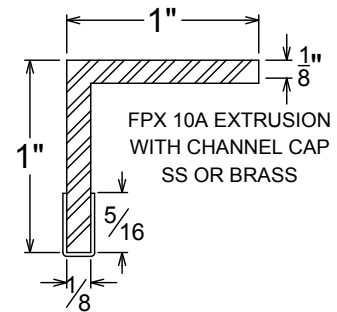
1/2" MIN. WITH Z-CLIPS

WOOD SUPPORT FRAMING
ADHERED TO GLASS

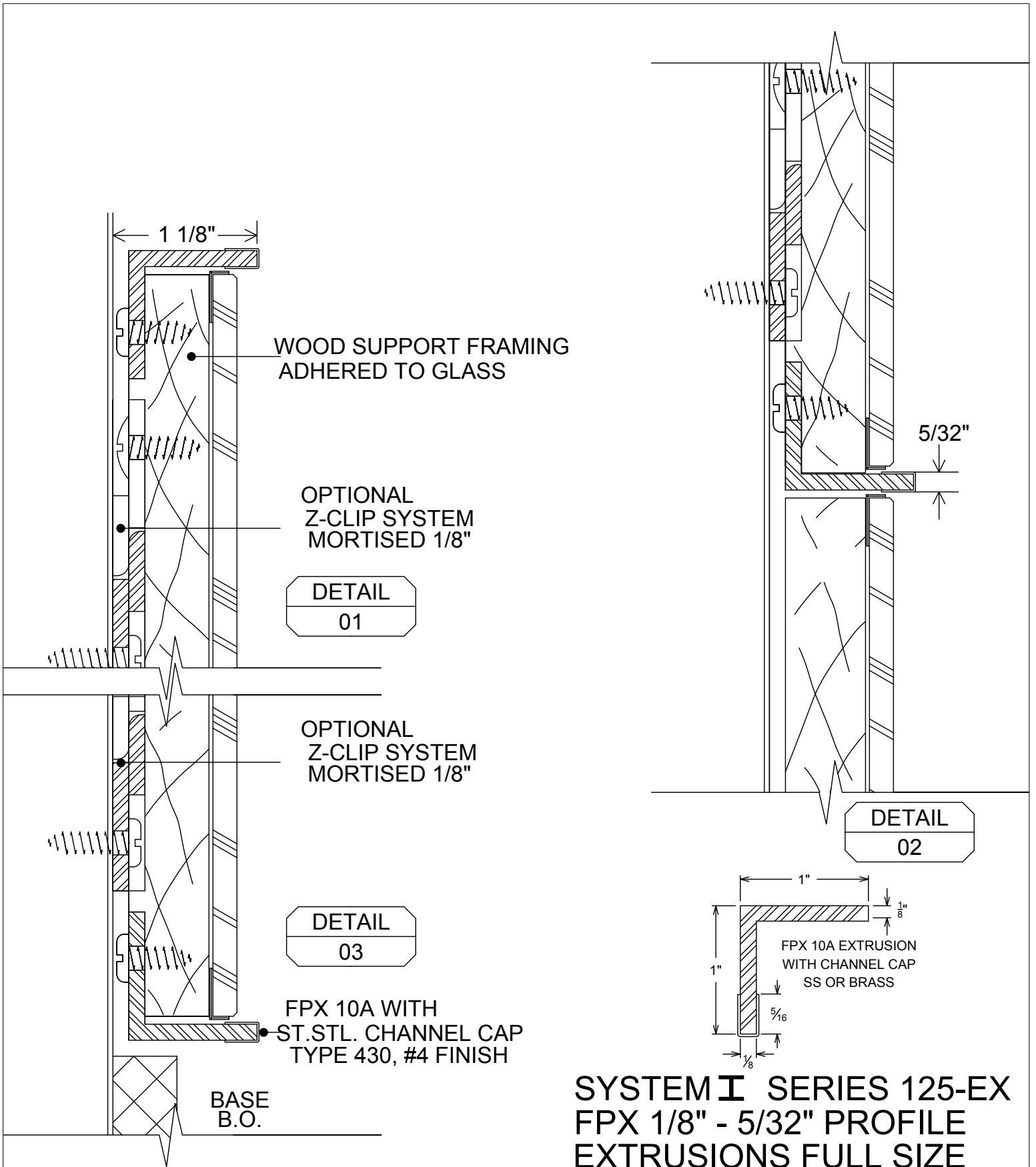
OPTIONAL Z-CLIP
SUPPORT SYSTEM

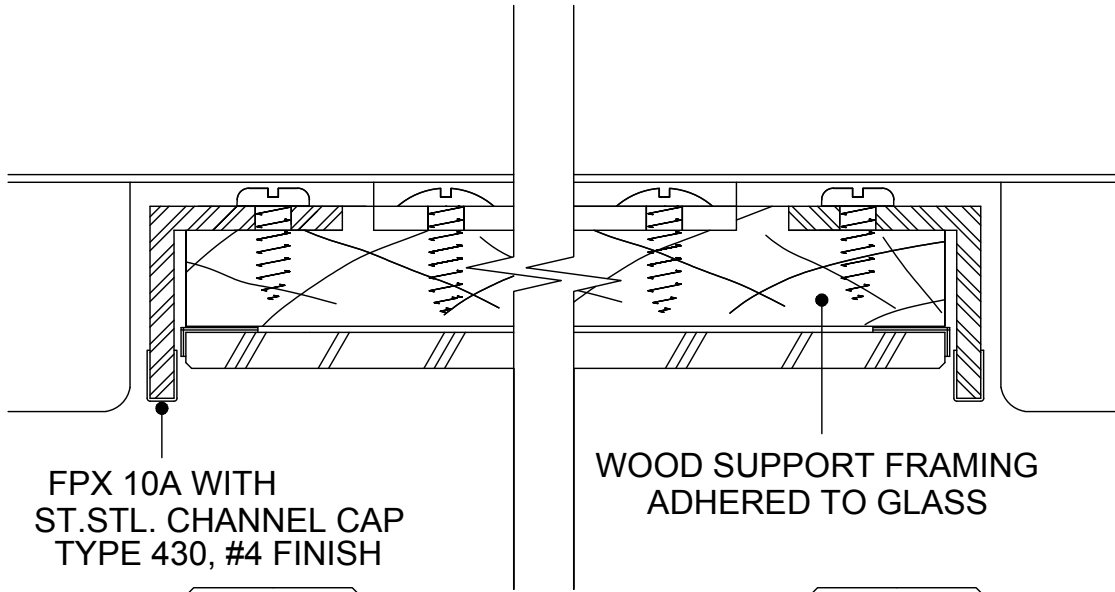
DETAIL

C



SYSTEM I SERIES 125
FPX 1/8" - 5/32" PROFILE
EXTRUSIONS FULL SIZE



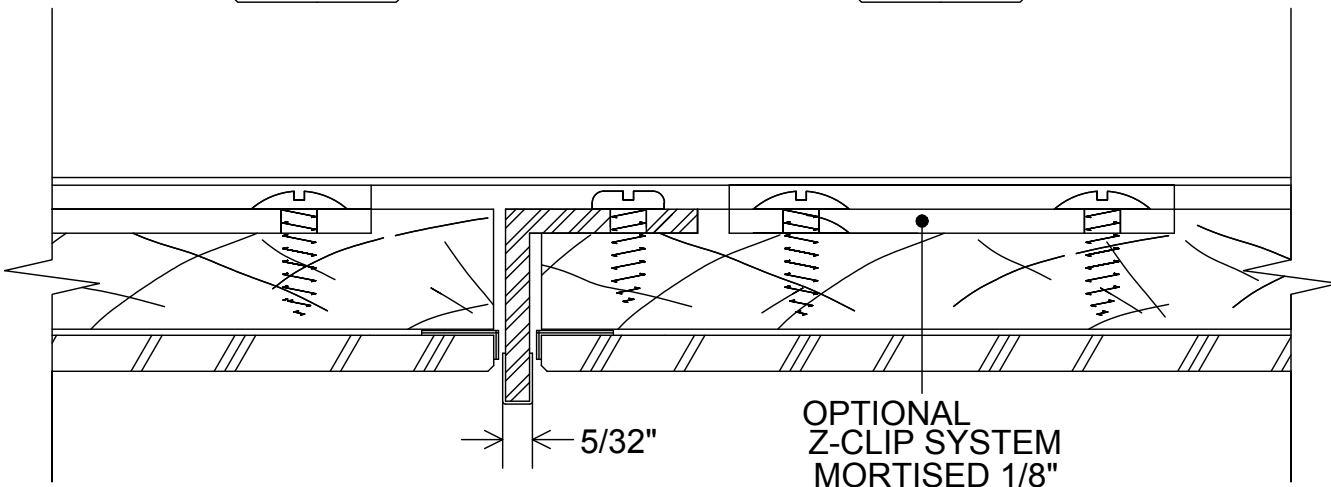


FPX 10A WITH
ST.STL. CHANNEL CAP
TYPE 430, #4 FINISH

DETAIL
04

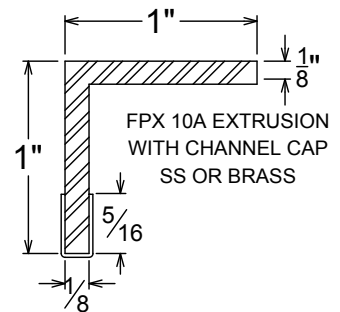
WOOD SUPPORT FRAMING
ADHERED TO GLASS

DETAIL
06



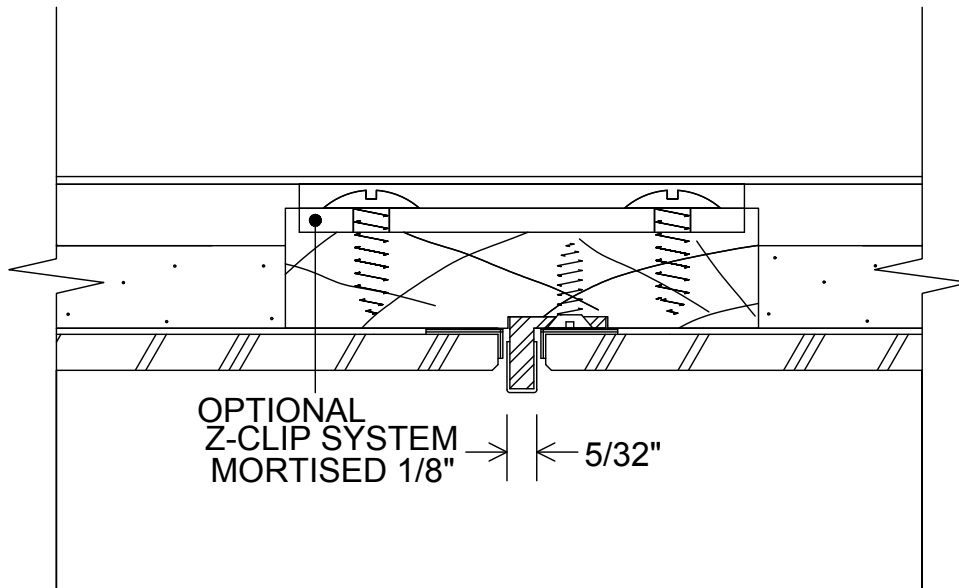
OPTIONAL
Z-CLIP SYSTEM
MORTISED 1/8"

DETAIL
5-A

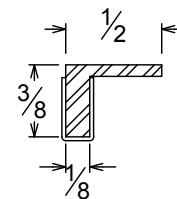


FPX 10A EXTRUSION
WITH CHANNEL CAP
SS OR BRASS

SYSTEM I SERIES 125-EX
FPX 1/8" - 5/32" PROFILE
EXTRUSIONS FULL SIZE

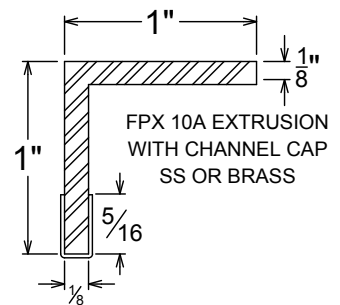
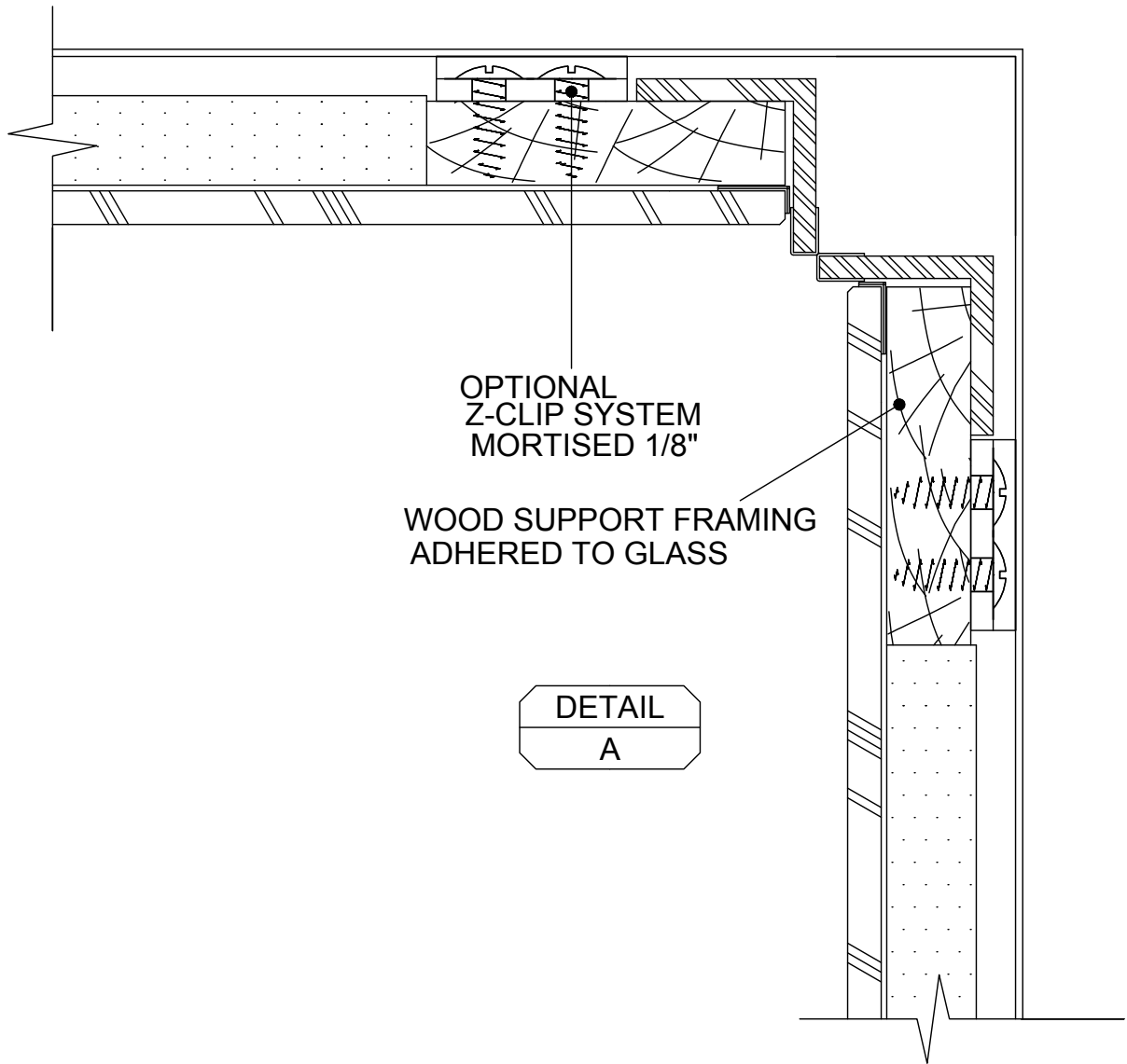


DETAIL
5-B

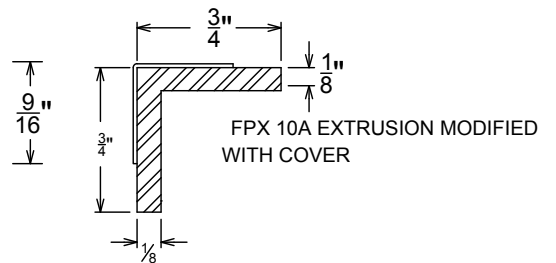
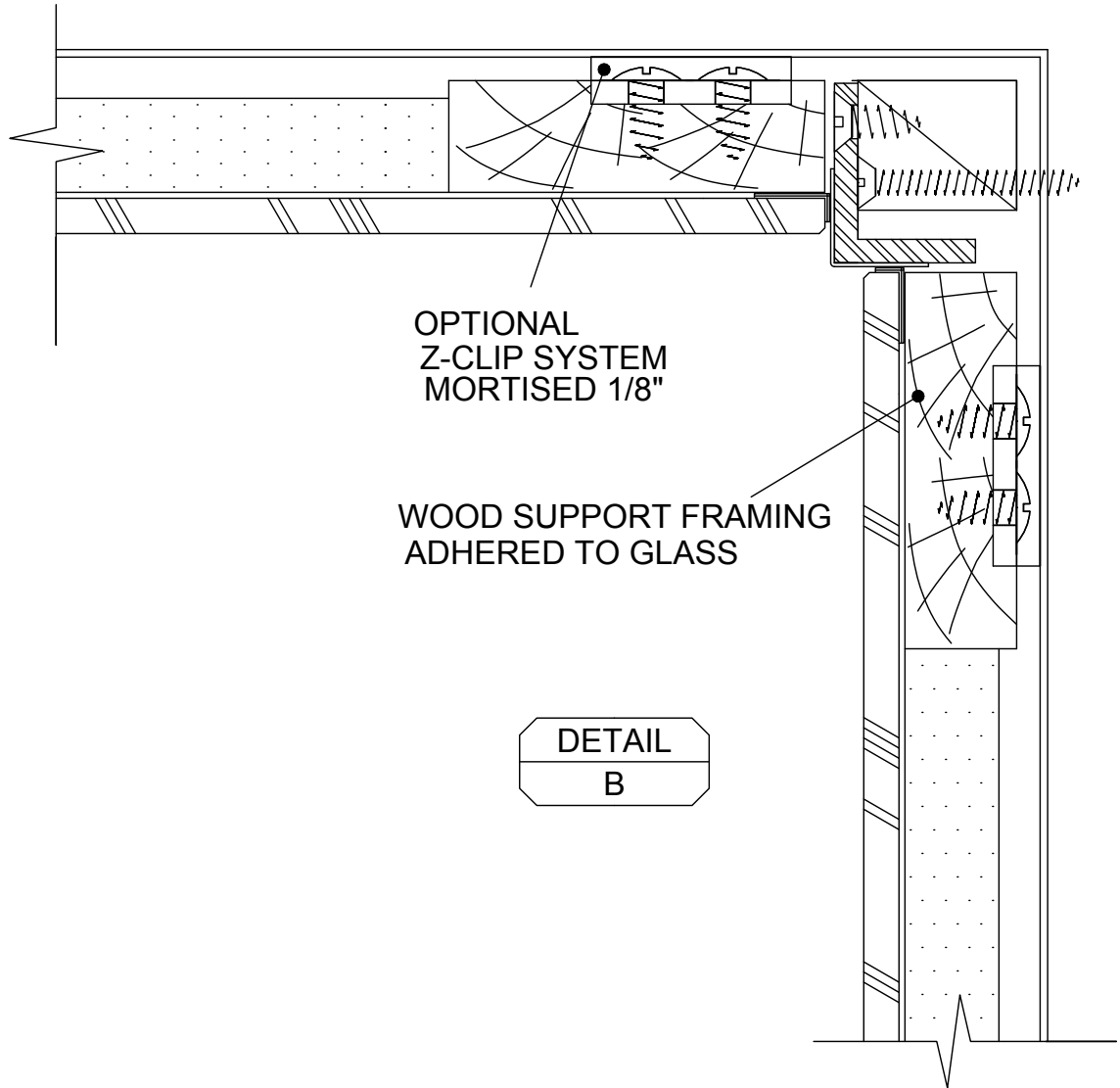


FPX 125FL EXTRUSION
WITH CHANNEL CAP
SS OR BRASS

SYSTEM I SERIES 125-EX
FPX 1/8" - 5/32" PROFILE
EXTRUSIONS FULL SIZE



**SYSTEM I SERIES 125-EX
FPX 1/8" - 5/32" PROFILE
EXTRUSIONS FULL SIZE**



**SYSTEM I SERIES 125-EX
FPX 1/8" - 5/32" PROFILE
EXTRUSIONS FULL SIZE**

FOR MORE ABOUT FPX CEILINGS PLEASE
SEE OUR ELEVATOR CEILINGS SECTION

SUPPLIED ELEVATOR BOLTS INSTALLED
AT SPECIFIED LOCATIONS

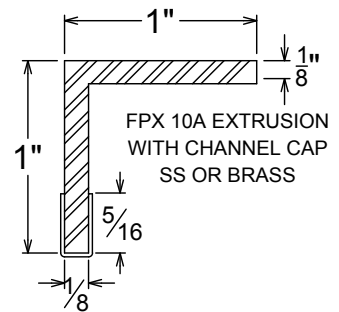
SUPPORT SYSTEM
BY OTHERS

1/2" MIN. WITH Z-CLIPS

WOOD SUPPORT FRAMING
ADHERED TO GLASS

OPTIONAL
Z-CLIP SYSTEM
MORTISED 1/8"

DETAIL
C



SYSTEM I SERIES 125-EX FPX 1/8" - 5/32" PROFILE EXTRUSIONS FULL SIZE