

NOT TO SCALE

FINISHES:

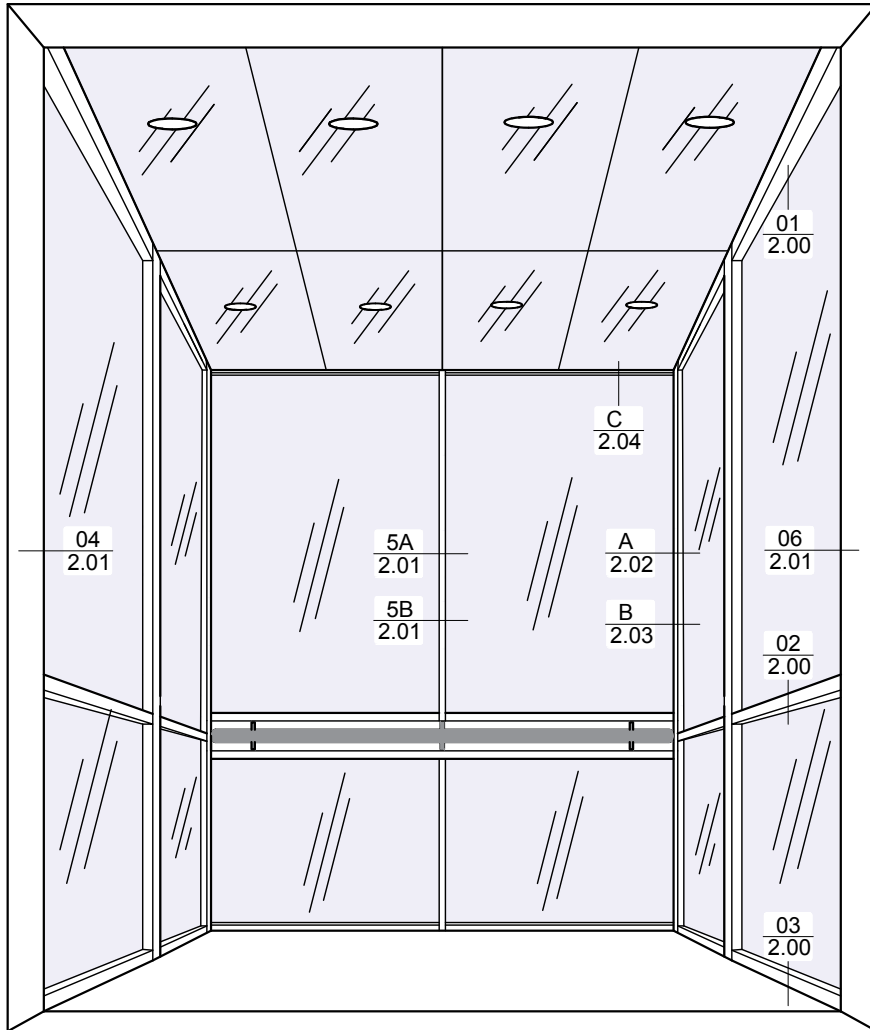
ALUM. - PAINTED or ANODIZED
ST. STL. - #4 SATIN, or BRITE
SPECIAL - CONTACT FACTORY

SYSTEM I
SERIES-250
FLUSH

FULLER PHOENIX ARCHITECTURAL PRODUCTS

713.699.2262

www.fullerphoenix.com



NOT TO SCALE

FINISHES:

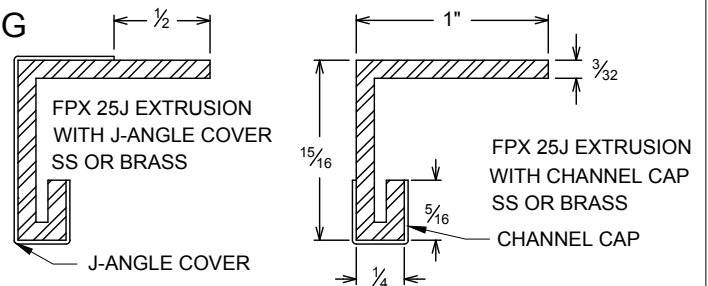
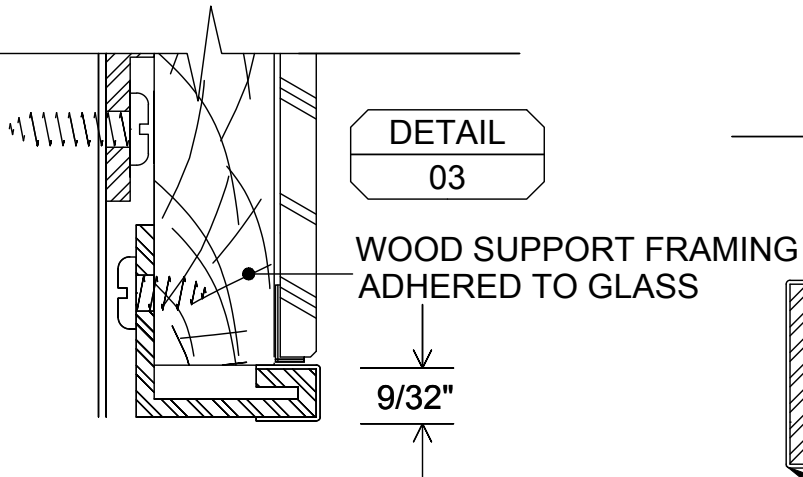
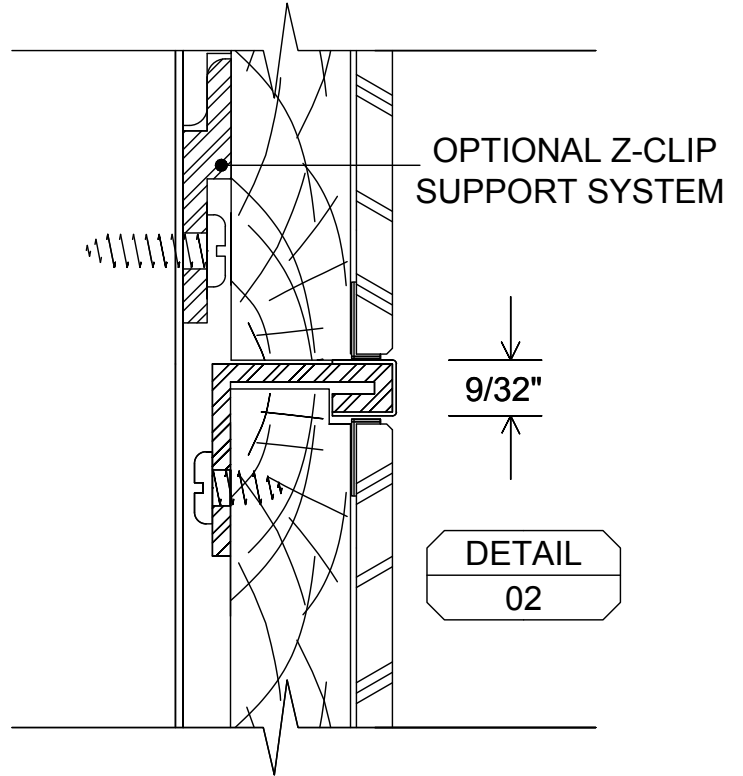
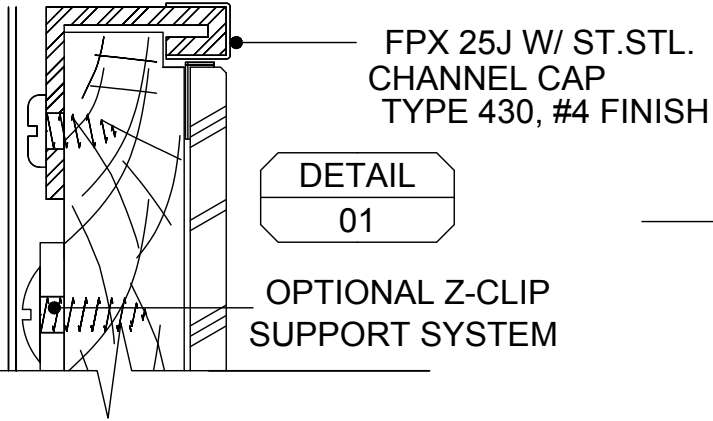
ALUM. - PAINTED or ANODIZED
ST. STL. - #4 SATIN, or BRITE
SPECIAL - CONTACT FACTORY

SYSTEM I
SERIES-250-EX
EXTENDED

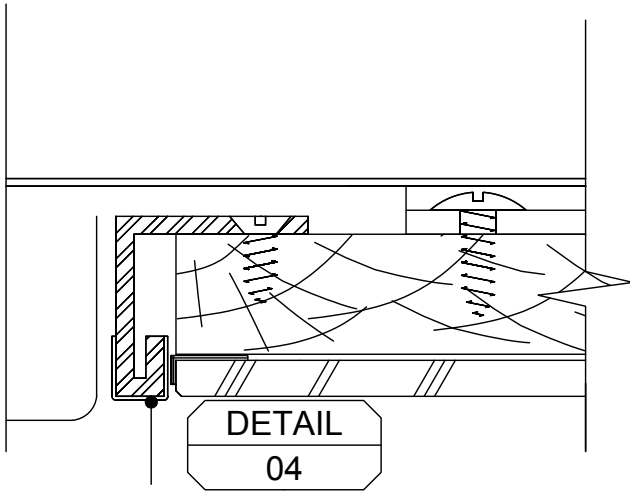
FULLER PHOENIX ARCHITECTURAL PRODUCTS

713.699.2262

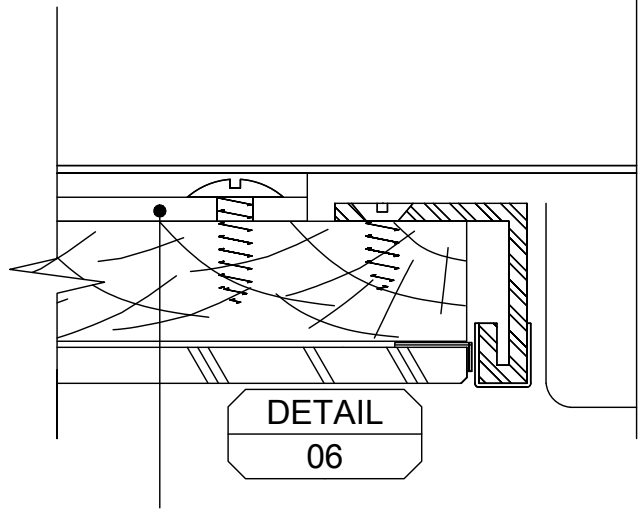
www.fullerphoenix.com



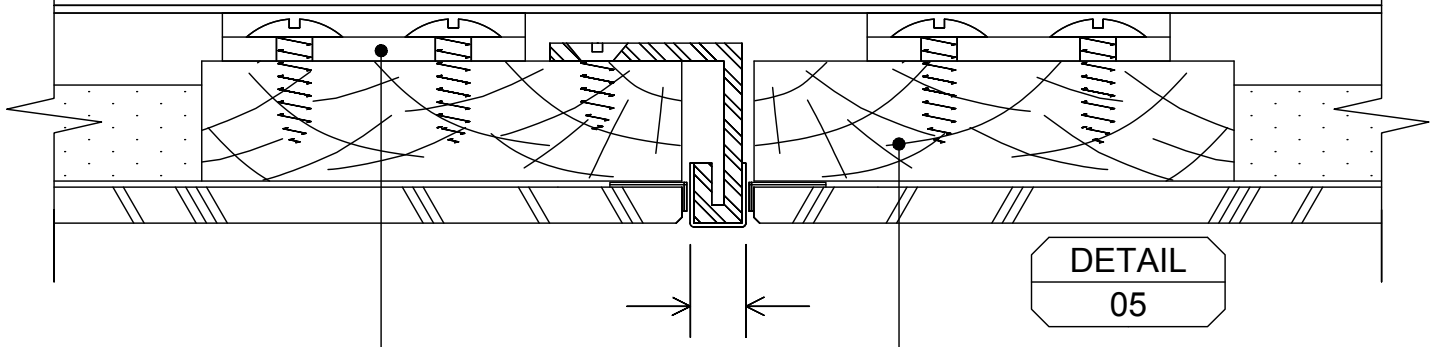
SYSTEM I SERIES 250
FPX 1/4" - 9/32" PROFILE
EXTRUSIONS FULL SIZE



FPX 25J W/ ST.STL.
CHANNEL CAP
TYPE 430, #4 FINISH



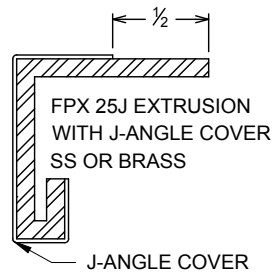
OPTIONAL Z-CLIP
SUPPORT SYSTEM



OPTIONAL Z-CLIP
SUPPORT SYSTEM

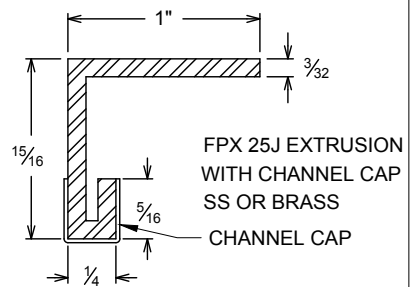
9/32"

WOOD SUPPORT FRAMING
ADHERED TO GLASS



FPX 25J EXTRUSION
WITH J-ANGLE COVER
SS OR BRASS

J-ANGLE COVER



FPX 25J EXTRUSION
WITH CHANNEL CAP
SS OR BRASS

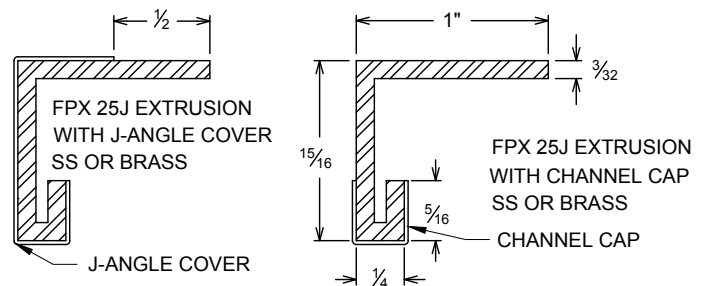
CHANNEL CAP

SYSTEM I SERIES 250 FPX 1/4" - 9/32" PROFILE EXTRUSIONS FULL SIZE

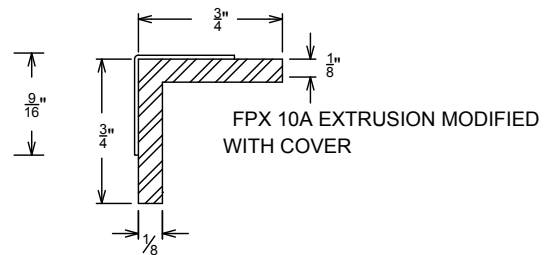
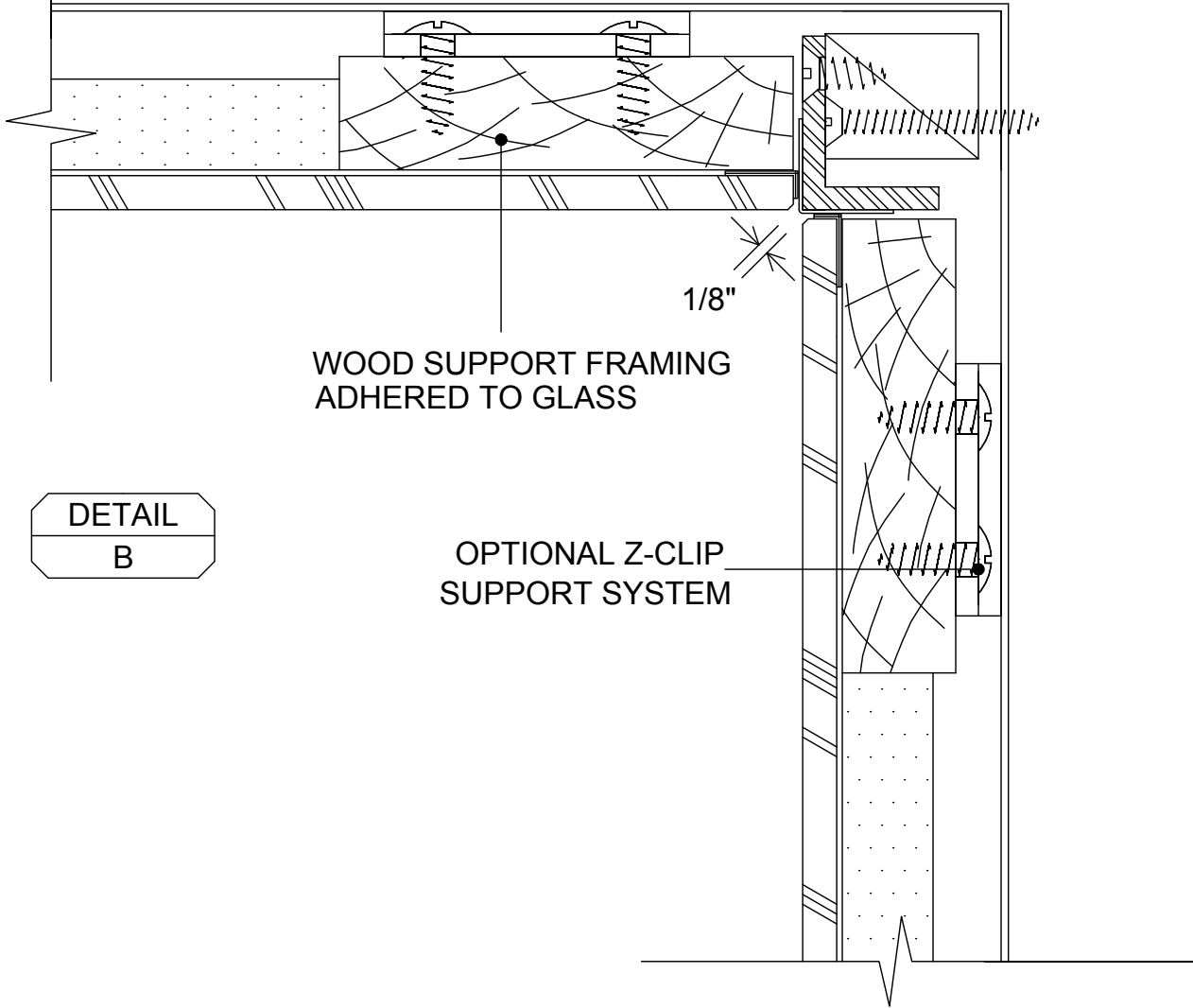
WOOD SUPPORT FRAMING
ADHERED TO GLASS

DETAIL
A

OPTIONAL Z-CLIP
SUPPORT SYSTEM



SYSTEM I SERIES 250
FPX 1/4" - 9/32" PROFILE
EXTRUSIONS FULL SIZE



SYSTEM I SERIES 250
FPX 1/4" - 9/32" PROFILE
EXTRUSIONS FULL SIZE

FOR MORE ABOUT FPX CEILINGS PLEASE
SEE OUR ELEVATOR CEILINGS SECTION

SUPPLIED ELEVATOR BOLTS INSTALLED
AT SPECIFIED LOCATIONS

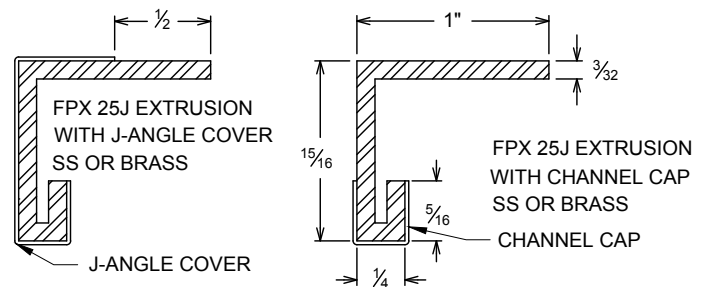
SUPPORT SYSTEM
BY OTHERS

1/2" MIN. WITH Z-CLIPS

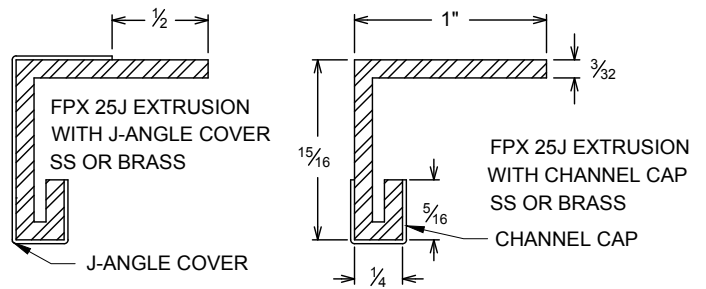
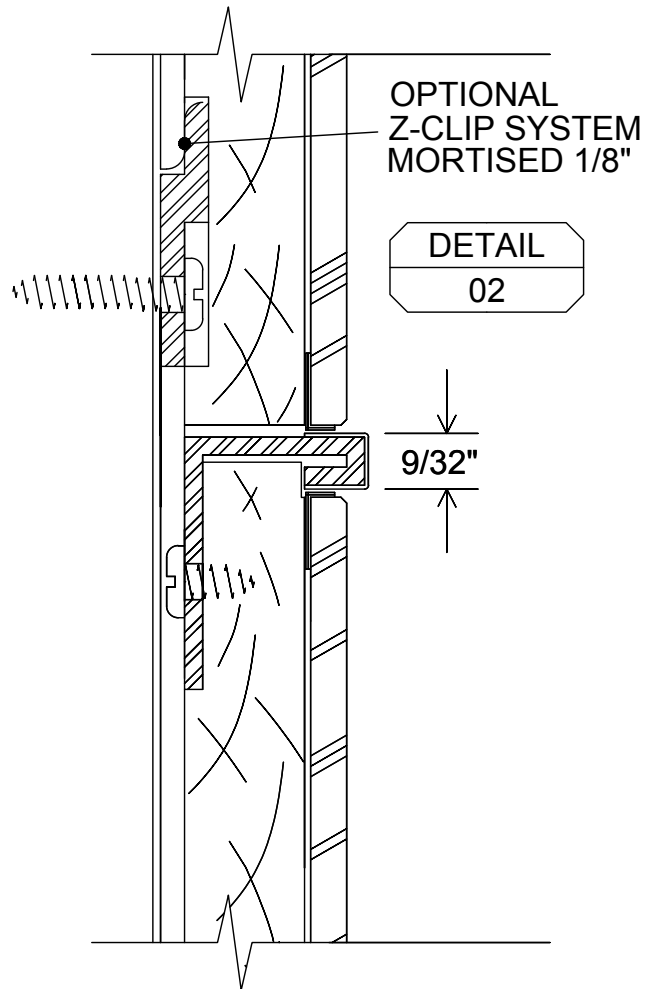
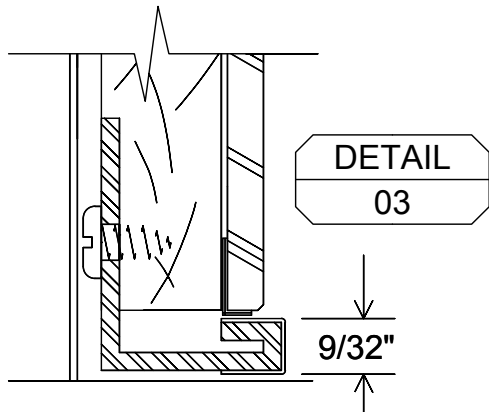
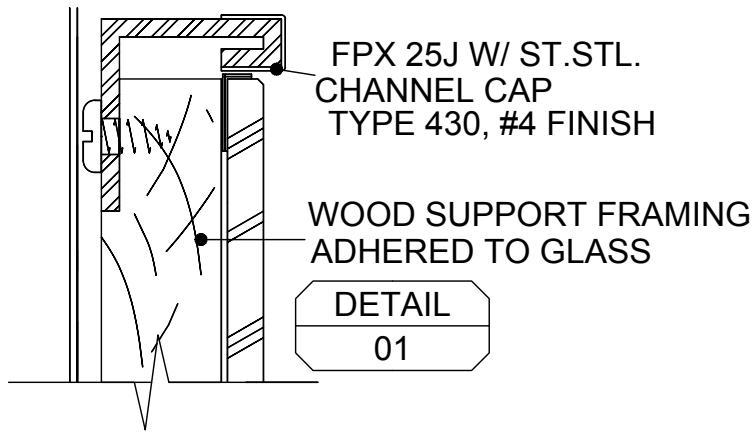
FPX 25J W/ ST.STL.
CHANNEL CAP
TYPE 430, #4 FINISH

DETAIL
C

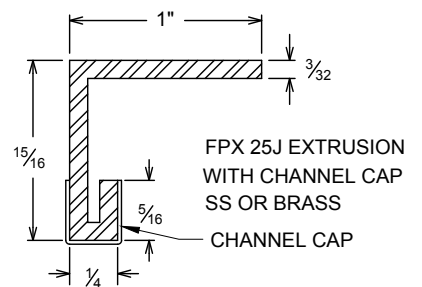
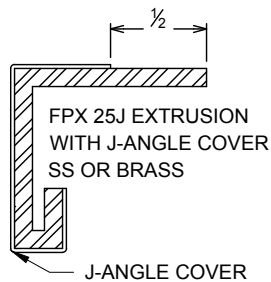
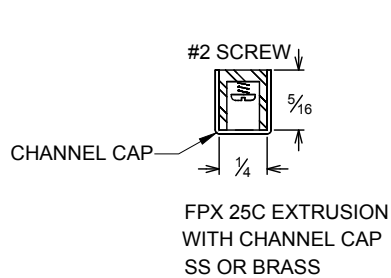
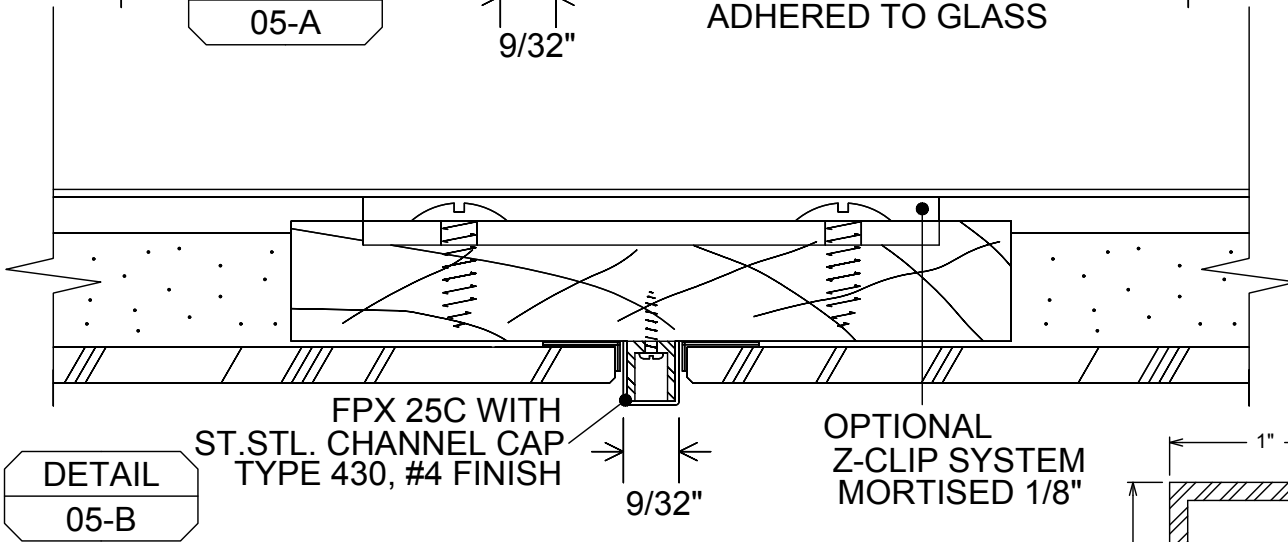
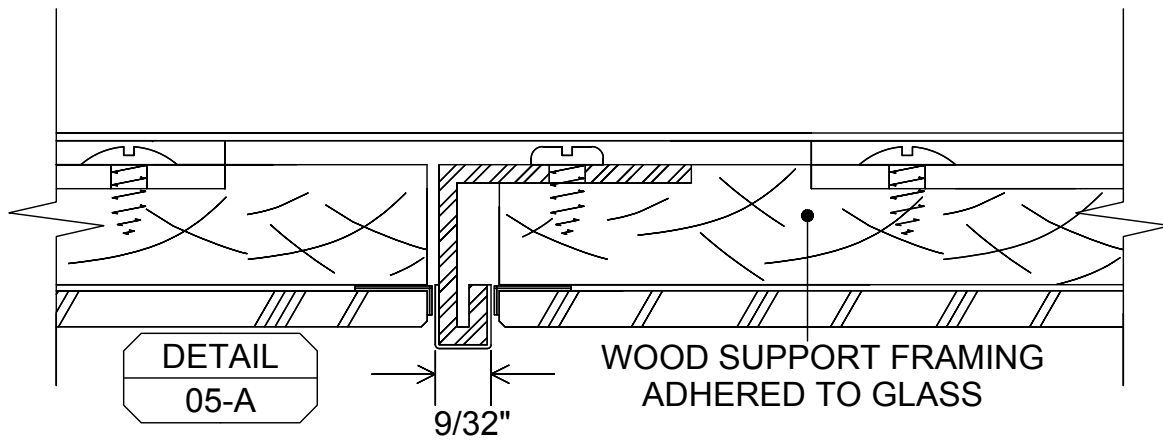
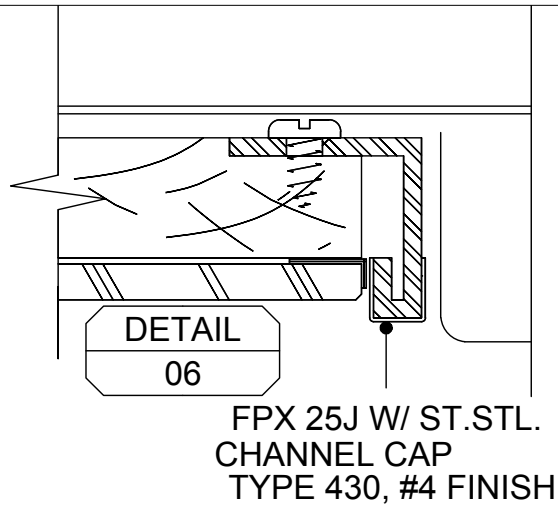
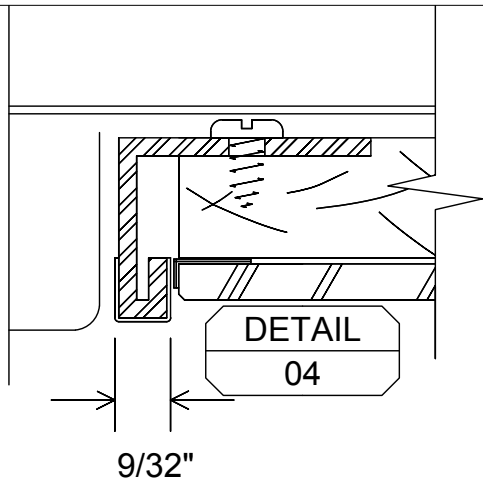
OPTIONAL Z-CLIP
SUPPORT SYSTEM



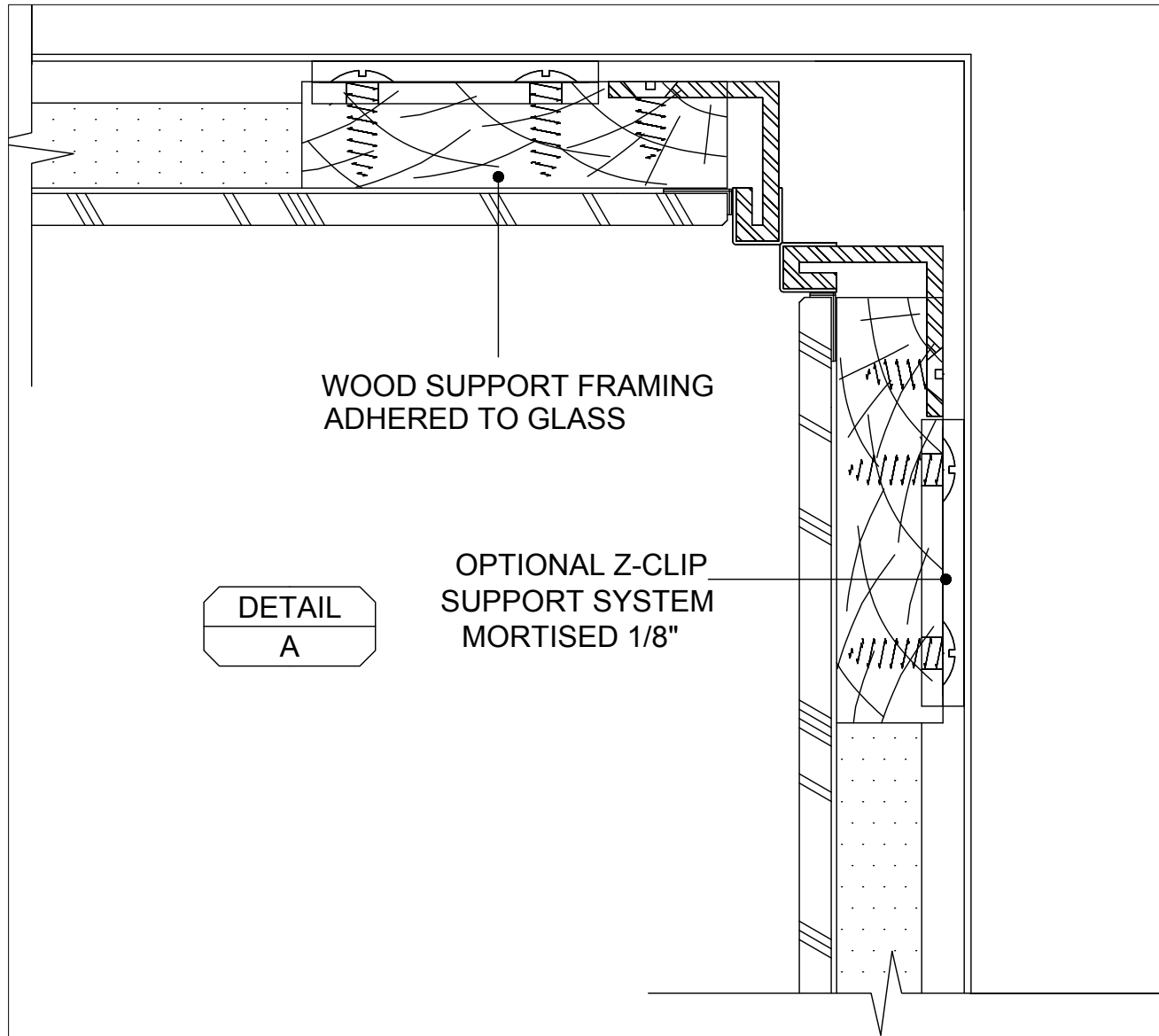
SYSTEM I SERIES 250 FPX 1/4" - 9/32" PROFILE EXTRUSIONS FULL SIZE



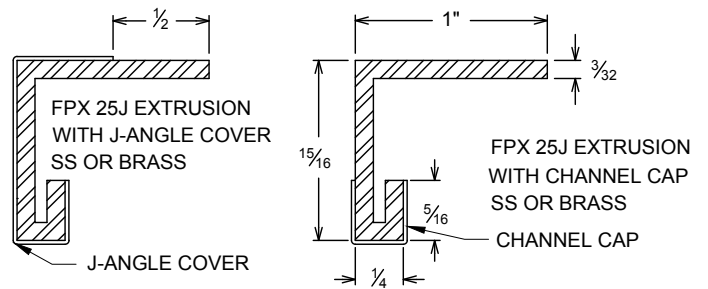
SYSTEM I SERIES 250-EX
FPX 1/4" - 9/32" PROFILE
EXTRUSIONS FULL SIZE



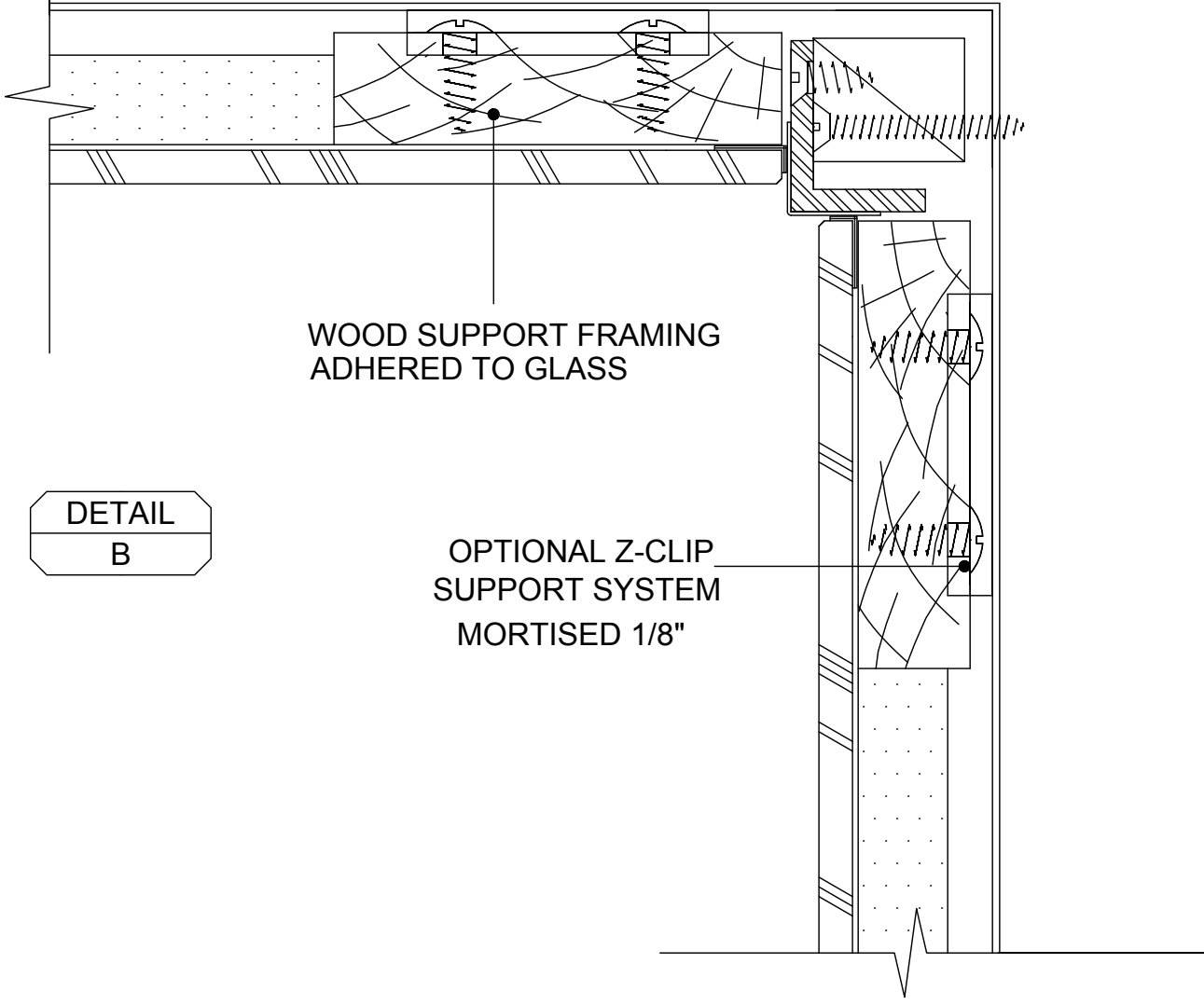
SYSTEM I SERIES 250-EX
FPX 1/4" - 9/32" PROFILE
EXTRUSIONS FULL SIZE



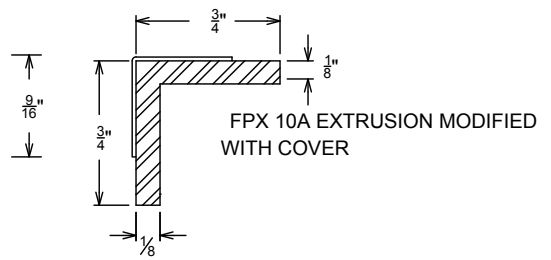
DETAIL
A



SYSTEM I SERIES 250-EX
FPX 1/4" - 9/32" PROFILE
EXTRUSIONS FULL SIZE



DETAIL
B

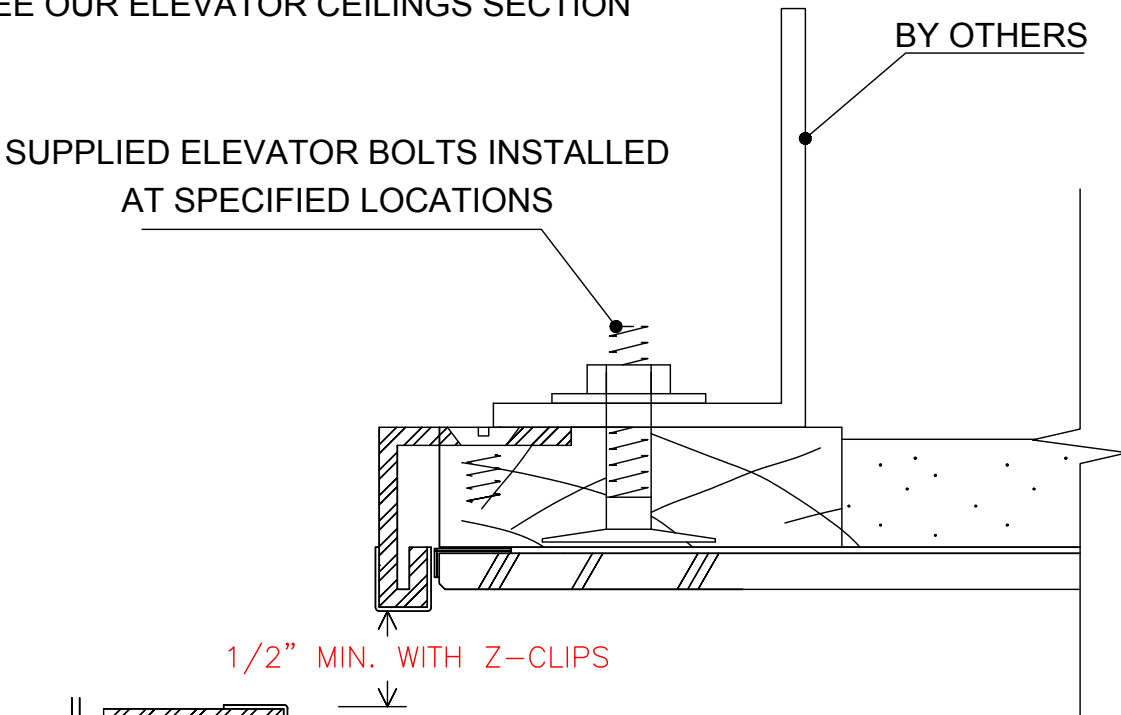


SYSTEM I SERIES 250-EX
FPX 1/4" - 9/32" PROFILE
EXTRUSIONS FULL SIZE

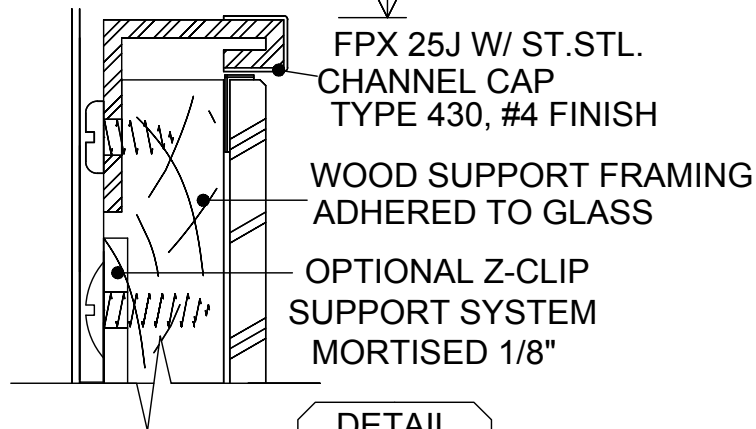
FOR MORE ABOUT FPX CEILINGS PLEASE
SEE OUR ELEVATOR CEILINGS SECTION

SUPPLIED ELEVATOR BOLTS INSTALLED
AT SPECIFIED LOCATIONS

SUPPORT SYSTEM
BY OTHERS



1/2" MIN. WITH Z-CLIPS

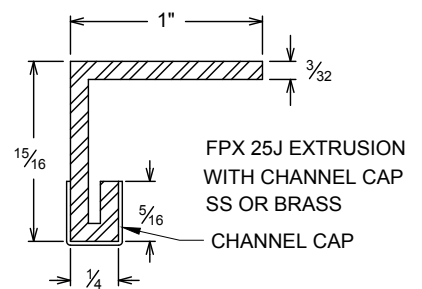
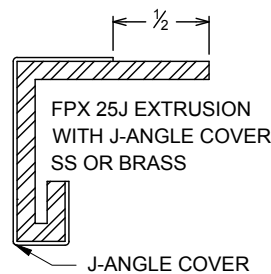


FPX 25J W/ ST.STL.
CHANNEL CAP
TYPE 430, #4 FINISH

WOOD SUPPORT FRAMING
ADHERED TO GLASS

OPTIONAL Z-CLIP
SUPPORT SYSTEM
MORTISED 1/8"

DETAIL
C



SYSTEM I SERIES 250-EX
FPX 1/4" - 9/32" PROFILE
EXTRUSIONS FULL SIZE