

NOT TO SCALE

**FINISHES:**

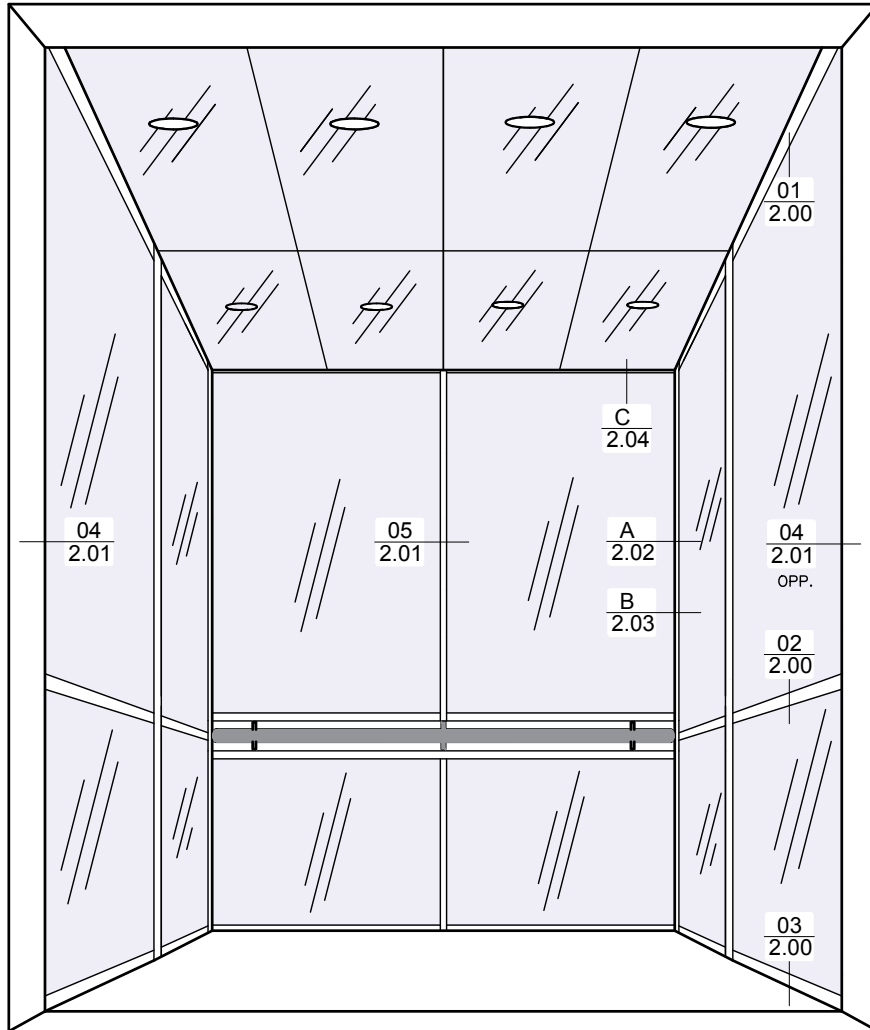
ST. STL. - #4 SATIN, or BRITE  
SPECIAL - CONTACT FACTORY

**SYSTEM I**  
**SERIES-500 EX**  
**EXTENDED**

FULLER PHOENIX ARCHITECTURAL PRODUCTS

713.699.2262

www.fullerphoenix.com



NOT TO SCALE

**FINISHES:**

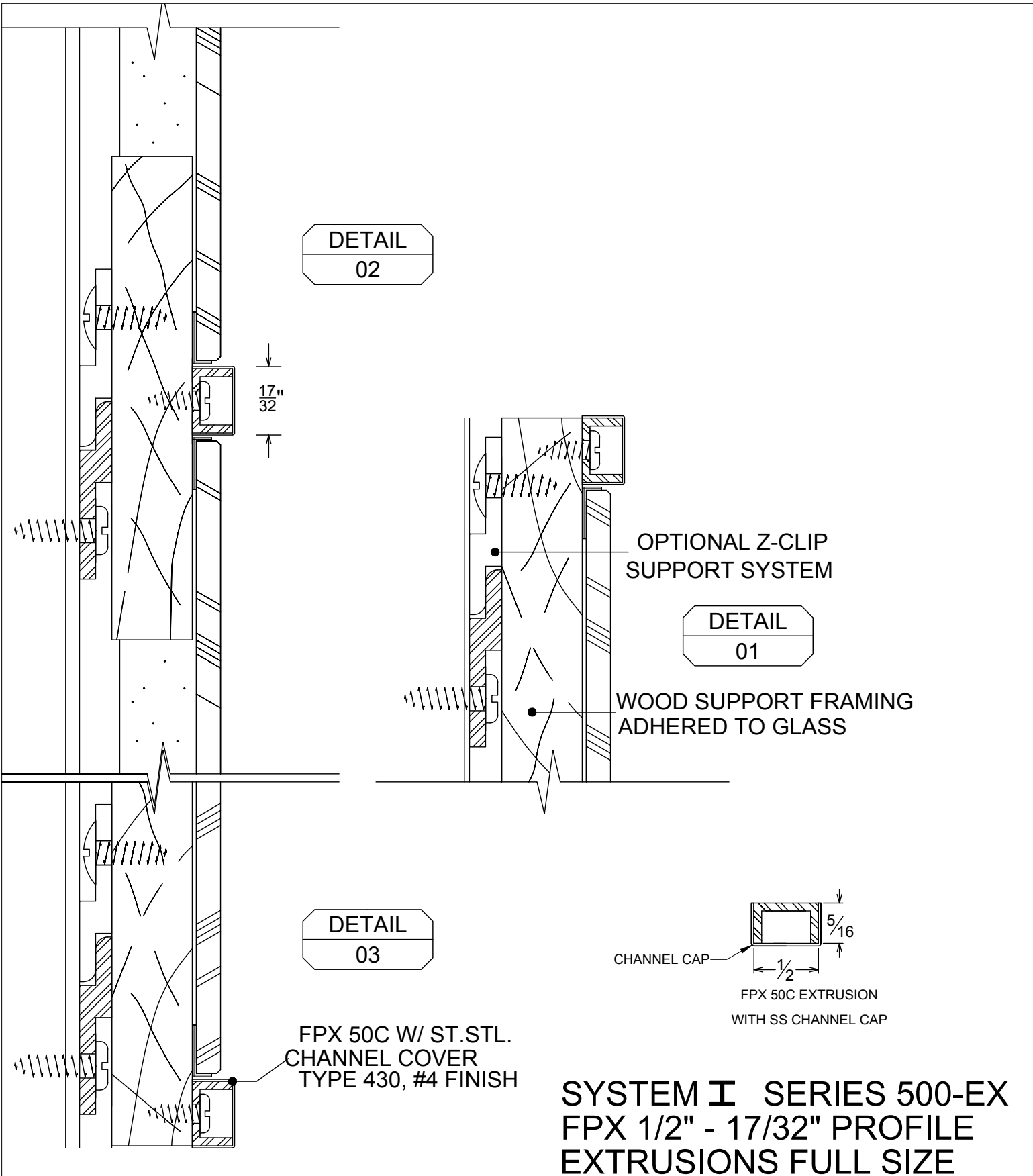
ST. STL. - #4 SATIN, or BRITE  
SPECIAL - CONTACT FACTORY

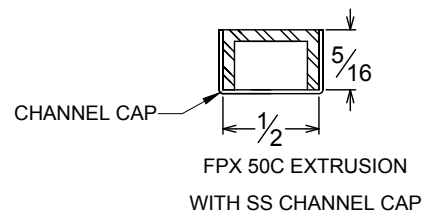
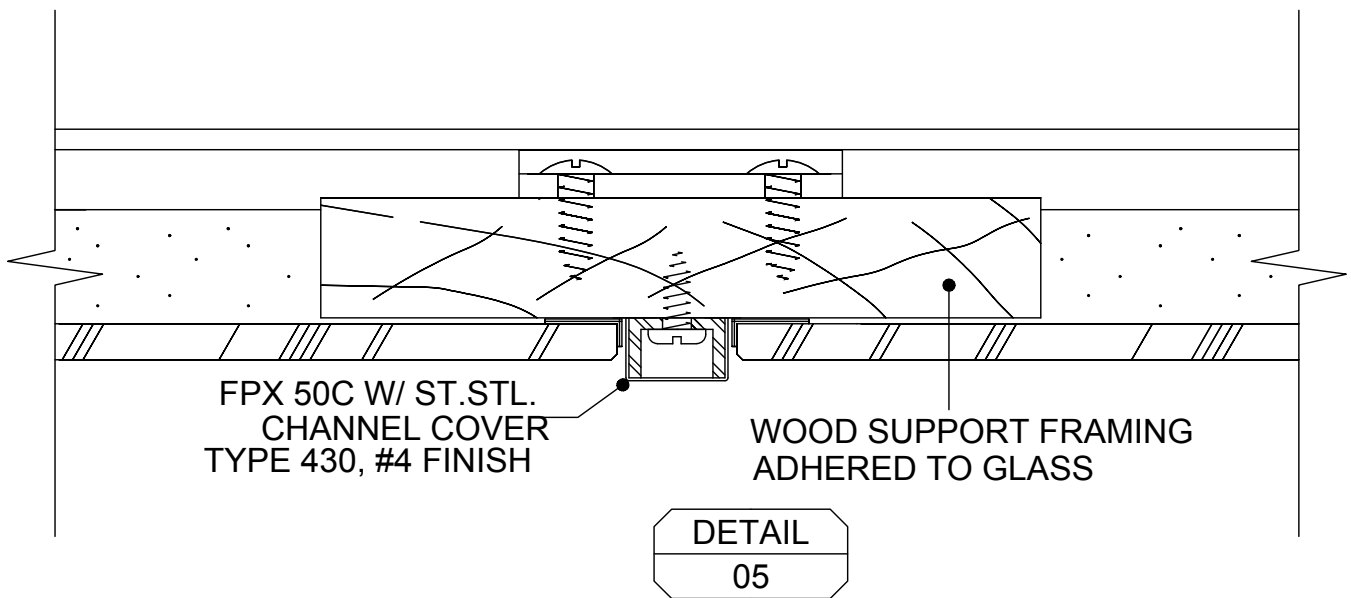
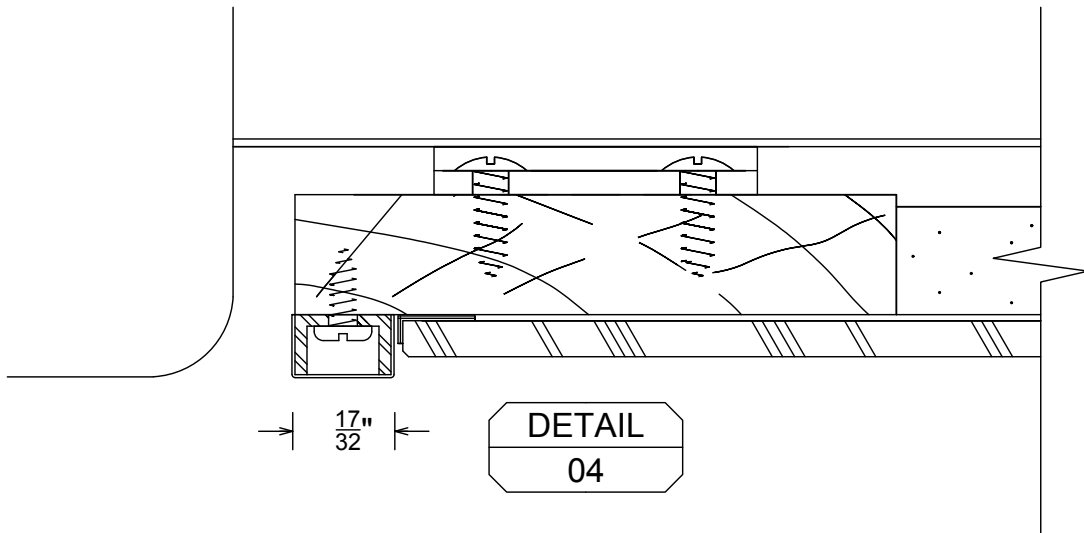
**SYSTEM I**  
**SERIES-500**  
**FLUSH**

FULLER PHOENIX ARCHITECTURAL PRODUCTS

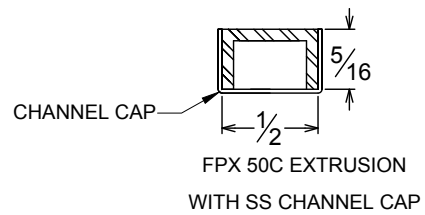
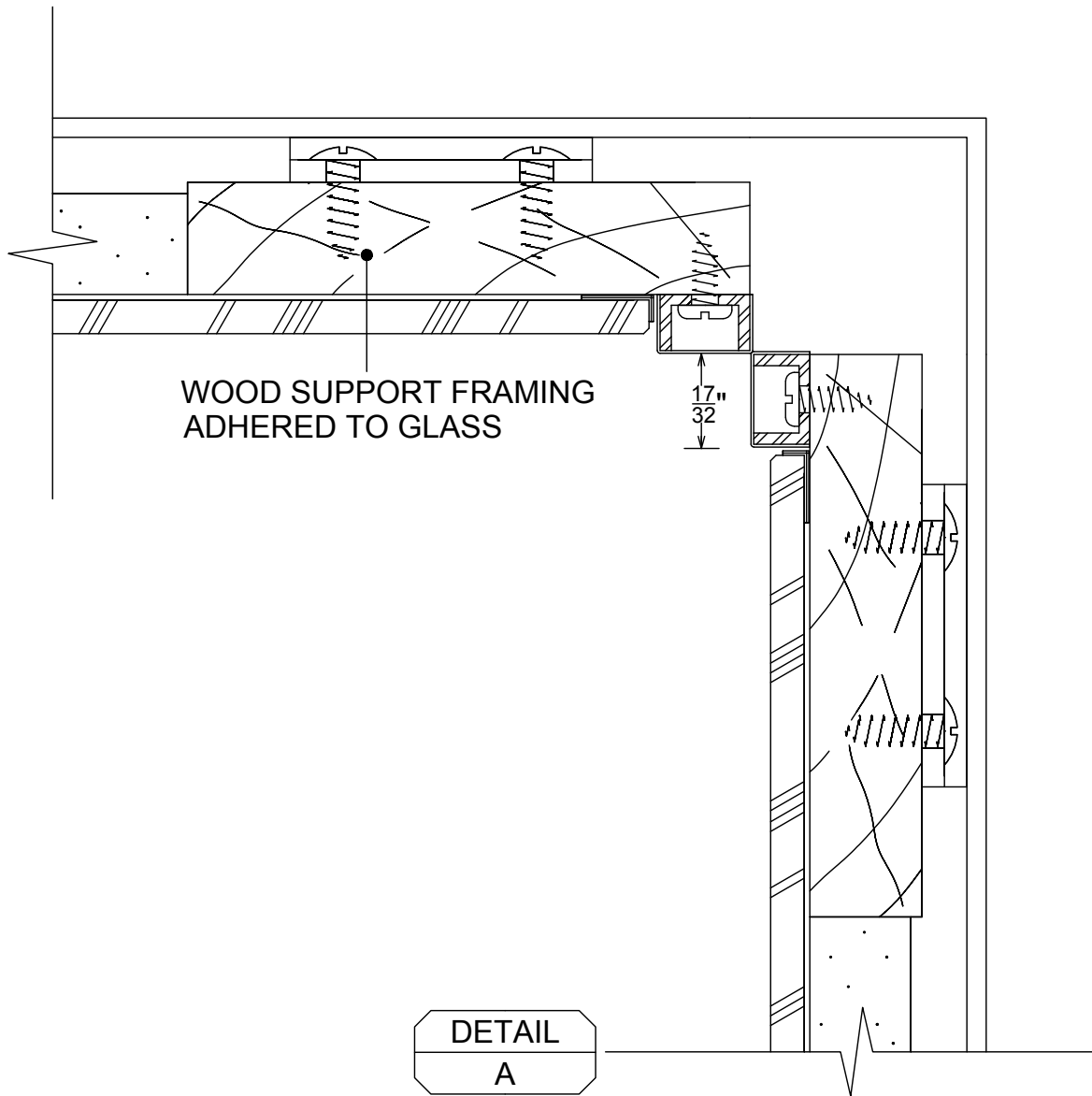
713.699.2262

www.fullerphoenix.com

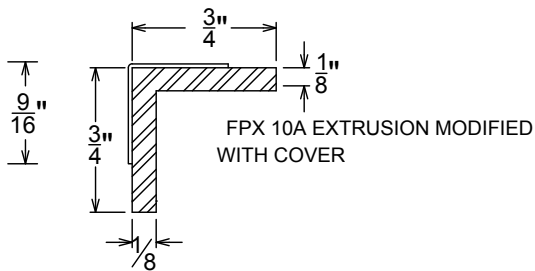
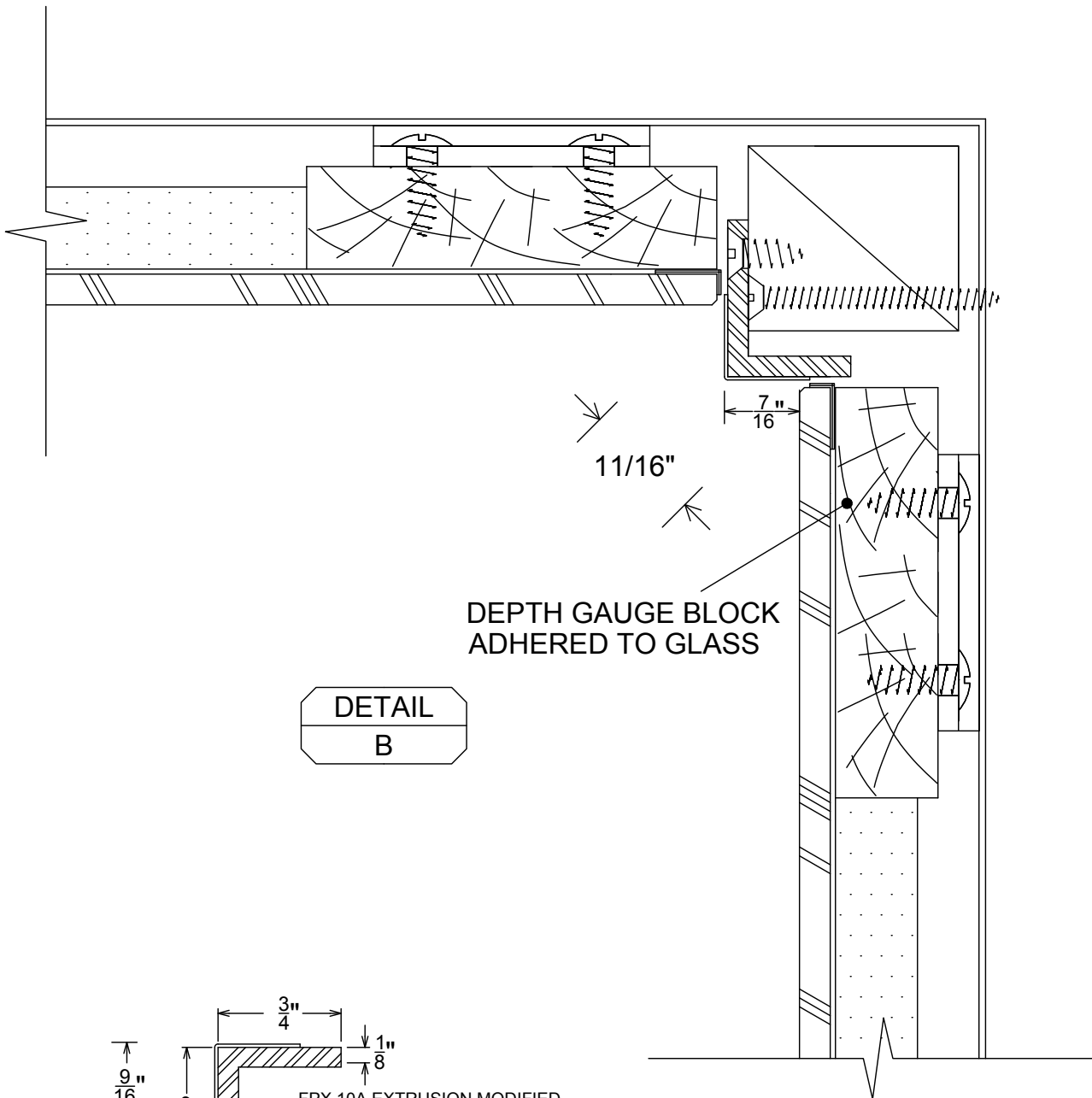




**SYSTEM I SERIES 500-EX**  
**FPX 1/2" - 17/32" PROFILE**  
**EXTRUSIONS FULL SIZE**



**SYSTEM I SERIES 500-EX**  
**FPX 1/2" - 17/32" PROFILE**  
**EXTRUSIONS FULL SIZE**

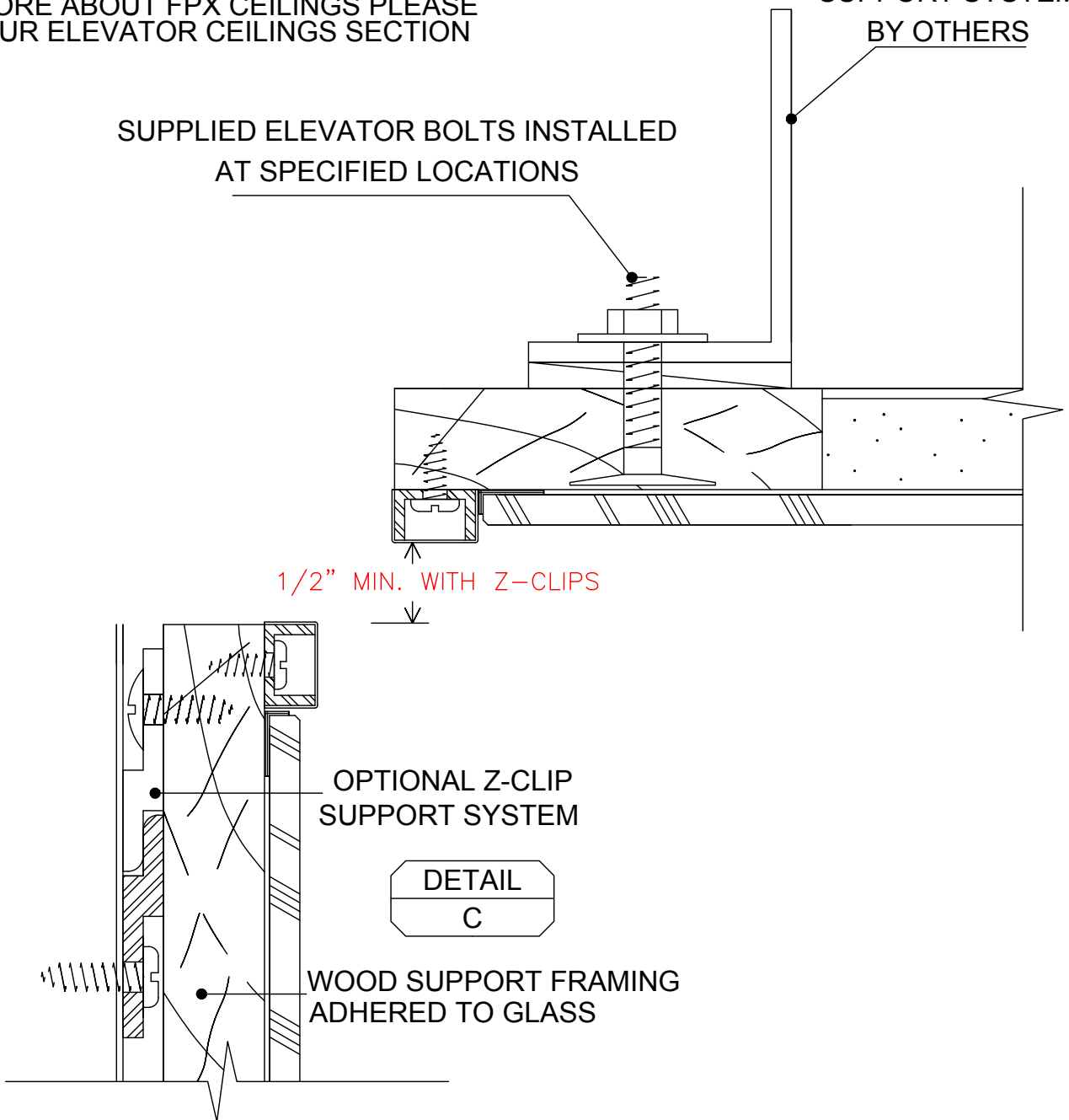


**SYSTEM I SERIES 500-EX  
FPX 1/2" - 17/32" PROFILE  
EXTRUSIONS FULL SIZE**

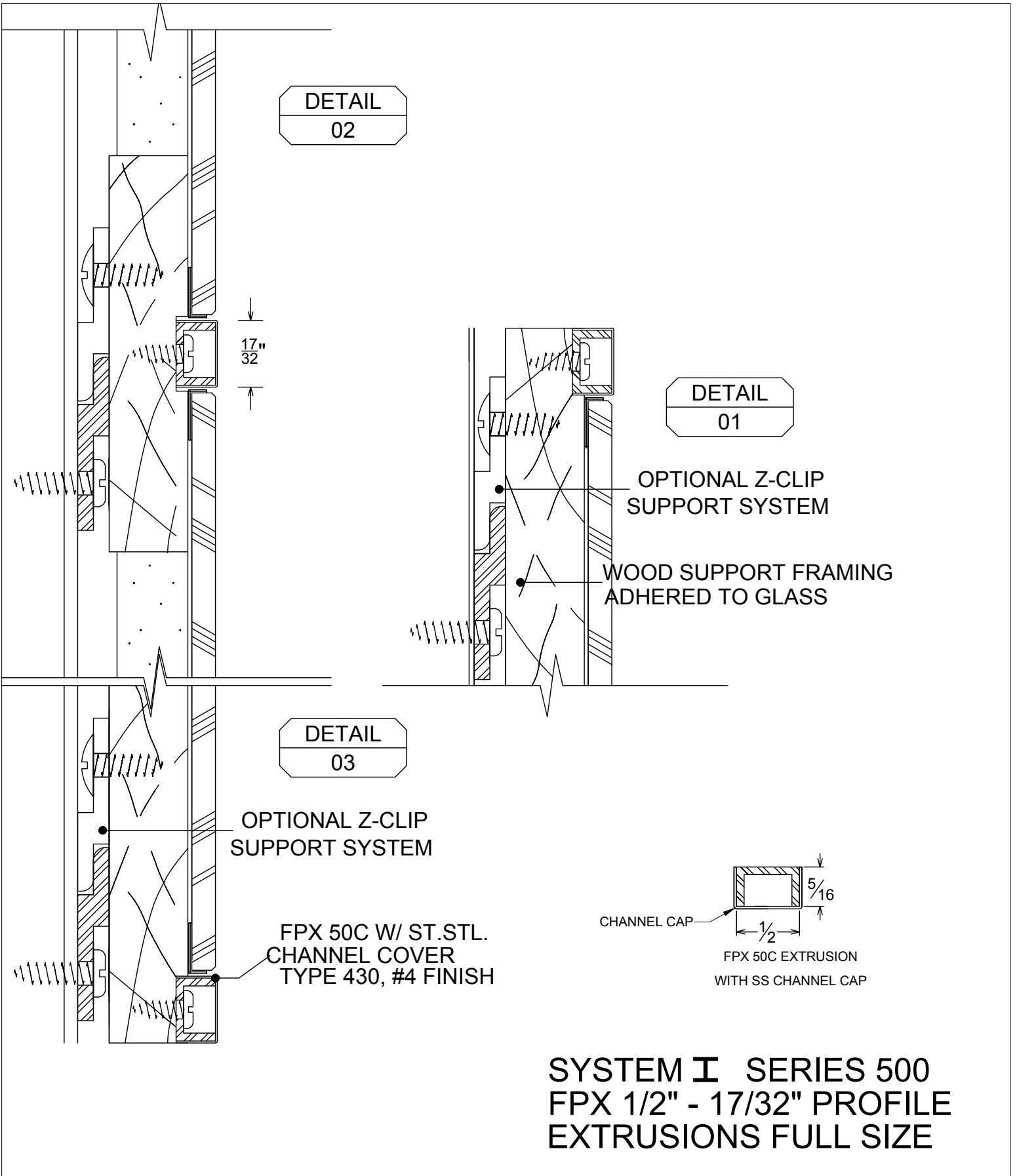
FOR MORE ABOUT FPX CEILINGS PLEASE  
SEE OUR ELEVATOR CEILINGS SECTION

SUPPLIED ELEVATOR BOLTS INSTALLED  
AT SPECIFIED LOCATIONS

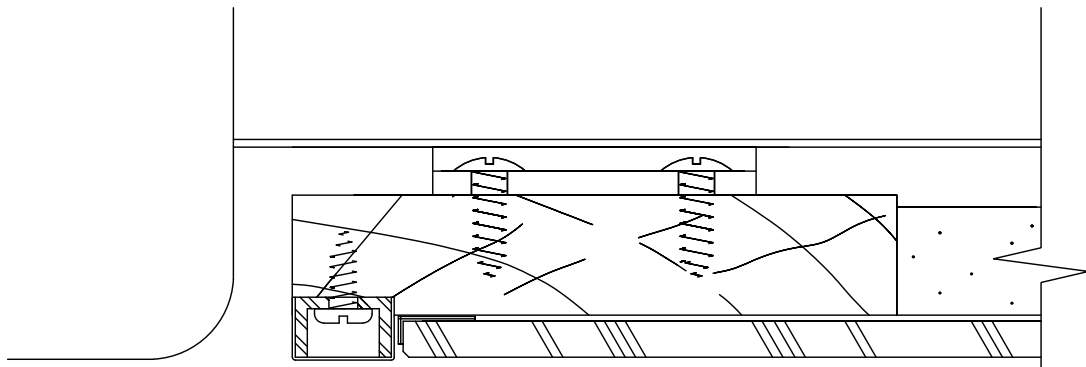
SUPPORT SYSTEM  
BY OTHERS



**SYSTEM I SERIES 500-EX**  
**FPX 1/2" - 17/32" PROFILE**  
**EXTRUSIONS FULL SIZE**

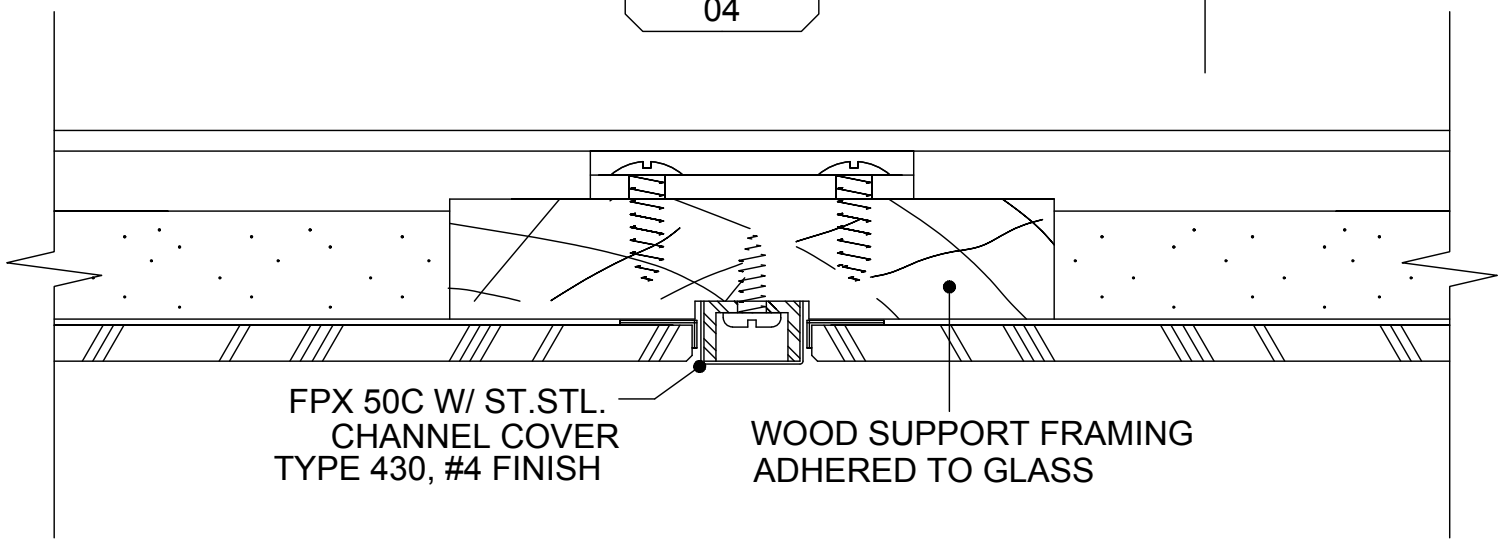






→ 17"  
32 ←

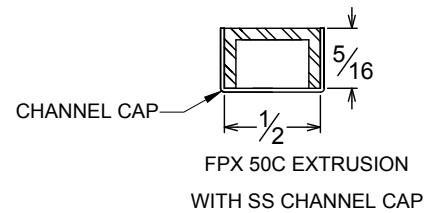
DETAIL  
04



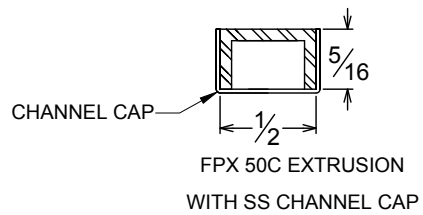
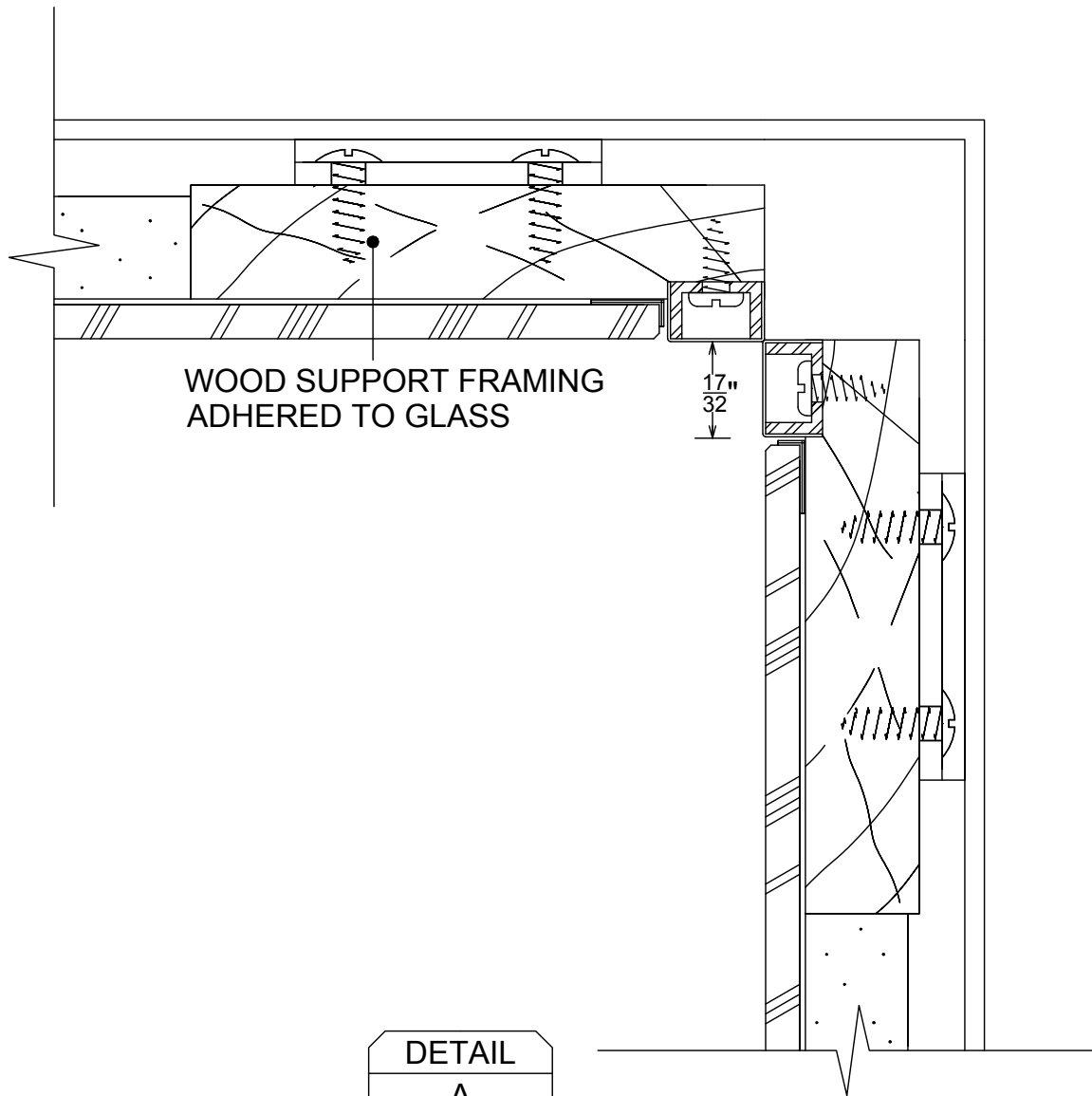
FPX 50C W/ ST.STL.  
CHANNEL COVER  
TYPE 430, #4 FINISH

WOOD SUPPORT FRAMING  
ADHERED TO GLASS

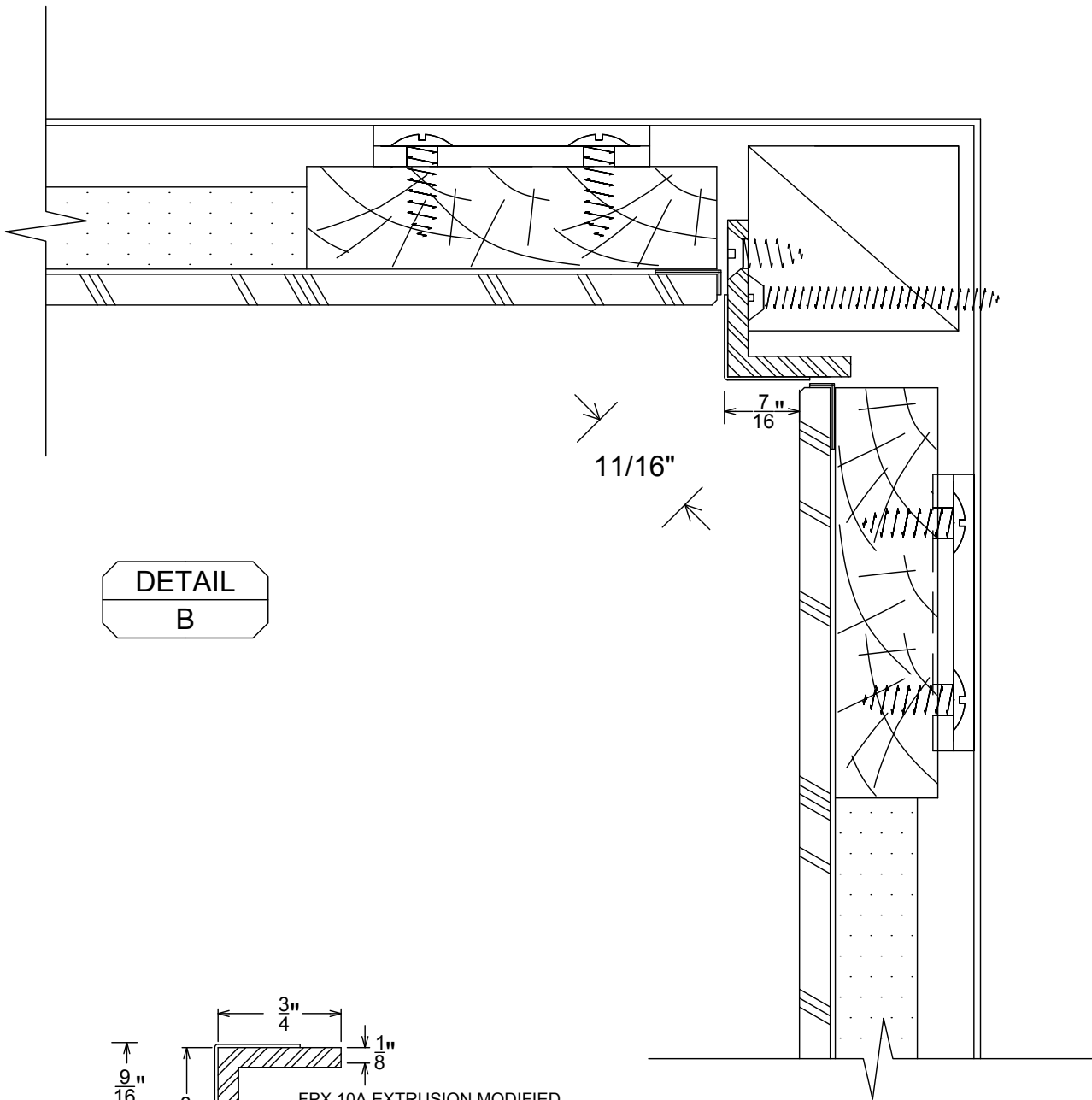
DETAIL  
05



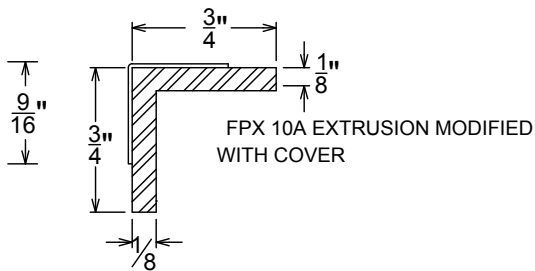
**SYSTEM I SERIES 500**  
**FPX 1/2" - 17/32" PROFILE**  
**EXTRUSIONS FULL SIZE**



**SYSTEM I SERIES 500  
FPX 1/2" - 17/32" PROFILE  
EXTRUSIONS FULL SIZE**



DETAIL  
B



**SYSTEM I SERIES 500  
FPX 1/2" - 17/32" PROFILE  
EXTRUSIONS FULL SIZE**

FOR MORE ABOUT FPX CEILINGS PLEASE  
SEE OUR ELEVATOR CEILINGS SECTION

SUPPLIED ELEVATOR BOLTS INSTALLED  
AT SPECIFIED LOCATIONS

SUPPORT SYSTEM  
BY OTHERS

1/2" MIN. WITH Z-CLIPS

DETAIL  
C

OPTIONAL Z-CLIP  
SUPPORT SYSTEM

WOOD SUPPORT FRAMING  
ADHERED TO GLASS

**SYSTEM I SERIES 500**  
**FPX 1/2" - 17/32" PROFILE**  
**EXTRUSIONS FULL SIZE**