

NOT TO SCALE

**FINISHES:**

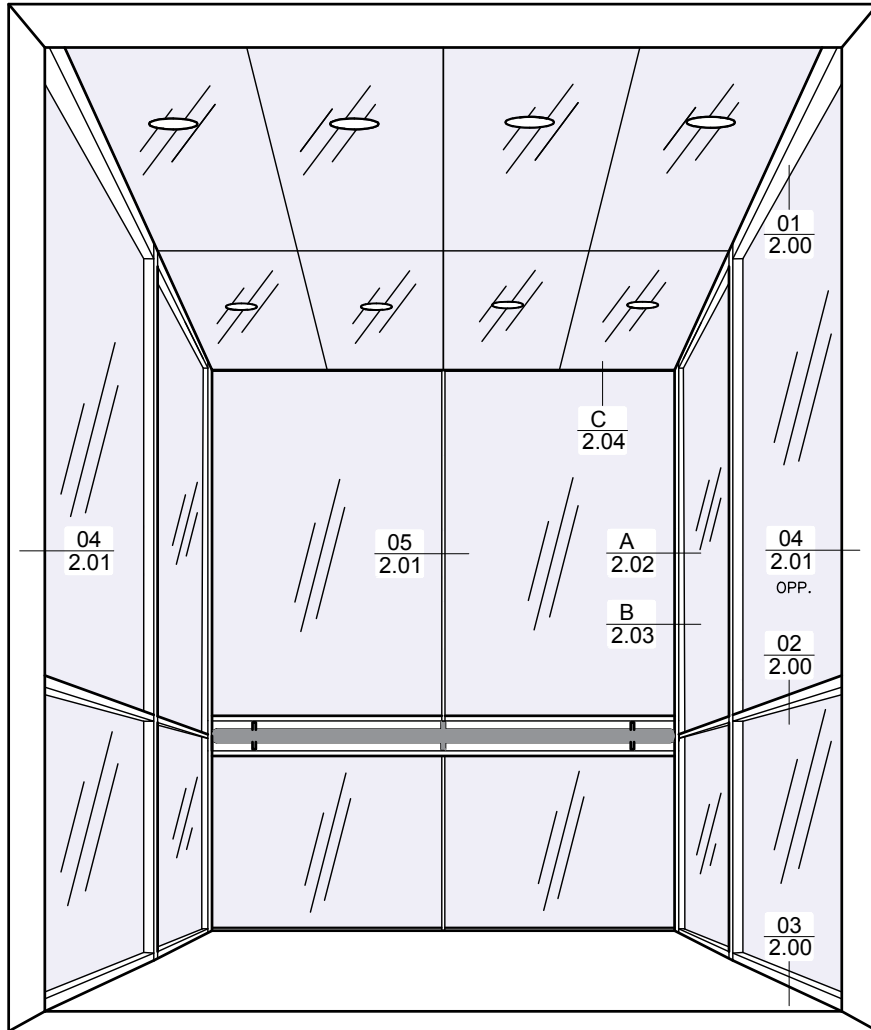
ALUM. - PAINTED or ANODIZED  
ST. STL. - #4 SATIN, or BRITE  
SPECIAL - CONTACT FACTORY

**SYSTEM II**  
**SERIES-125**  
**FLUSH**

FULLER PHOENIX ARCHITECTURAL PRODUCTS

713.699.2262

www.fullerphoenix.com



NOT TO SCALE

**FINISHES:**

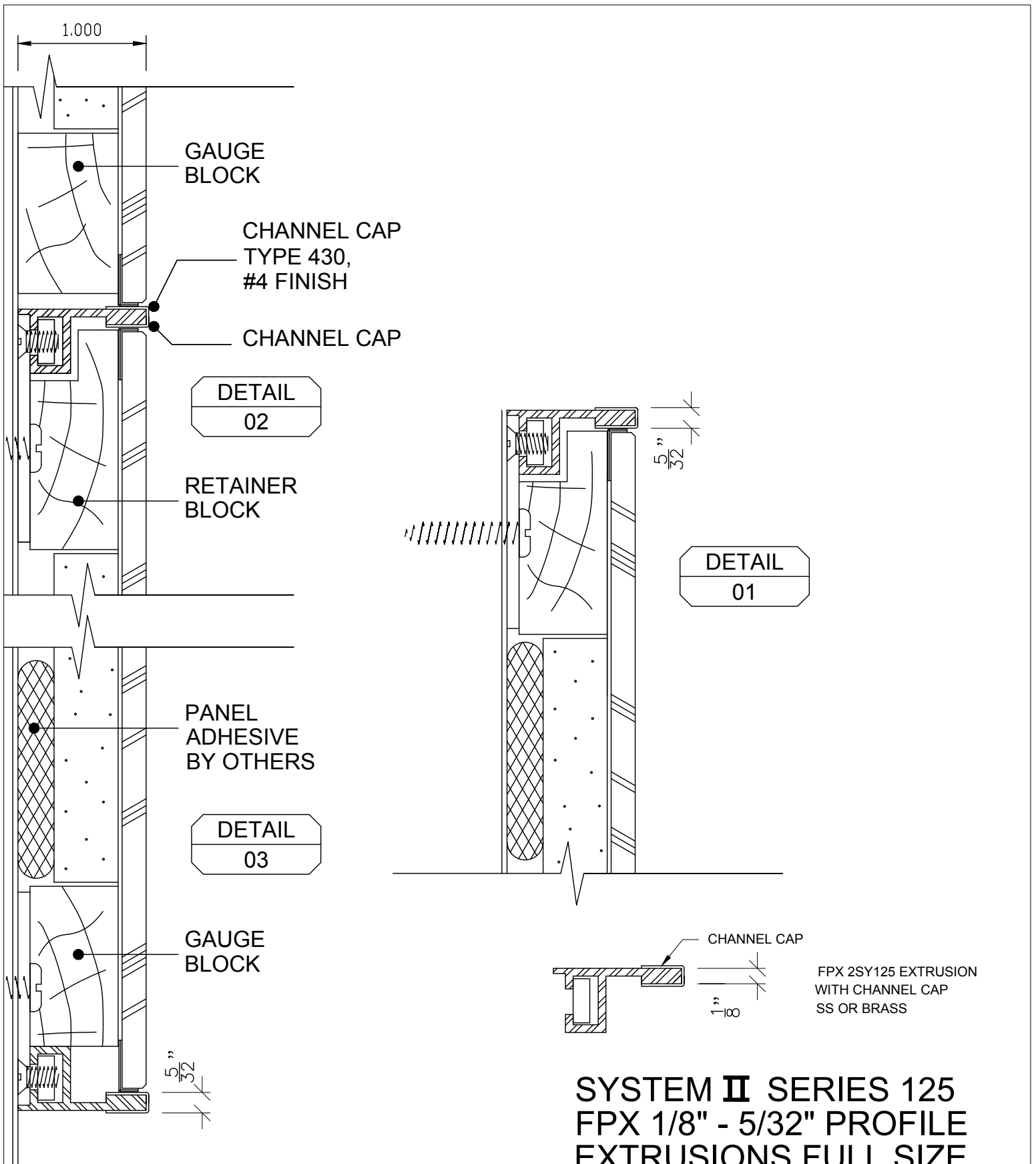
ALUM. - PAINTED or ANODIZED  
ST. STL. - #4 SATIN, or BRITE  
SPECIAL - CONTACT FACTORY

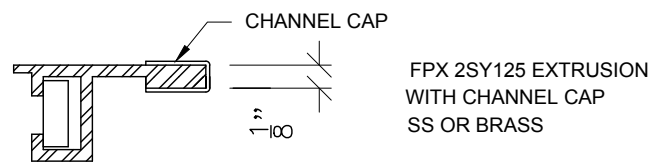
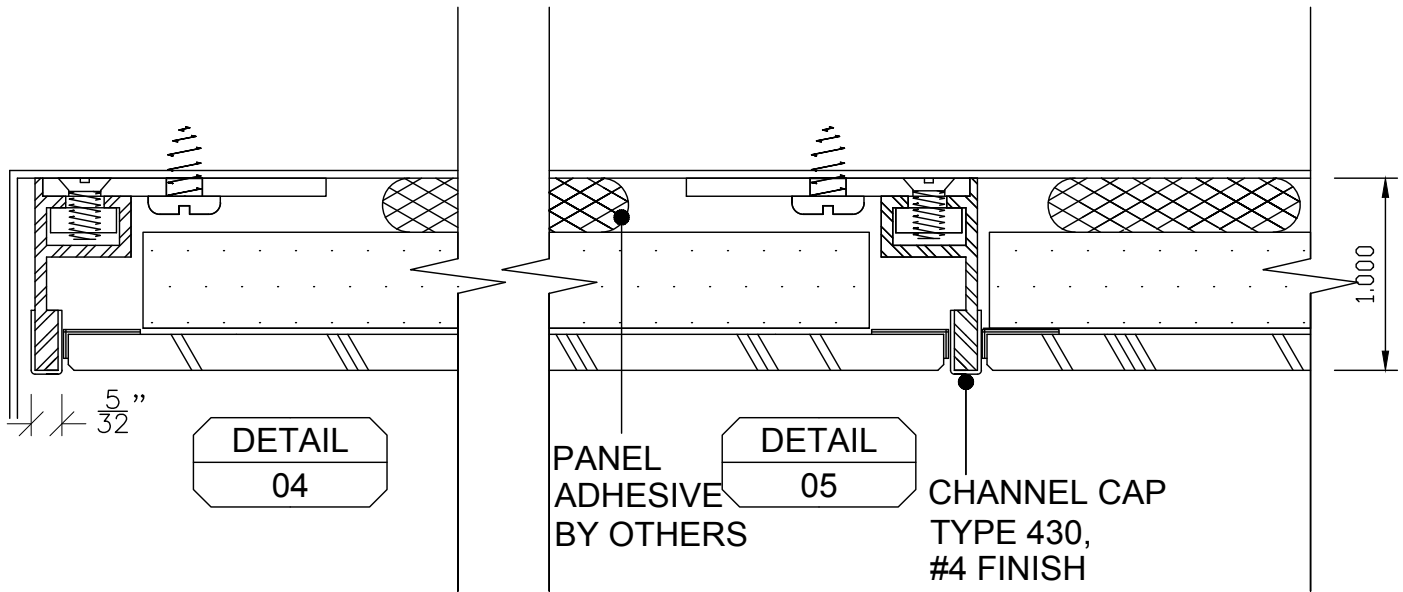
**SYSTEM II**  
**SERIES-125 EX**  
**EXTENDED**

FULLER PHOENIX ARCHITECTURAL PRODUCTS

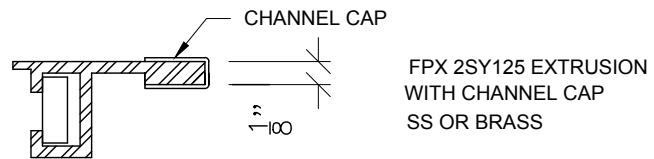
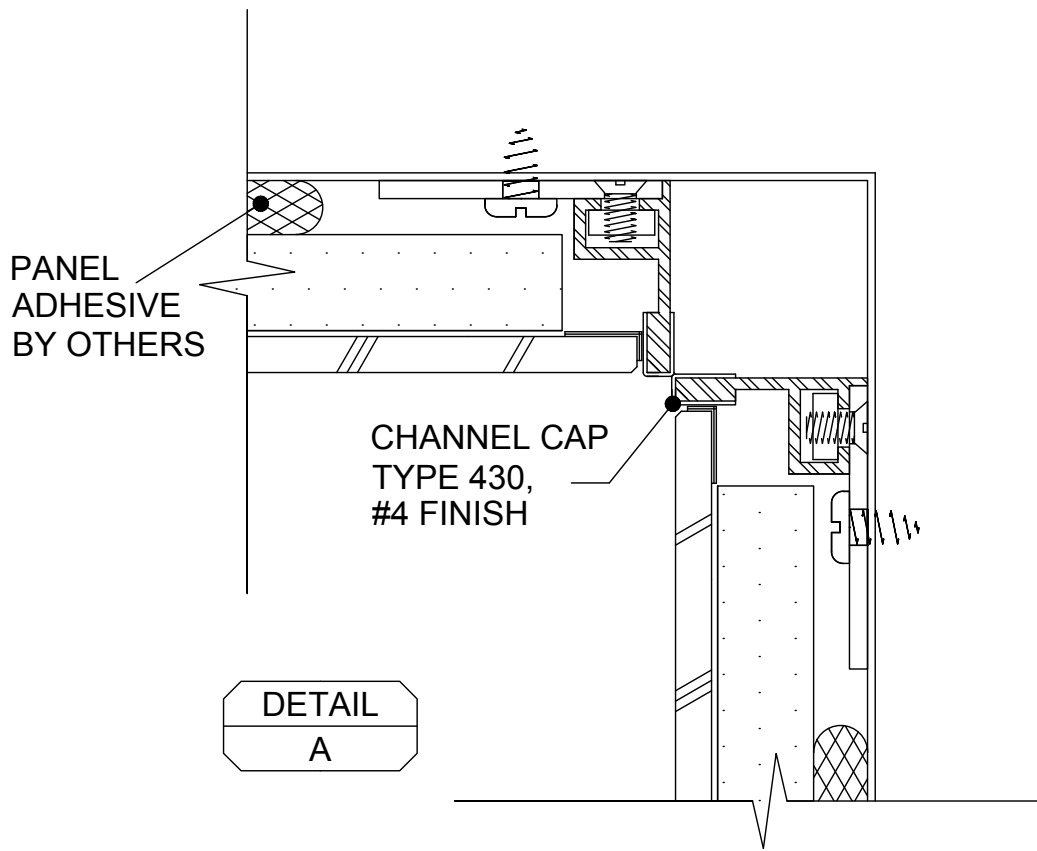
713.699.2262

www.fullerphoenix.com

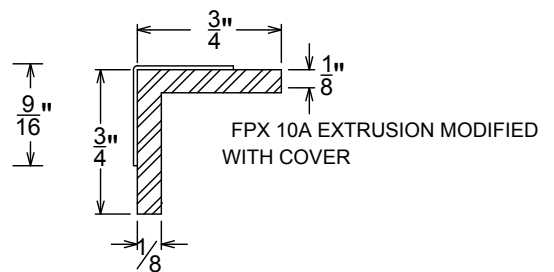
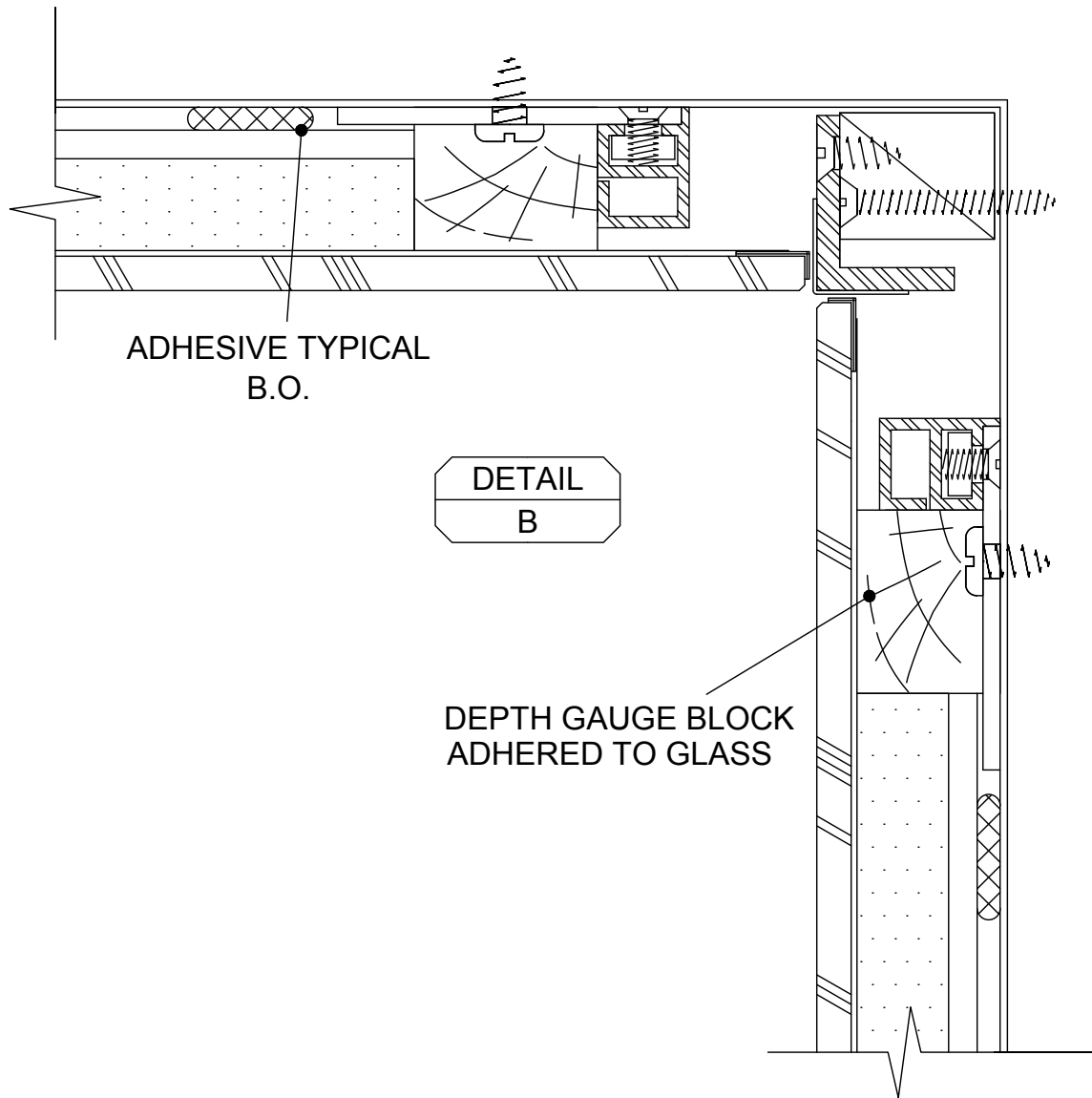




**SYSTEM II SERIES 125  
FPX 1/8" - 5/32" PROFILE  
EXTRUSIONS FULL SIZE**



**SYSTEM II SERIES 125  
FPX 1/8" - 5/32" PROFILE  
EXTRUSIONS FULL SIZE**

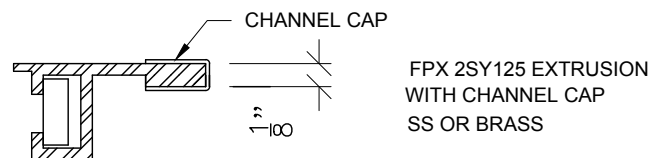
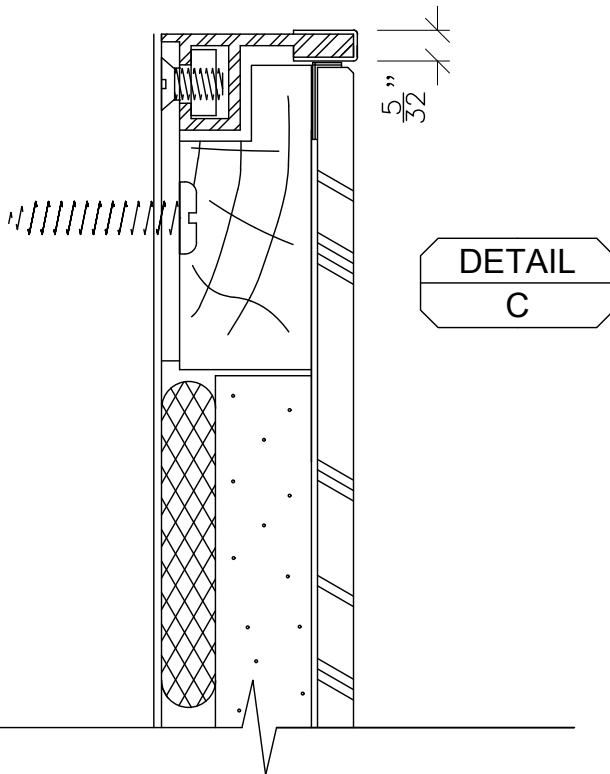
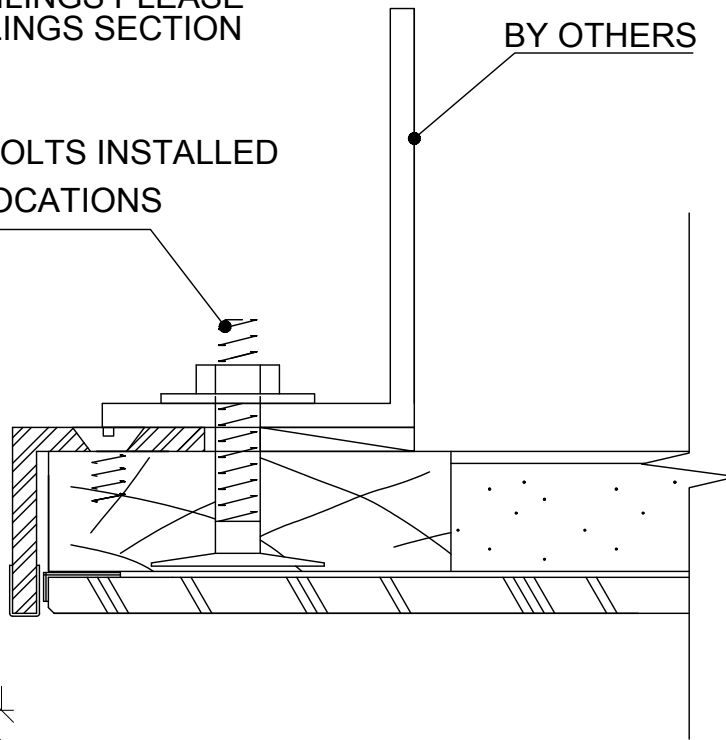


**SYSTEM II SERIES 125  
 FPX 1/8" - 5/32" PROFILE  
 EXTRUSIONS FULL SIZE**

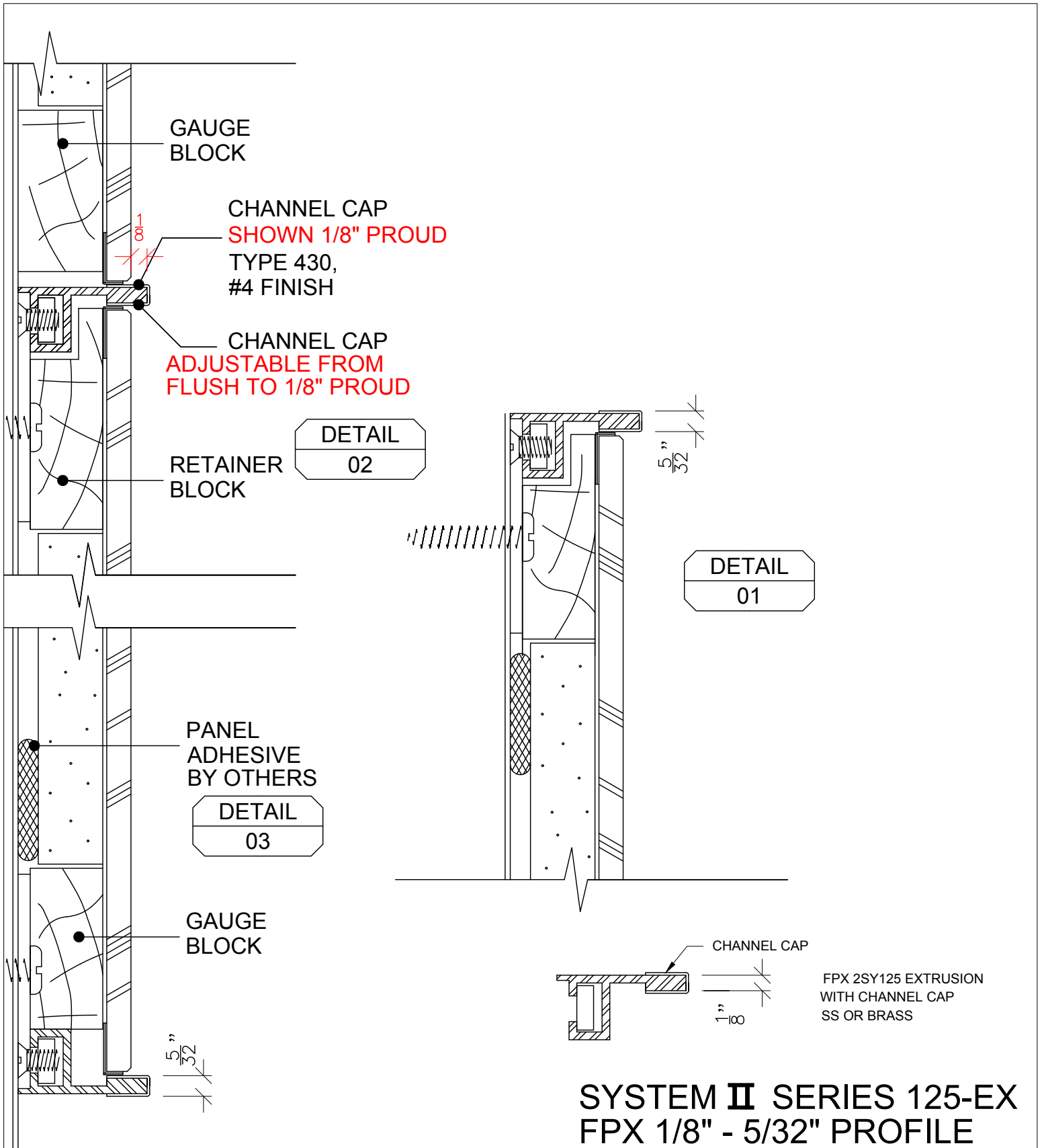
FOR MORE ABOUT FPX CEILINGS PLEASE  
SEE OUR ELEVATOR CEILINGS SECTION

SUPPLIED ELEVATOR BOLTS INSTALLED  
AT SPECIFIED LOCATIONS

SUPPORT SYSTEM  
BY OTHERS

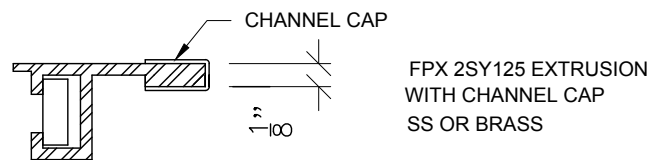
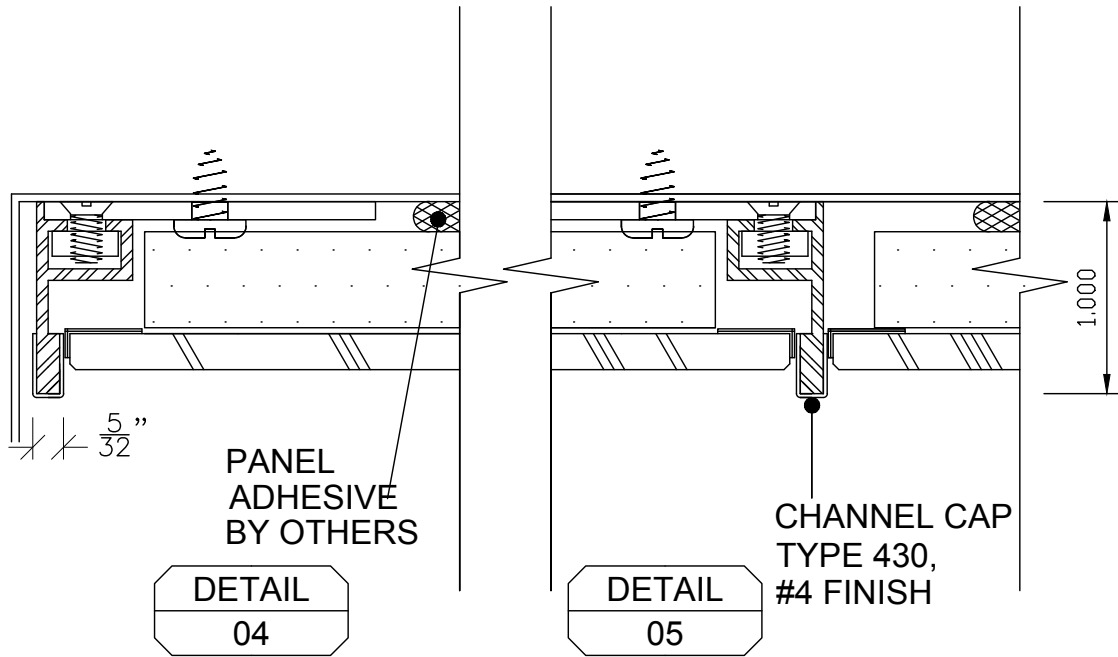


**SYSTEM II SERIES 125**  
**FPX 1/8" - 5/32" PROFILE**  
**EXTRUSIONS FULL SIZE**

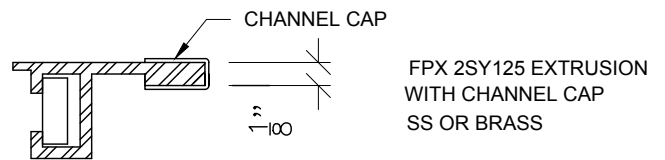
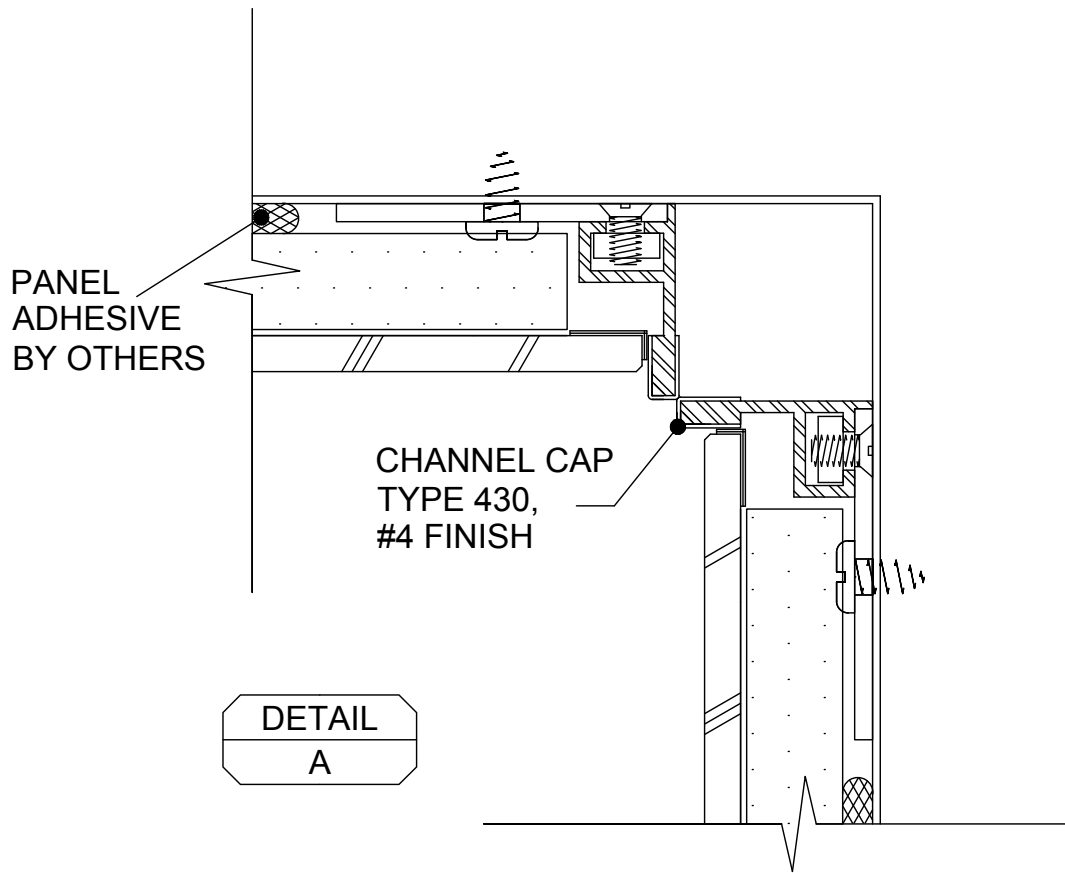


**SYSTEM II SERIES 125-EX  
FPX 1/8" - 5/32" PROFILE  
EXTRUSIONS FULL SIZE**

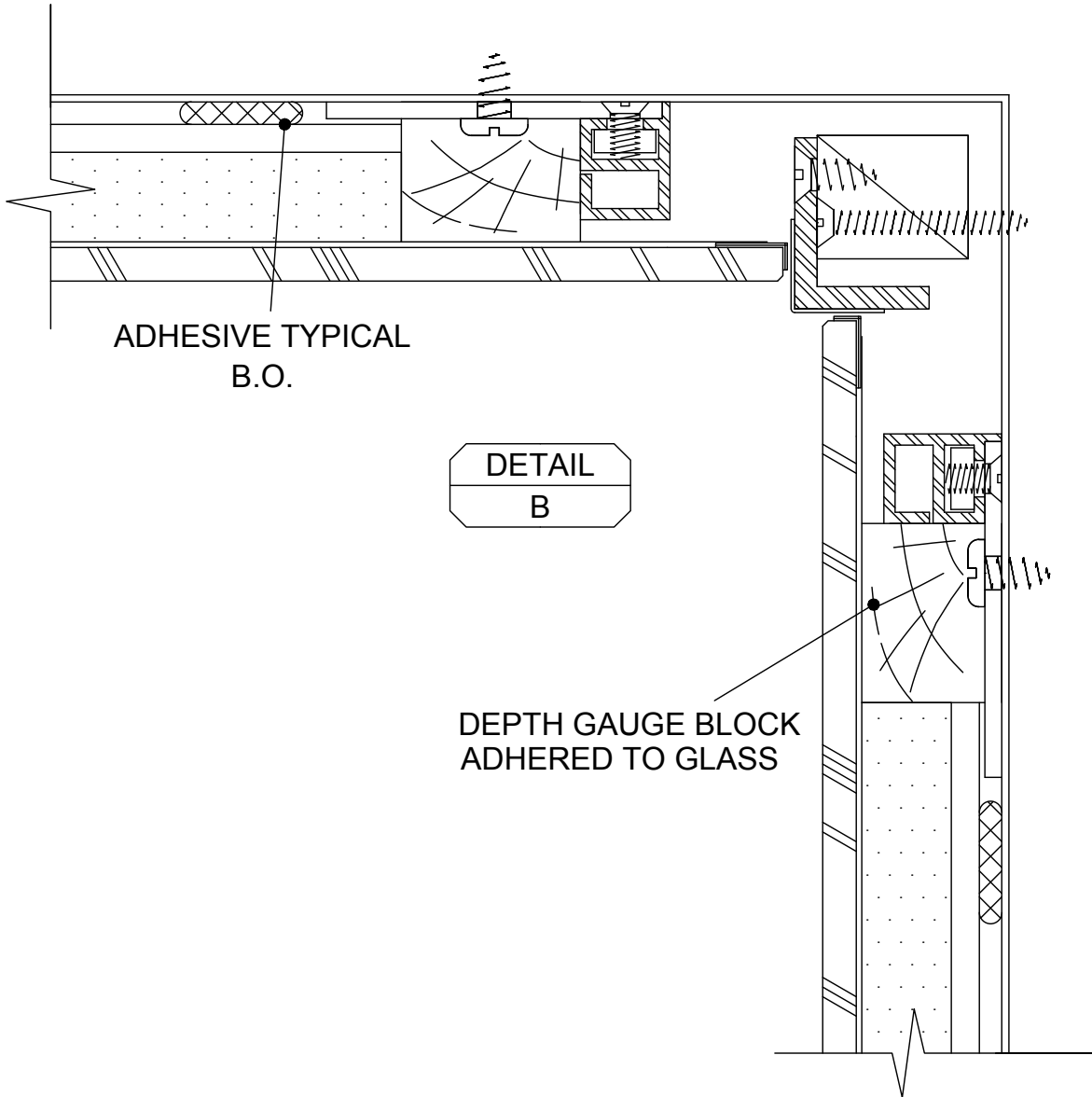




**SYSTEM II SERIES 125-EX  
FPX 1/8" - 5/32" PROFILE  
EXTRUSIONS FULL SIZE**



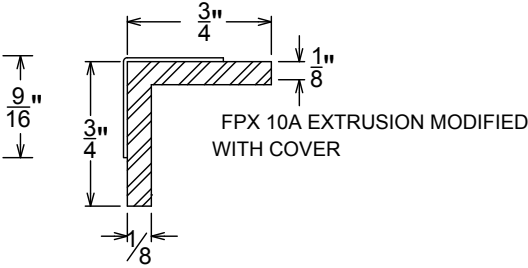
**SYSTEM II SERIES 125-EX  
FPX 1/8" - 5/32" PROFILE  
EXTRUSIONS FULL SIZE**



ADHESIVE TYPICAL  
B.O.

DETAIL  
B

DEPTH GAUGE BLOCK  
ADHERED TO GLASS

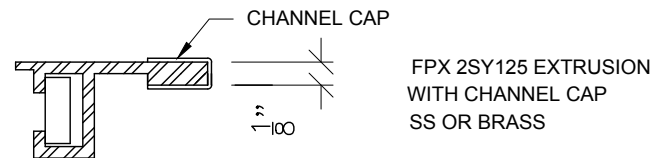
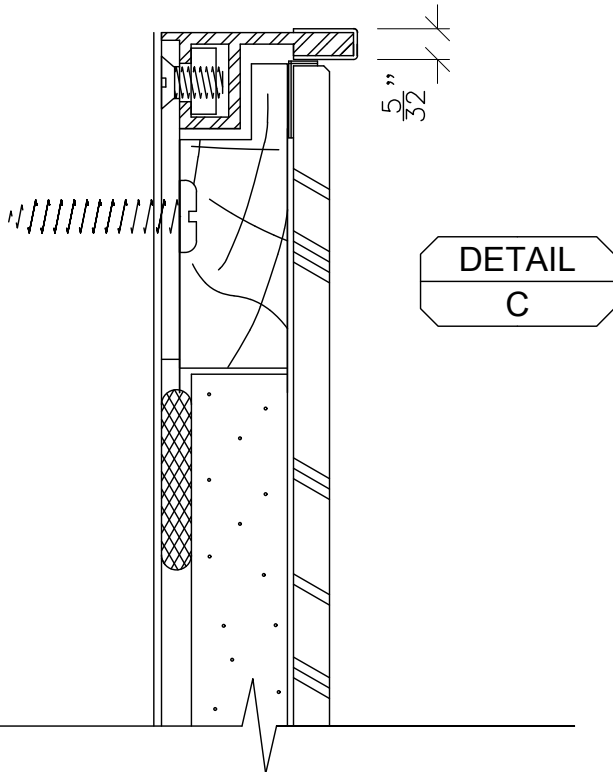
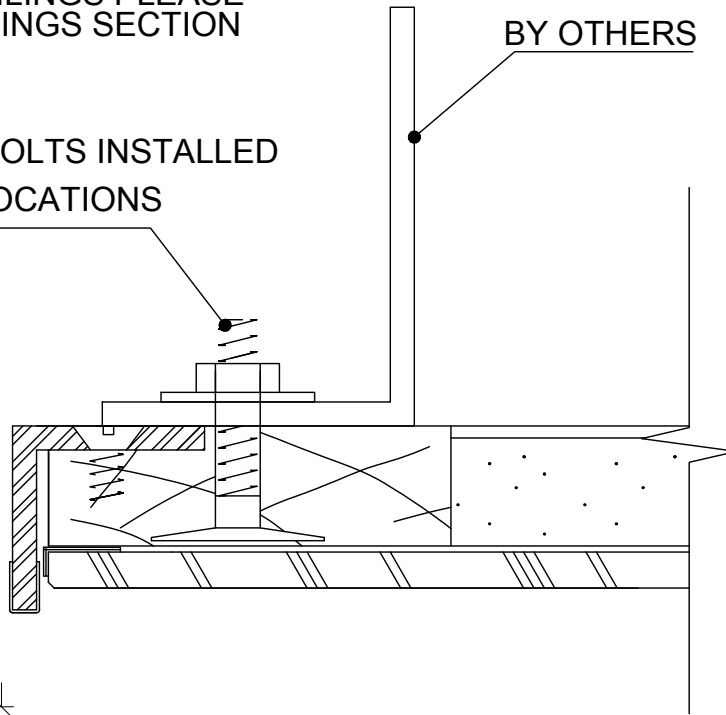


**SYSTEM II SERIES 125-EX**  
**FPX 1/8" - 5/32" PROFILE**  
**EXTRUSIONS FULL SIZE**

FOR MORE ABOUT FPX CEILINGS PLEASE  
SEE OUR ELEVATOR CEILINGS SECTION

SUPPLIED ELEVATOR BOLTS INSTALLED  
AT SPECIFIED LOCATIONS

SUPPORT SYSTEM  
BY OTHERS



## SYSTEM II SERIES 125-EX FPX 1/8" - 5/32" PROFILE EXTRUSIONS FULL SIZE