

**NOT TO SCALE**

THIN SET

**FINISHES:**

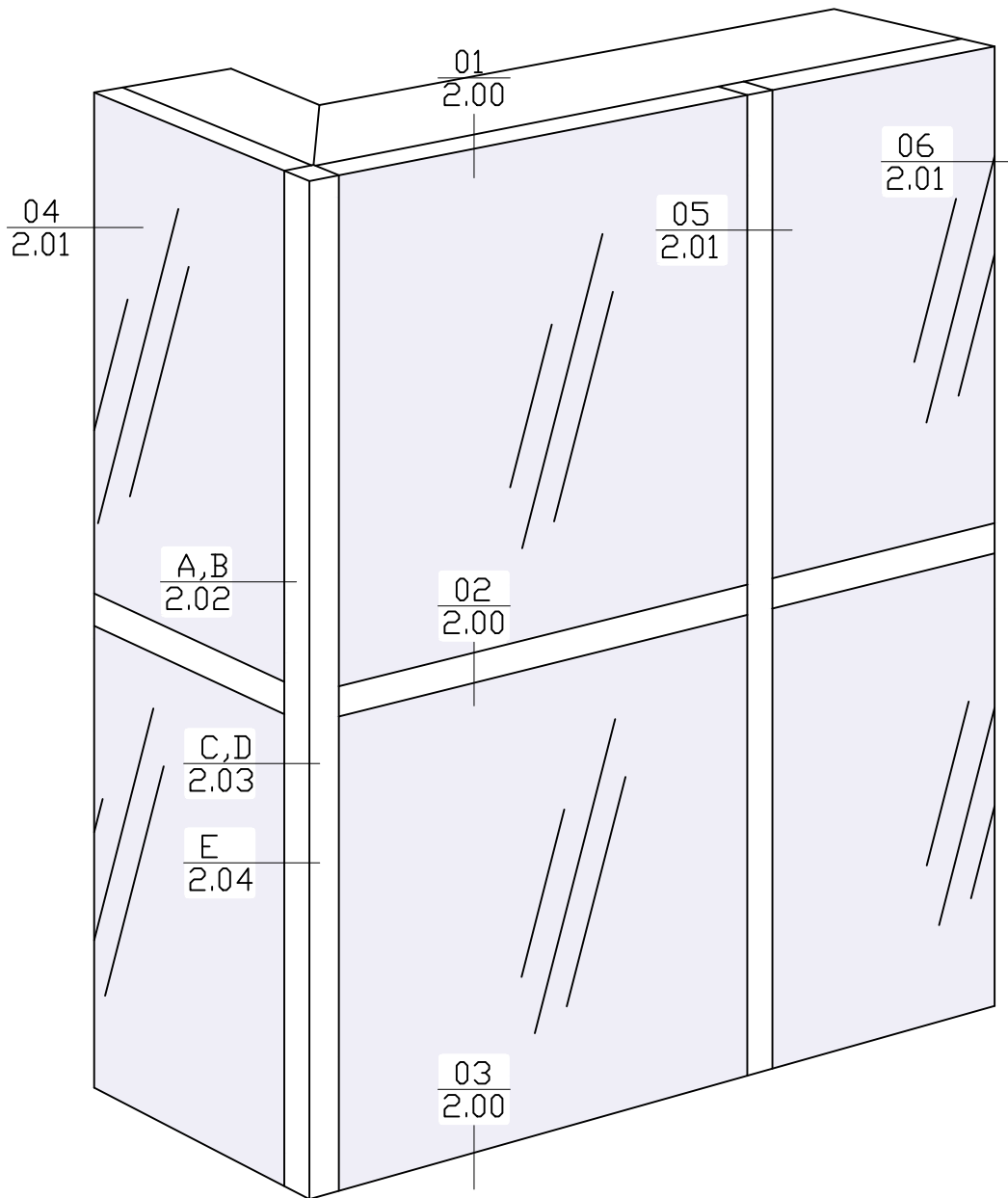
ALUM. - PAINTED or ANODIZED  
 ST. STL. - #4 SATIN, or BRITE  
 SPECIAL - CONTACT FACTORY

**SYSTEM I  
 SERIES-250-EX  
 EXTENDED**

FULLER PHOENIX ARCHITECTURAL PRODUCTS

713.699.2262

www.fullerphoenix.com



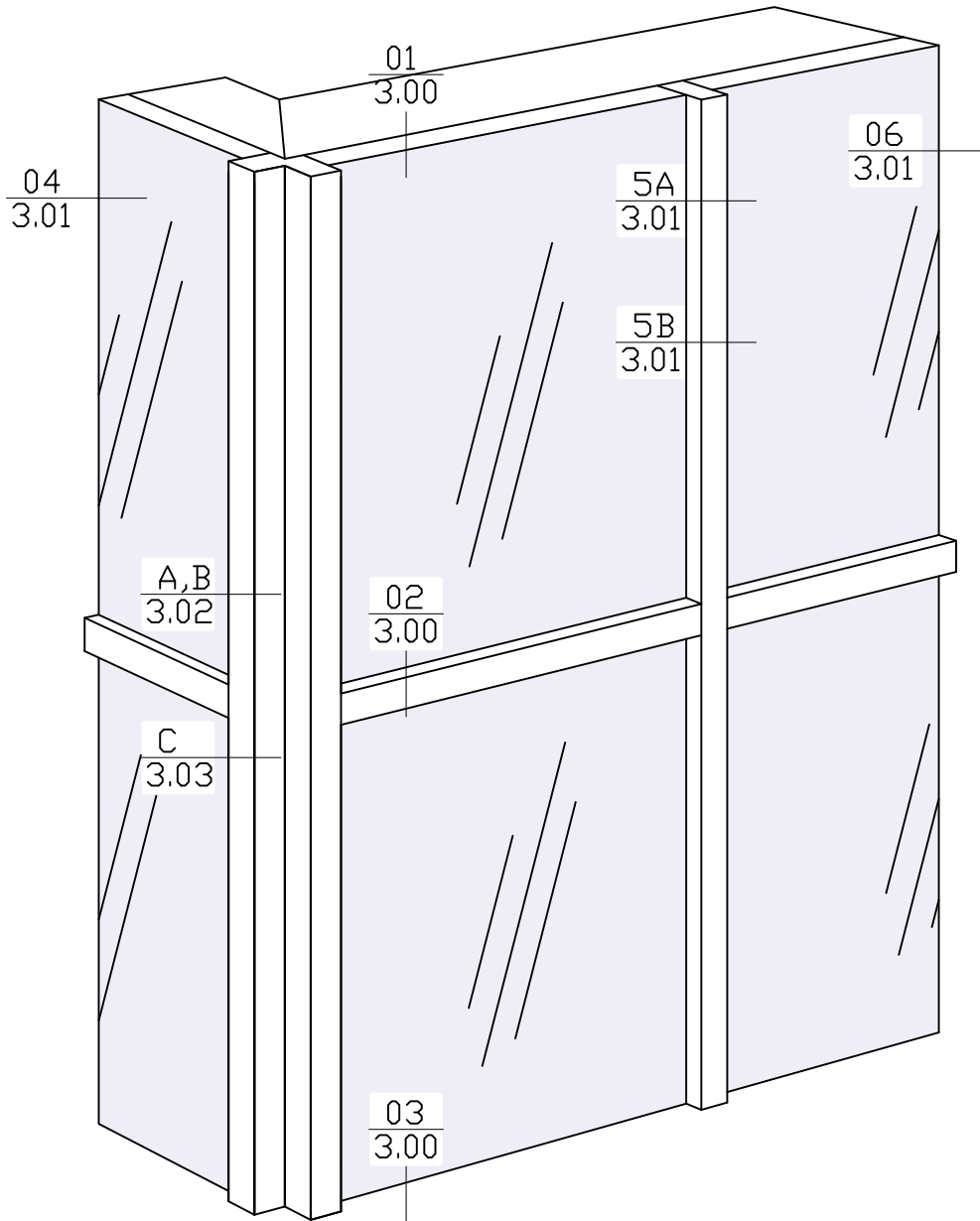
**NOT TO SCALE**

**FINISHES:**

- ALUM. - PAINTED or ANODIZED
- ST. STL. - #4 SATIN, or BRITE
- SPECIAL - CONTACT FACTORY

**SYSTEM I  
SERIES-250  
FLUSH**

FULLER PHOENIX ARCHITECTURAL PRODUCTS



**NOT TO SCALE**

**FINISHES:**

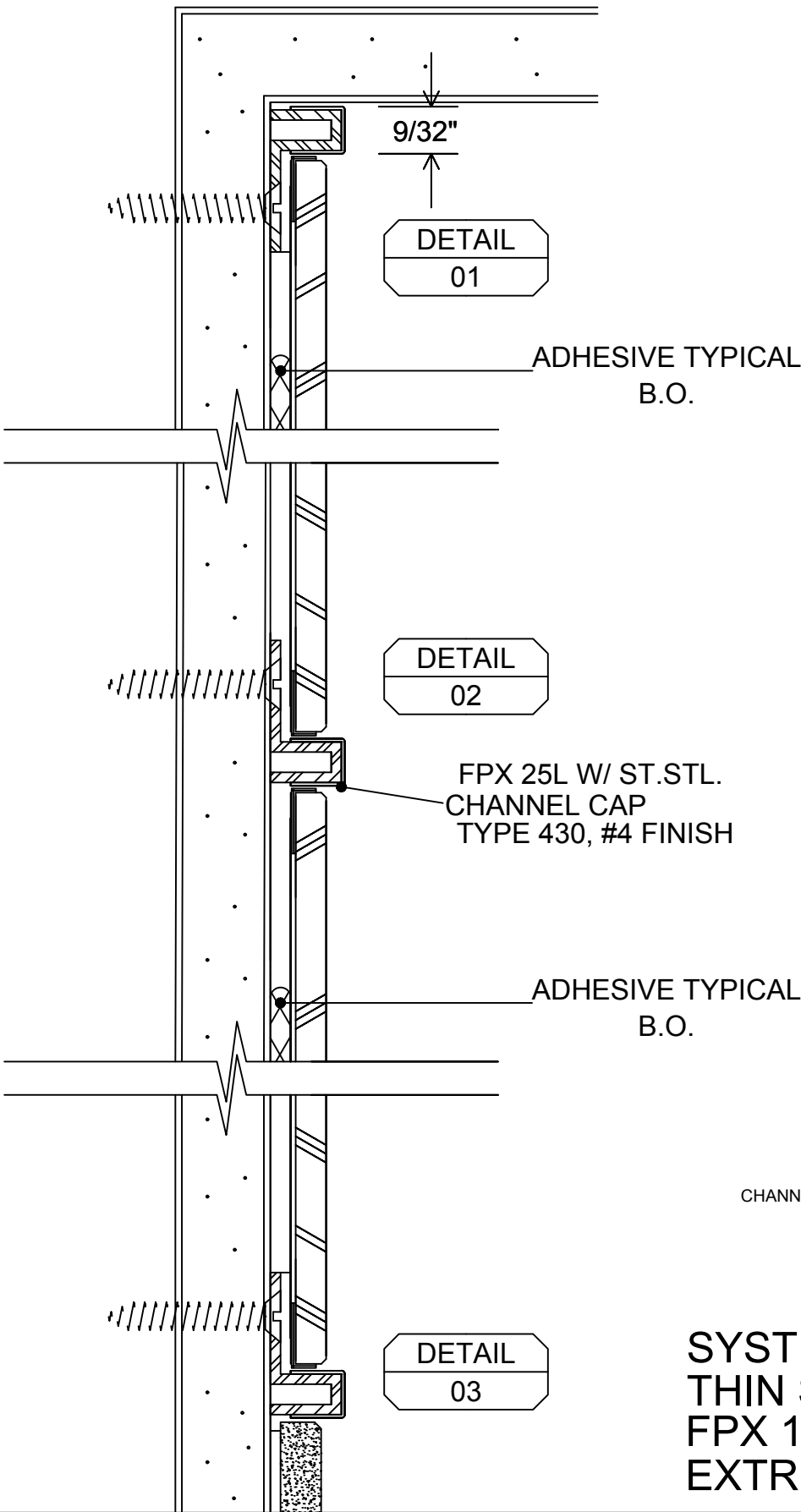
ALUM. - PAINTED or ANODIZED  
 ST. STL. - #4 SATIN, or BRITE  
 SPECIAL - CONTACT FACTORY

**SYSTEM I  
 SERIES-250-EX  
 EXTENDED**

FULLER PHOENIX ARCHITECTURAL PRODUCTS

713.699.2262

www.fullerphoenix.com



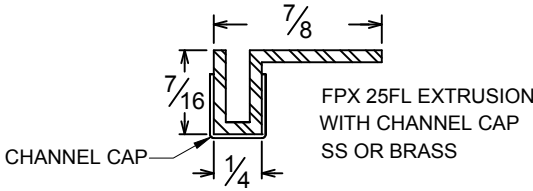
9/32"  
 DETAIL  
 01

ADHESIVE TYPICAL  
 B.O.

DETAIL  
 02

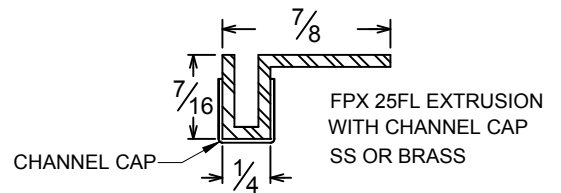
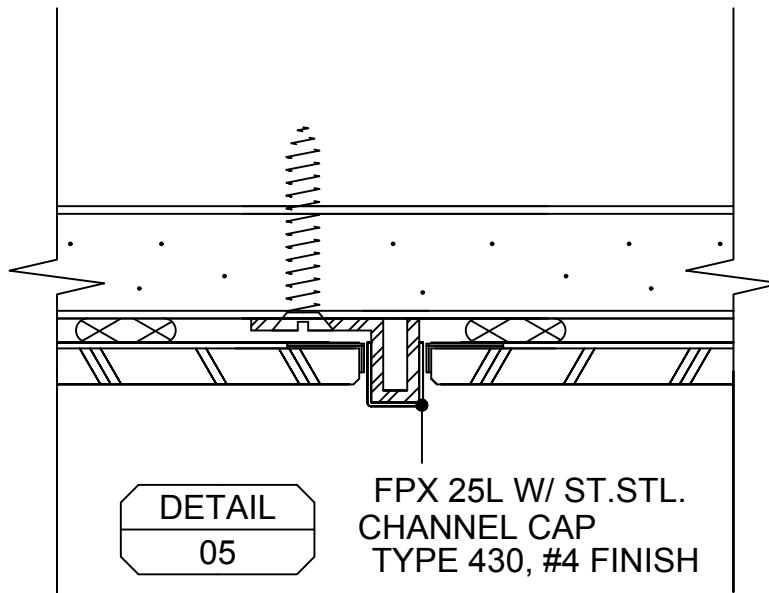
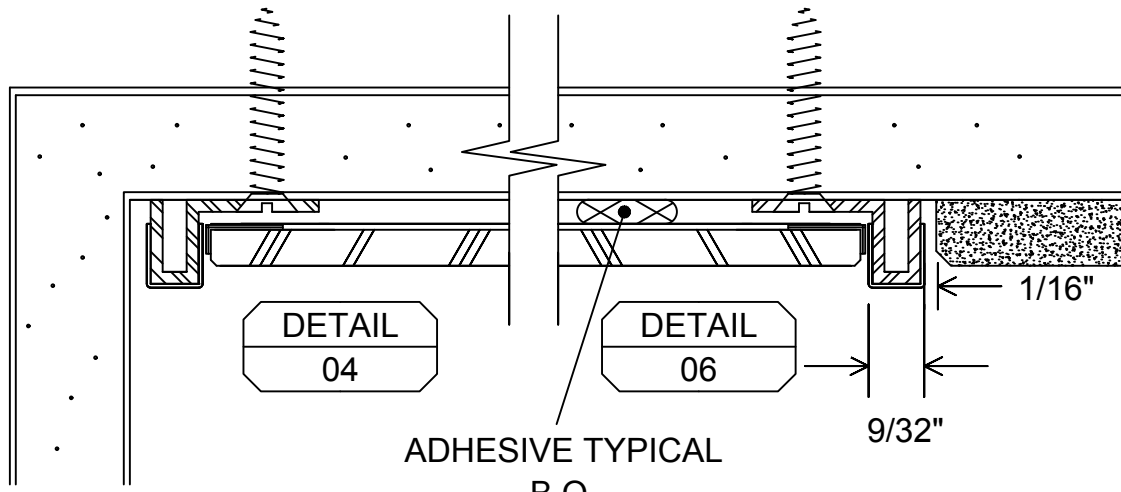
FPX 25L W/ ST.STL.  
 CHANNEL CAP  
 TYPE 430, #4 FINISH

ADHESIVE TYPICAL  
 B.O.

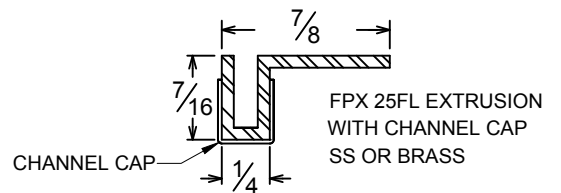
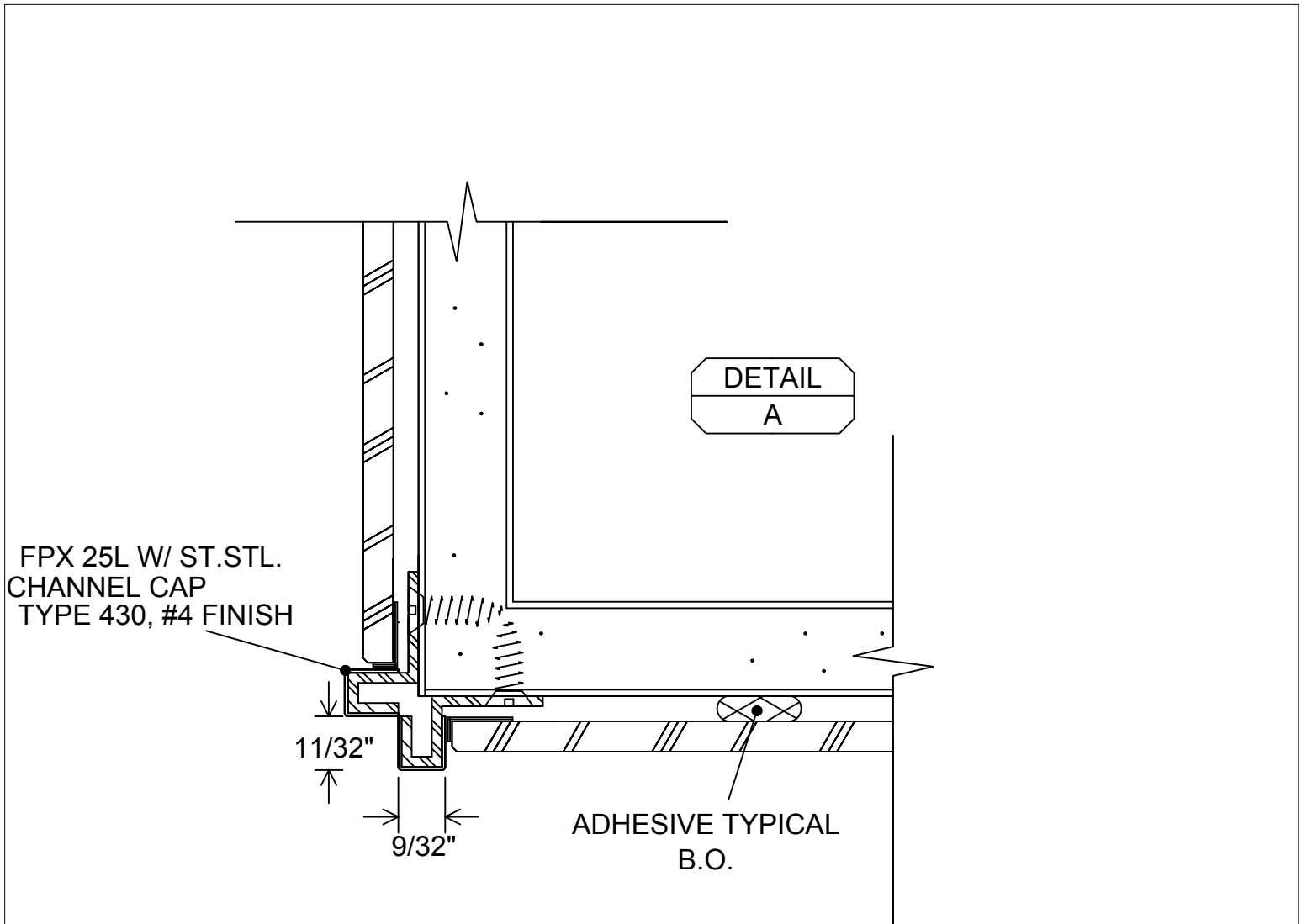


DETAIL  
 03

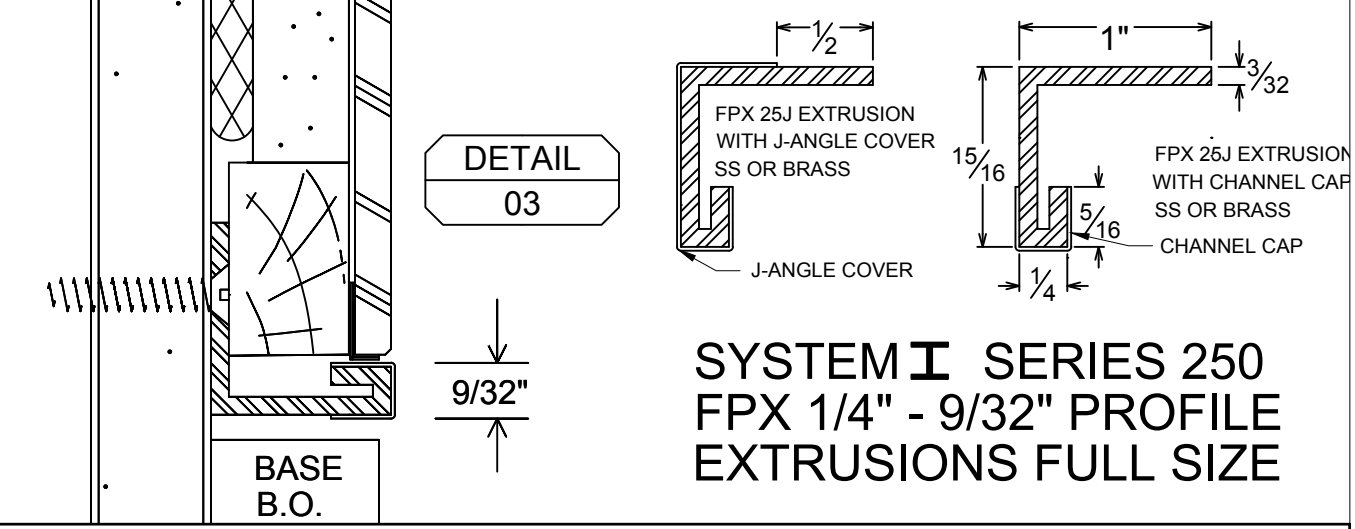
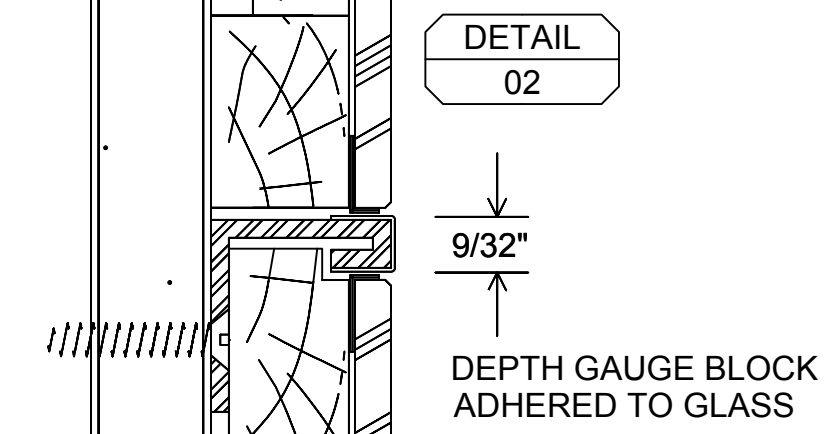
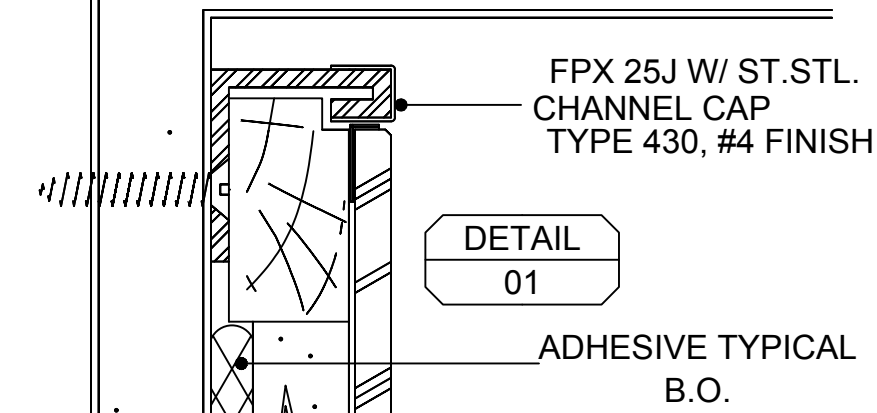
**SYSTEM I** SERIES 250-EX  
 THIN SET  
 FPX 1/4" - 9/32" PROFILE  
 EXTRUSIONS FULL SIZE



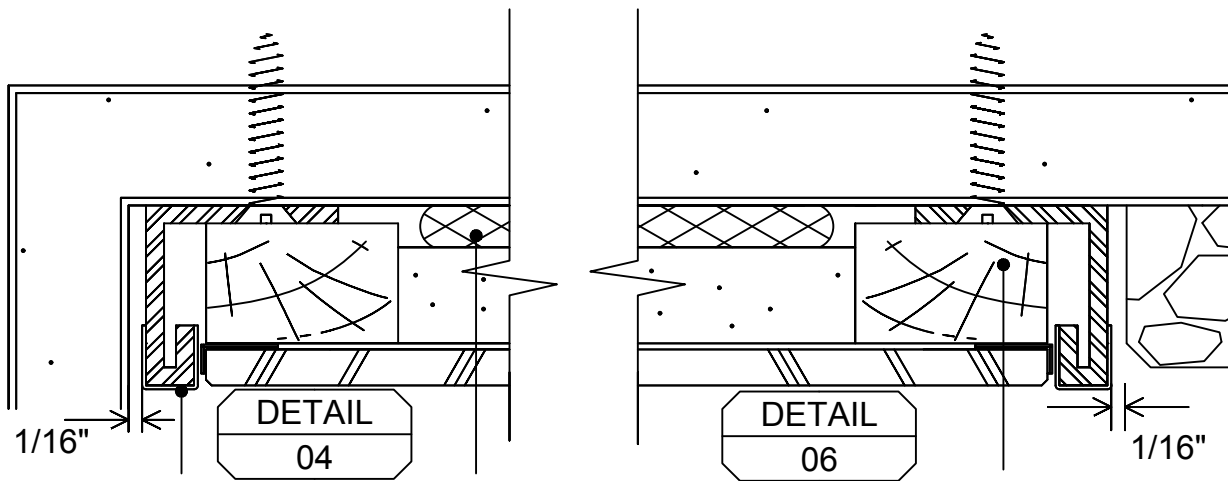
**SYSTEM I SERIES 250-EX  
THIN SET  
FPX 1/4" - 9/32" PROFILE  
EXTRUSIONS FULL SIZE**



**SYSTEM I SERIES 250-EX  
THIN SET  
FPX 1/4" - 9/32" PROFILE  
EXTRUSIONS FULL SIZE**



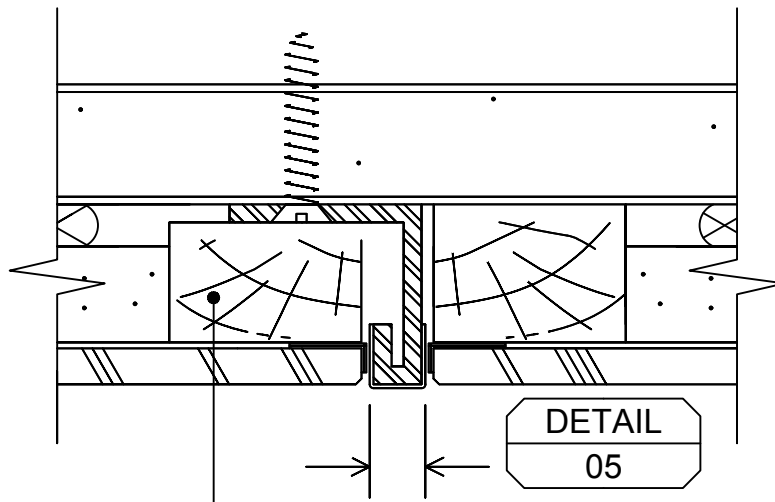
**SYSTEM I SERIES 250**  
**FPX 1/4" - 9/32" PROFILE**  
**EXTRUSIONS FULL SIZE**



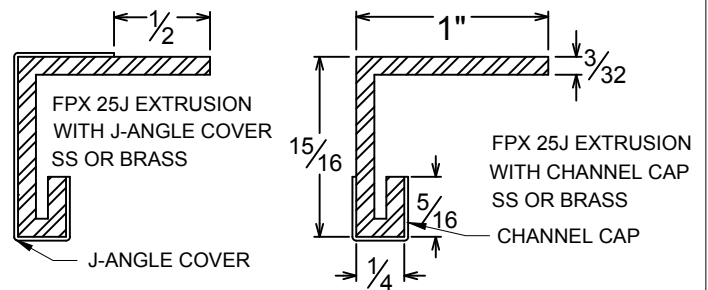
FPX 25J W/ ST.STL.  
CHANNEL CAP  
TYPE 430, #4 FINISH

ADHESIVE TYPICAL  
B.O.

DEPTH GAUGE BLOCK  
ADHERED TO GLASS

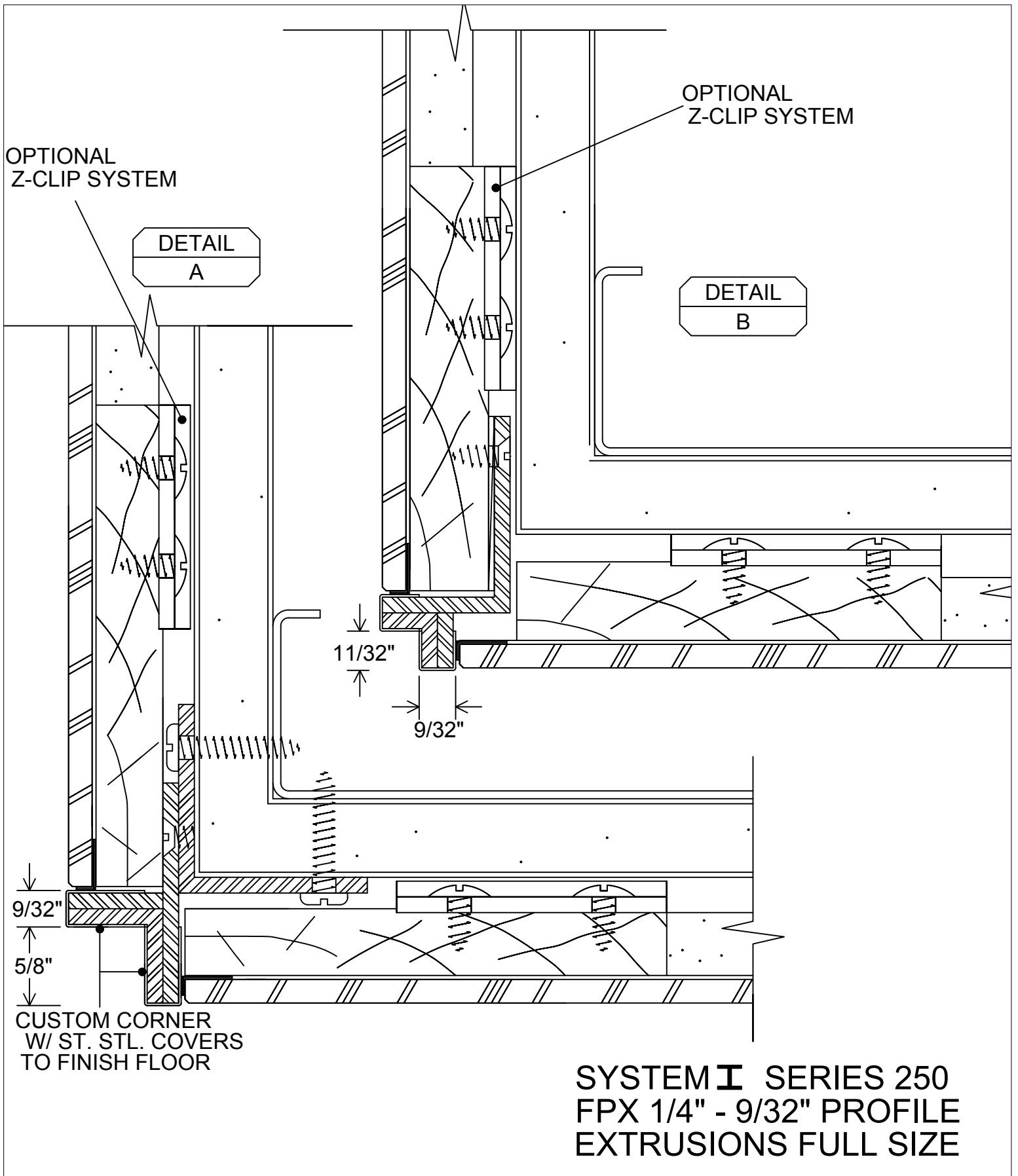


DEPTH GAUGE BLOCK  
ADHERED TO GLASS 9/32"



**SYSTEM I SERIES 250**  
**FPX 1/4" - 9/32" PROFILE**  
**EXTRUSIONS FULL SIZE**





ADHESIVE TYPICAL  
B.O.

DETAIL  
C

DEPTH GAUGE BLOCK  
ADHERED TO GLASS

FPX 25J W/ ST.STL.  
J-ANGLE COVER

9/32"

15/16"

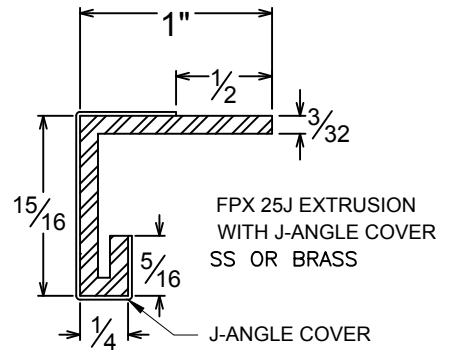
DETAIL  
D

DEPTH GAUGE BLOCK  
ADHERED TO GLASS

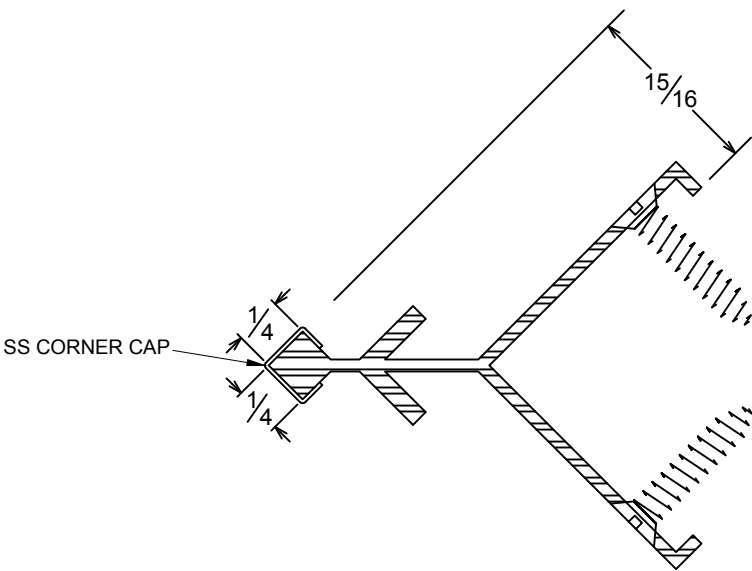
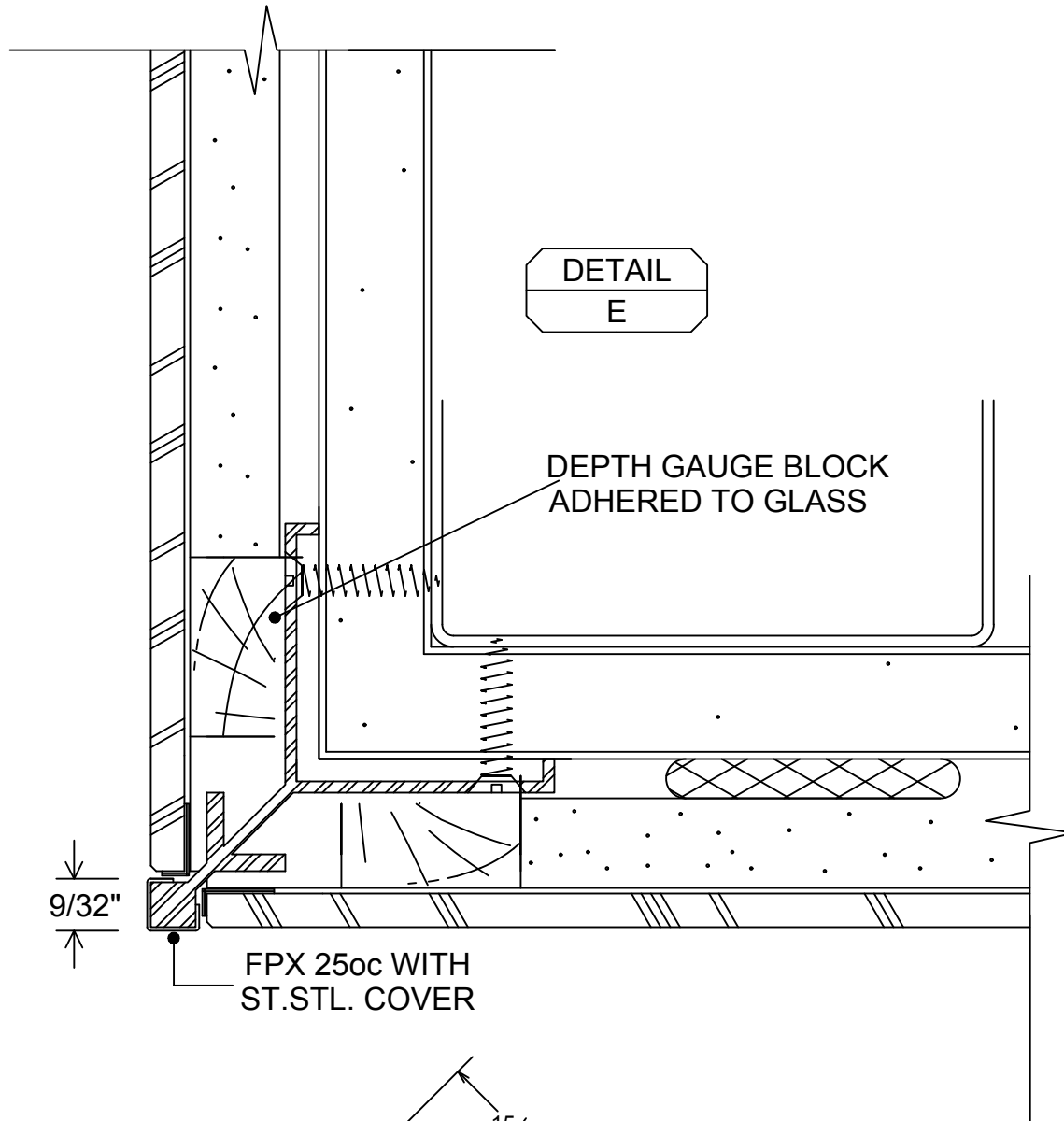
15/16"

9/32"

FPX 25J W/ ST.STL.  
J-ANGLE COVER  
TYPE 430, #4FINISH



**SYSTEM I** SERIES 250  
FPX 1/4" - 9/32" PROFILE  
EXTRUSIONS FULL SIZE



**SYSTEM I SERIES 250**  
**FPX 1/4" - 9/32" PROFILE**  
**EXTRUSIONS FULL SIZE**

FPX 25J W/ ST.STL.  
CHANNEL CAP  
TYPE 430, #4 FINISH

WOOD SUPPORT FRAMING  
ADHERED TO GLASS

DETAIL  
01

OPTIONAL  
Z-CLIP SYSTEM  
MORTISED 1/8"

DETAIL  
02

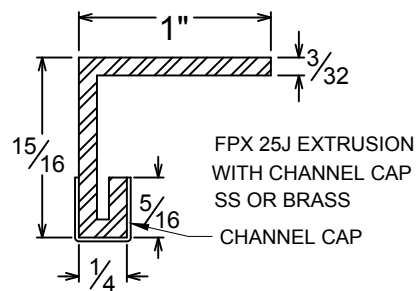
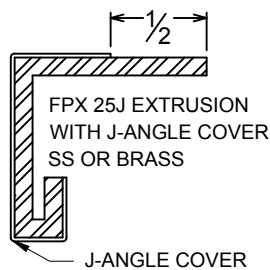
WOOD SUPPORT FRAMING  
ADHERED TO GLASS

9/32"

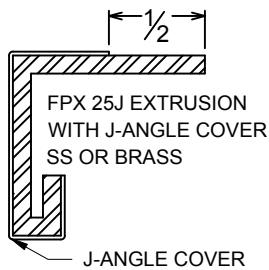
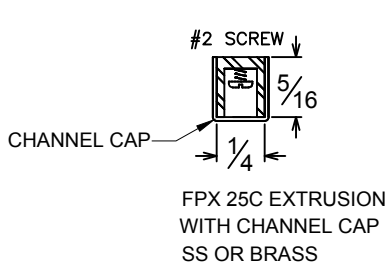
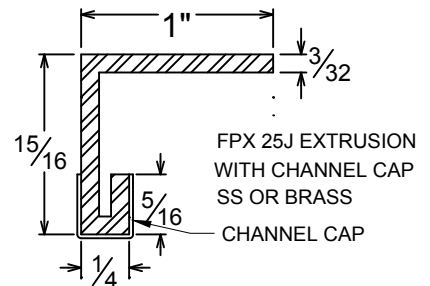
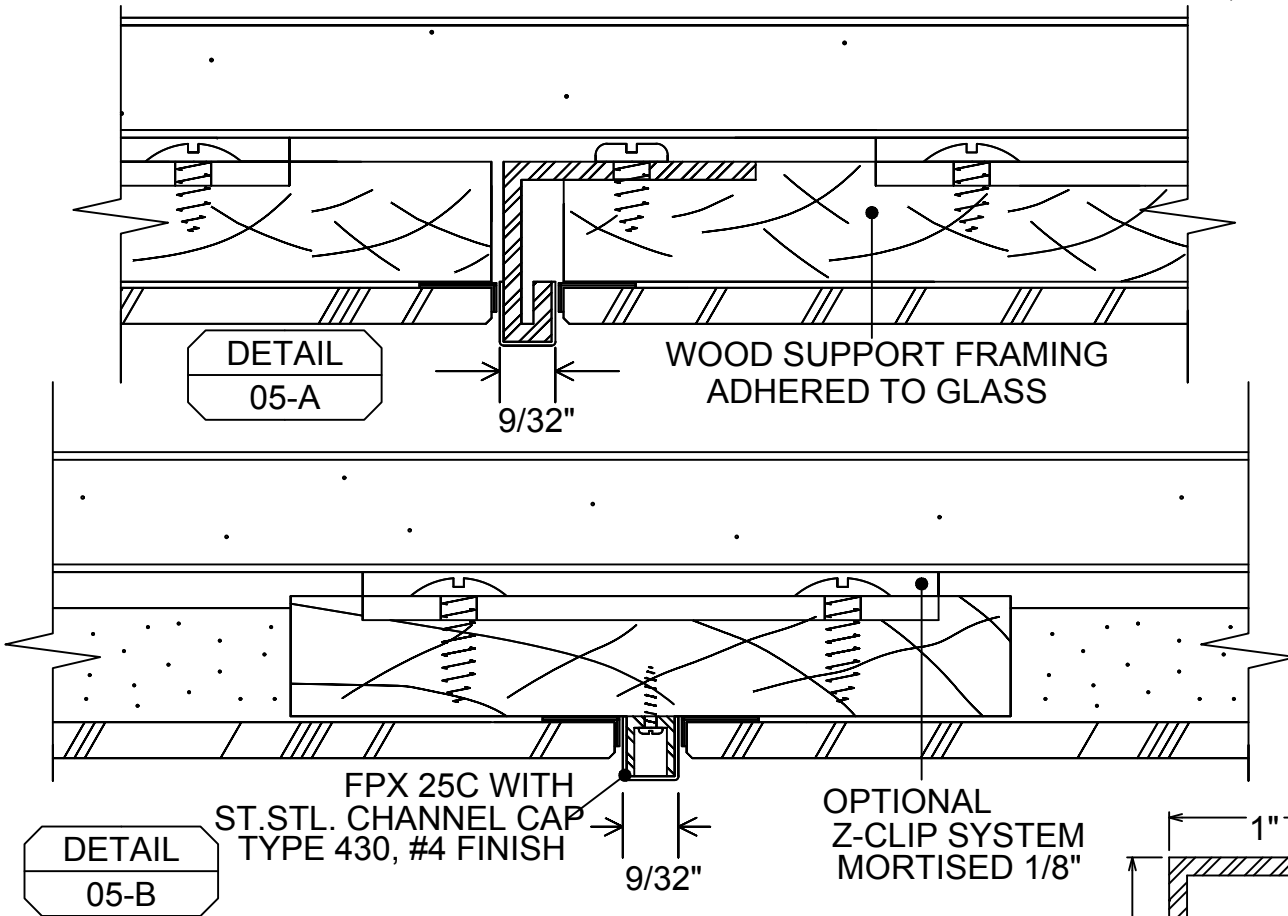
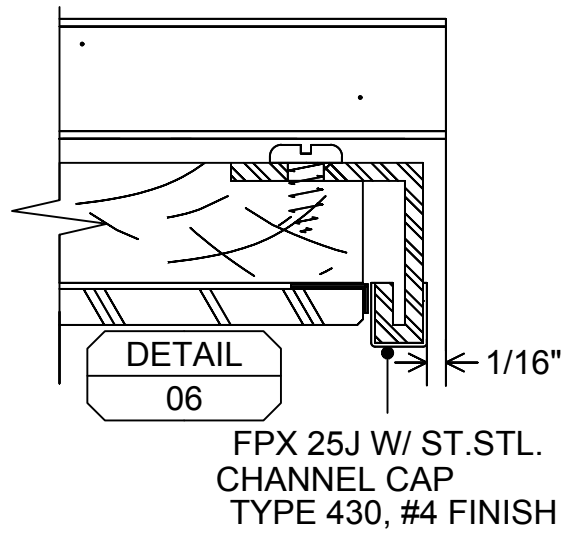
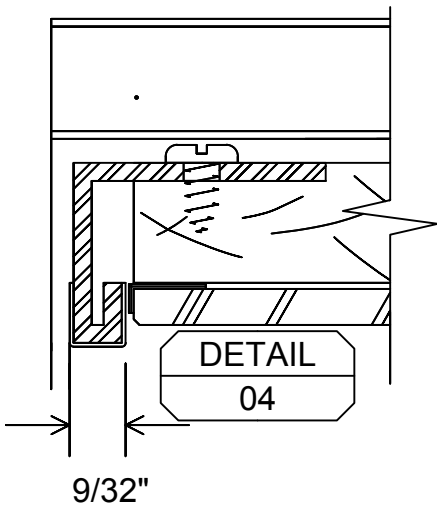
OPTIONAL  
Z-CLIP SYSTEM  
MORTISED 1/8"

DETAIL  
03

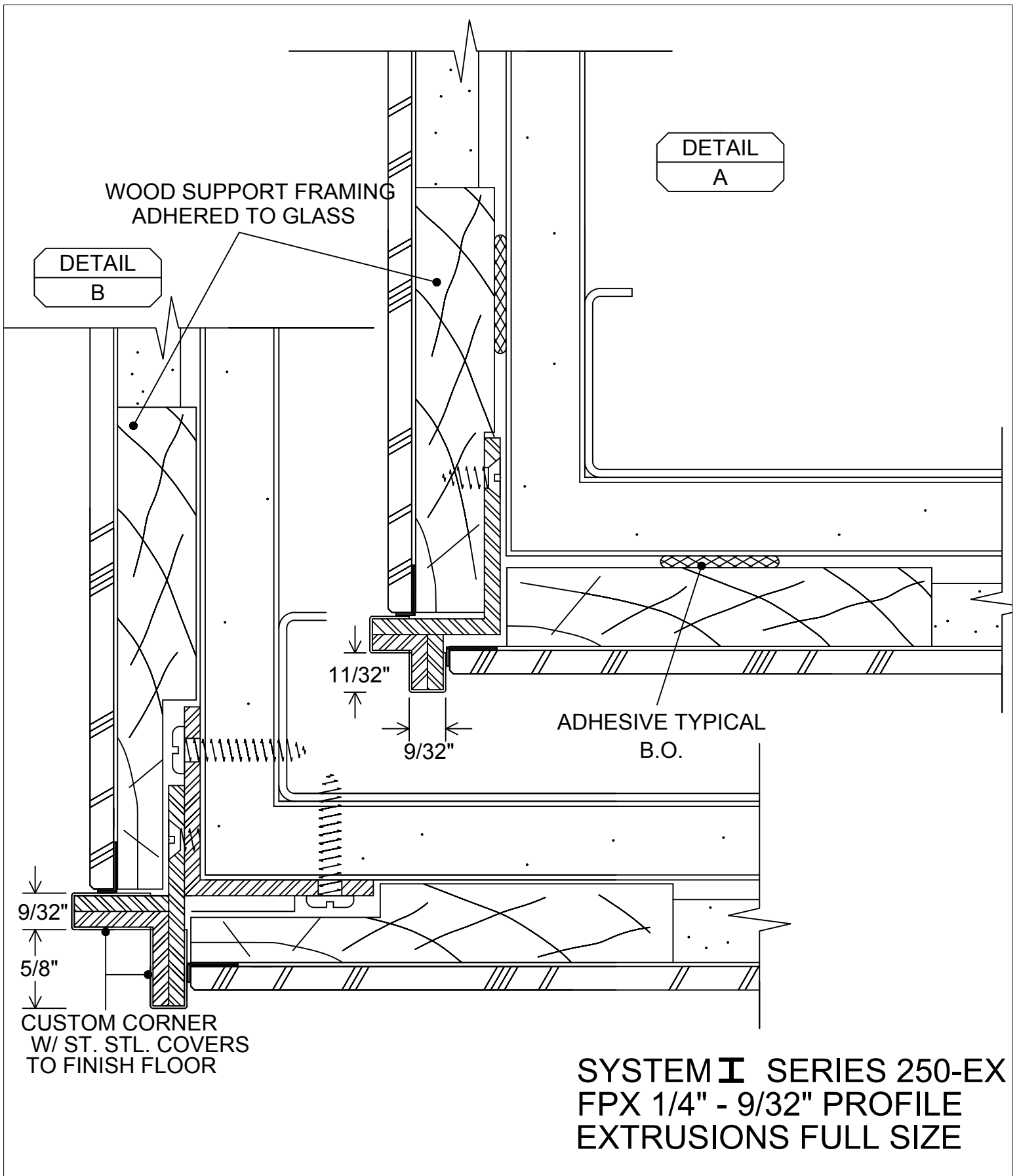
9/32"



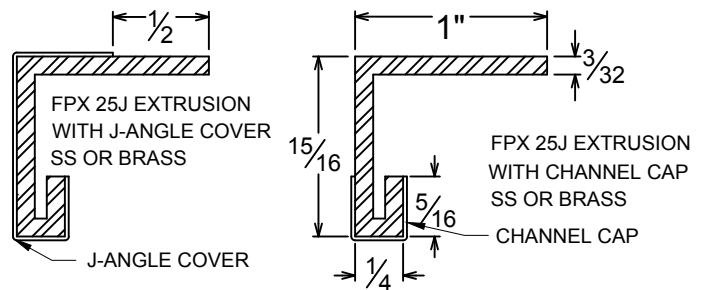
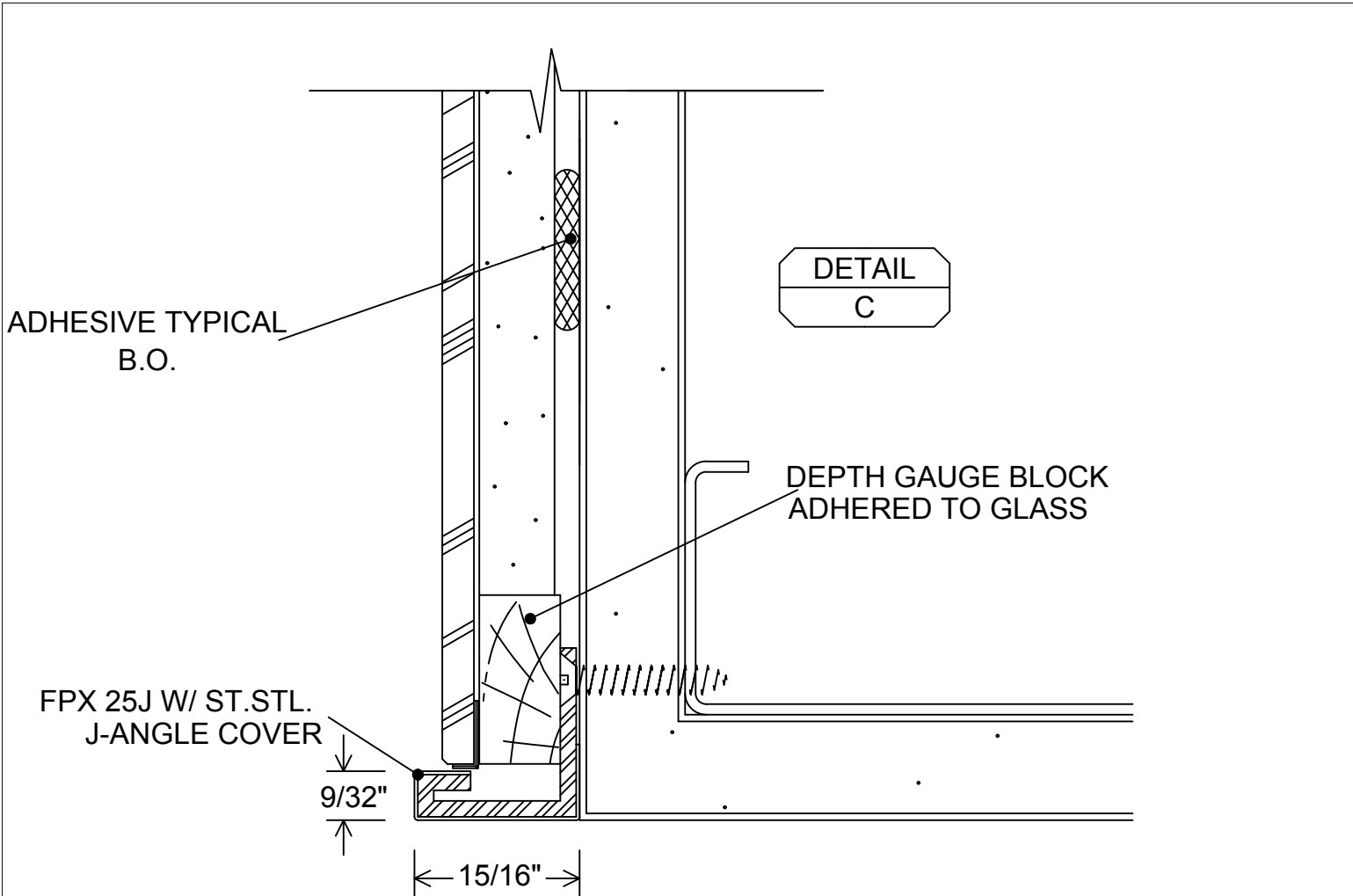
**SYSTEM I SERIES 250-EX**  
**FPX 1/4" - 9/32" PROFILE**  
**EXTRUSIONS FULL SIZE**



**SYSTEM I SERIES 250-EX**  
**FPX 1/4" - 9/32" PROFILE**  
**EXTRUSIONS FULL SIZE**



**SYSTEM I SERIES 250-EX  
 FPX 1/4" - 9/32" PROFILE  
 EXTRUSIONS FULL SIZE**



**SYSTEM I SERIES 250-EX  
FPX 1/4" - 9/32" PROFILE  
EXTRUSIONS FULL SIZE**