

**NOT TO SCALE**

**FINISHES:**

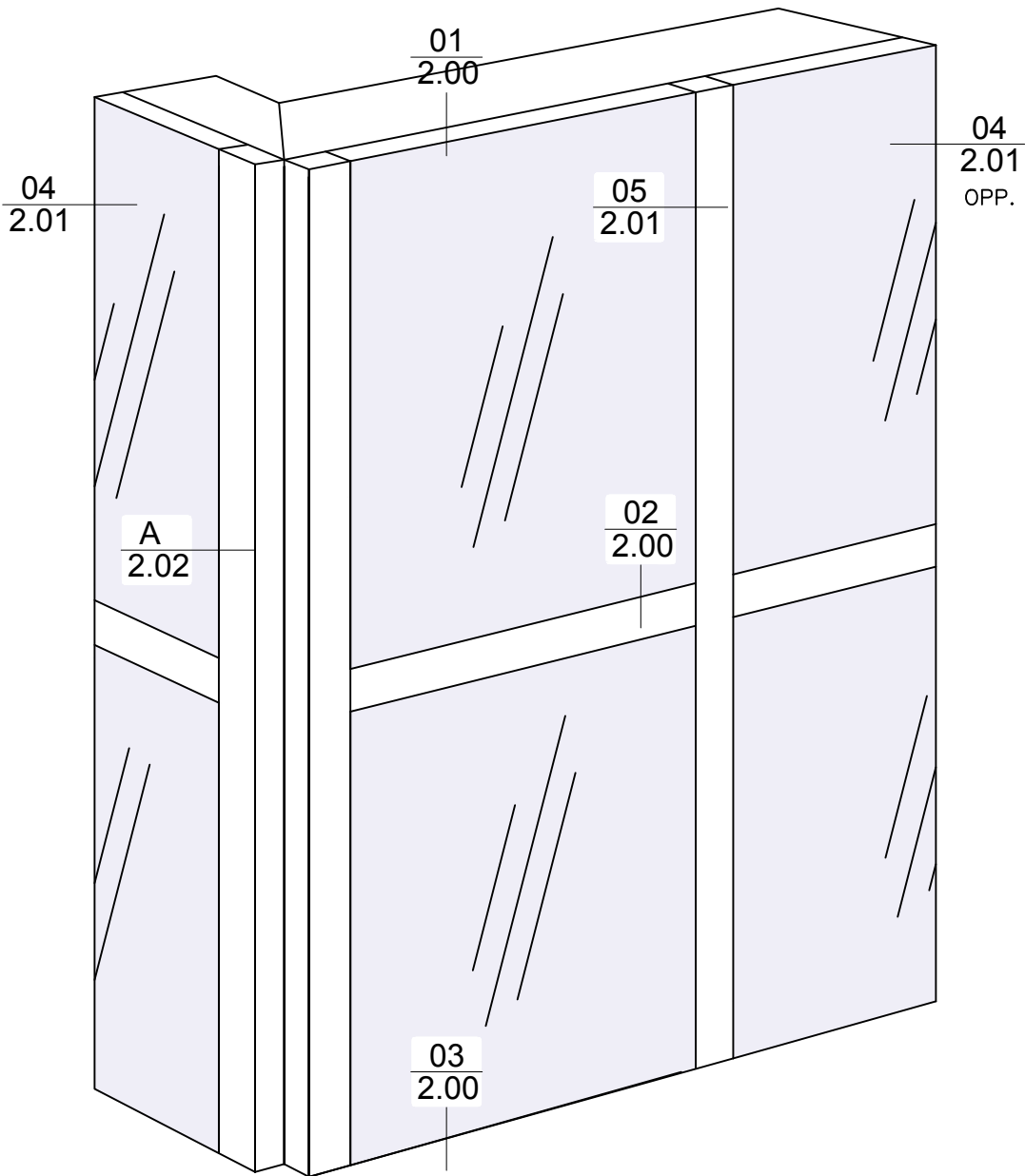
ST. STL. - #4 SATIN, or BRITE  
SPECIAL - CONTACT FACTORY

**SYSTEM I  
SERIES-500-EX  
EXTENDED**

FULLER PHOENIX ARCHITECTURAL PRODUCTS

713.699.2262

[www.fullerphoenix.com](http://www.fullerphoenix.com)



**NOT TO SCALE**

**FINISHES:**

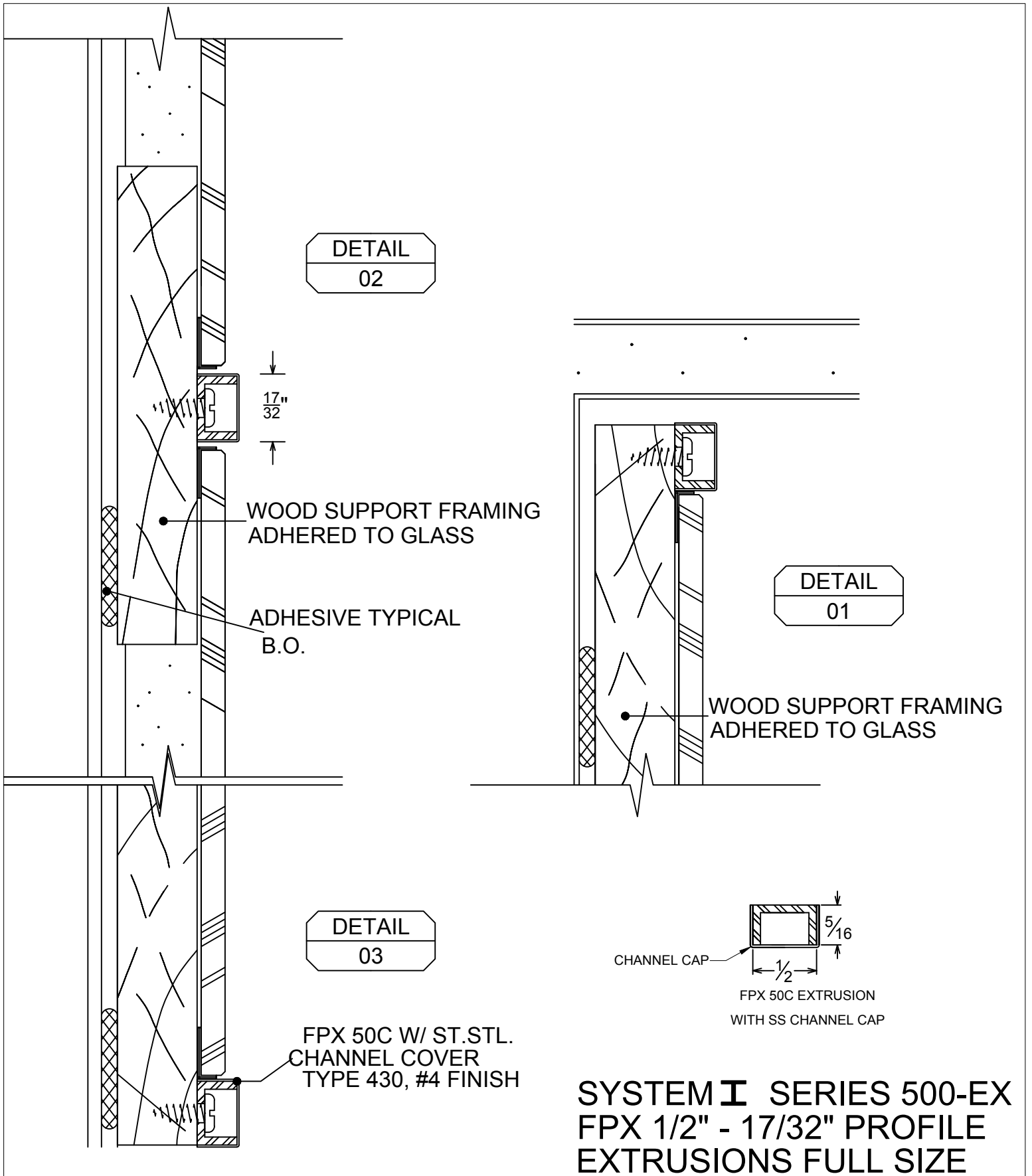
ST. STL. - #4 SATIN, or BRITE  
SPECIAL - CONTACT FACTORY

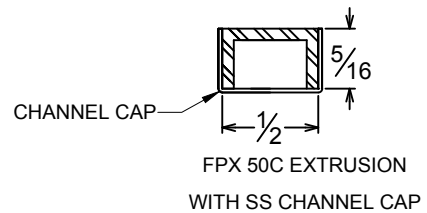
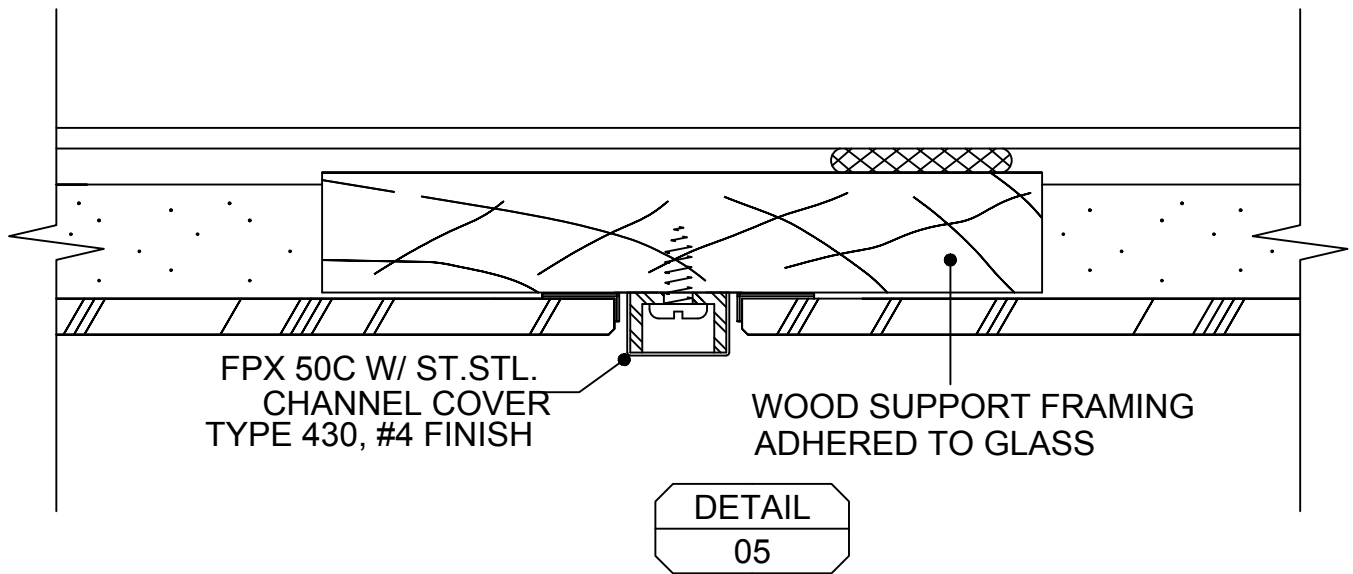
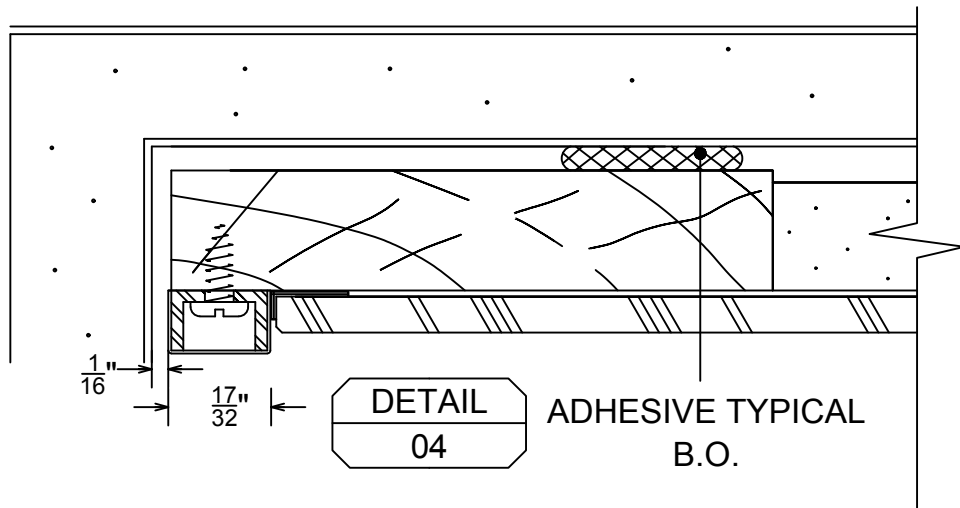
**SYSTEM I  
SERIES-500  
FLUSH**

FULLER PHOENIX ARCHITECTURAL PRODUCTS

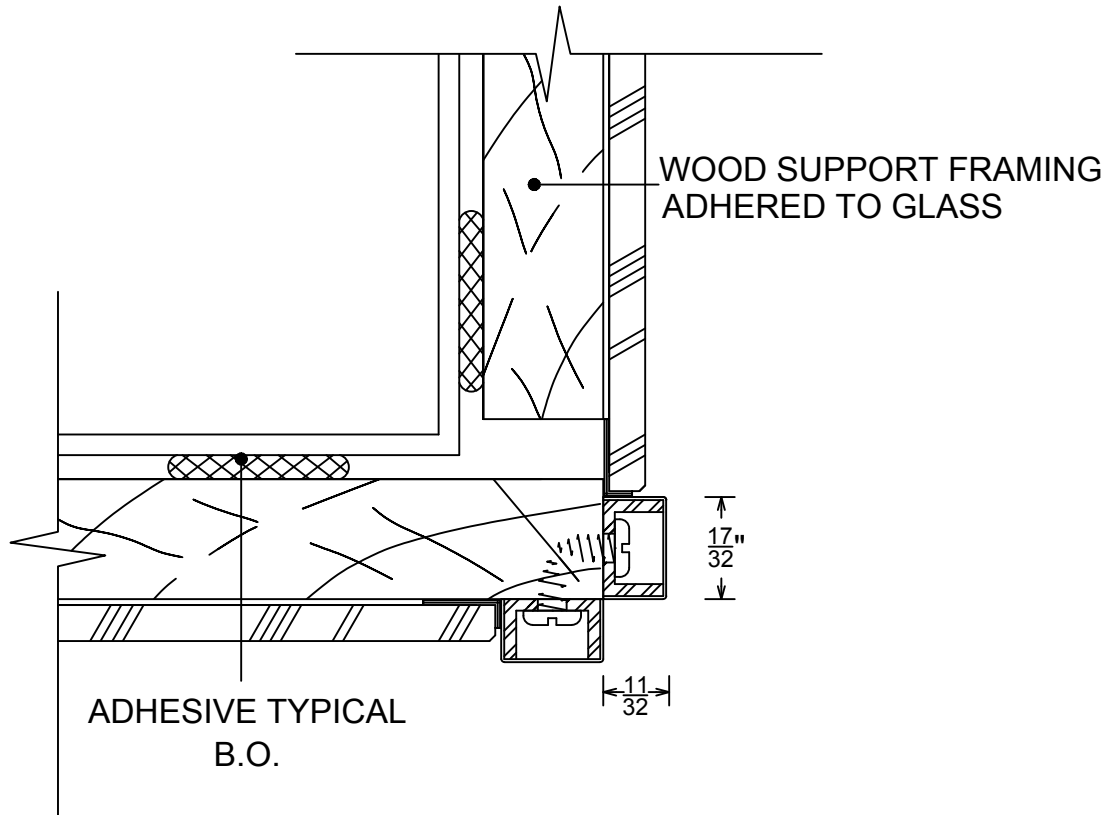
713.699.2262

[www.fullerphoenix.com](http://www.fullerphoenix.com)

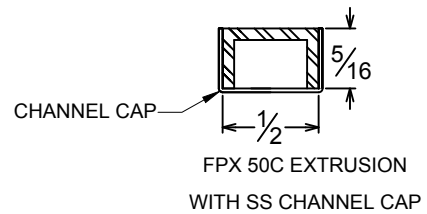




**SYSTEM I SERIES 500-EX  
 FPX 1/2" - 17/32" PROFILE  
 EXTRUSIONS FULL SIZE**



DETAIL  
A



**SYSTEM I** SERIES 500-EX  
 FPX 1/2" - 17/32" PROFILE  
 EXTRUSIONS FULL SIZE

DETAIL  
02

↓  
 $\frac{17''}{32}$   
↑

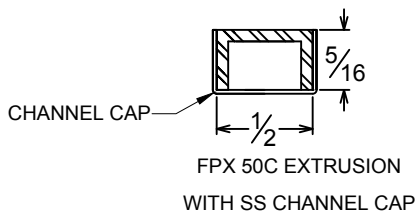
WOOD SUPPORT FRAMING  
ADHERED TO GLASS  
ADHESIVE TYPICAL  
B.O.

DETAIL  
01

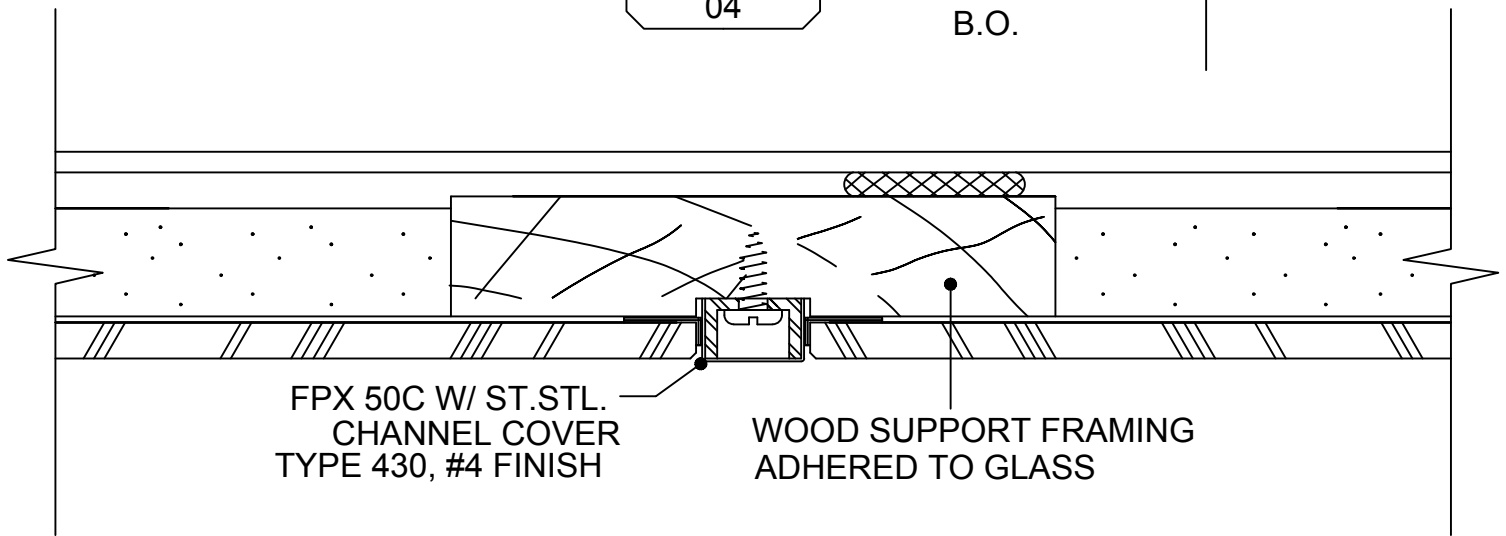
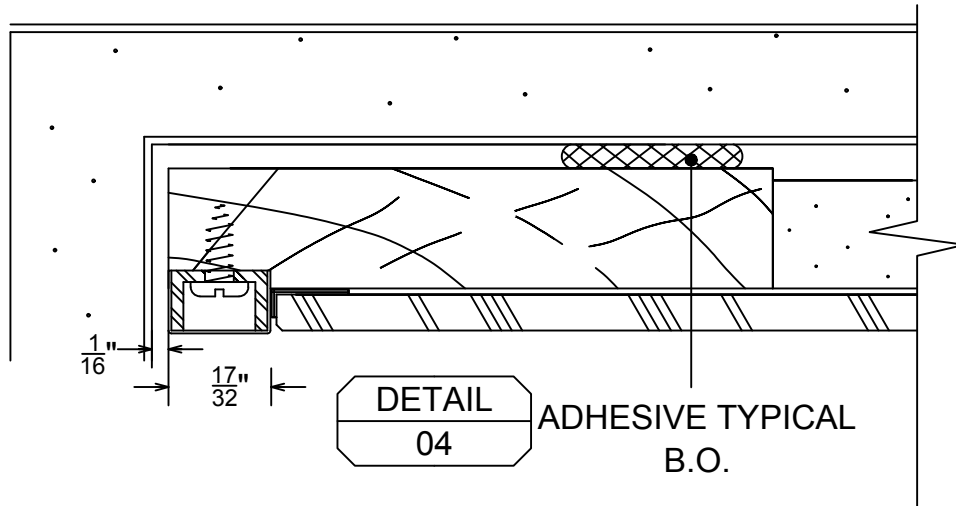
WOOD SUPPORT FRAMING  
ADHERED TO GLASS

DETAIL  
03

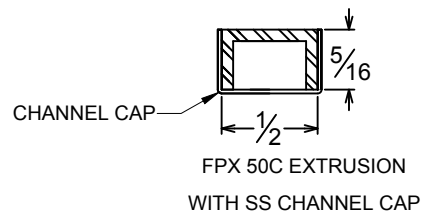
FPX 50C W/ ST.STL.  
CHANNEL COVER  
TYPE 430, #4 FINISH



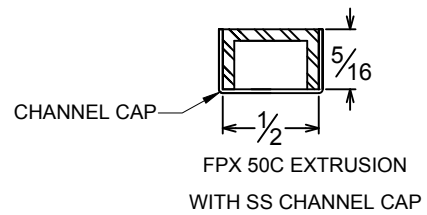
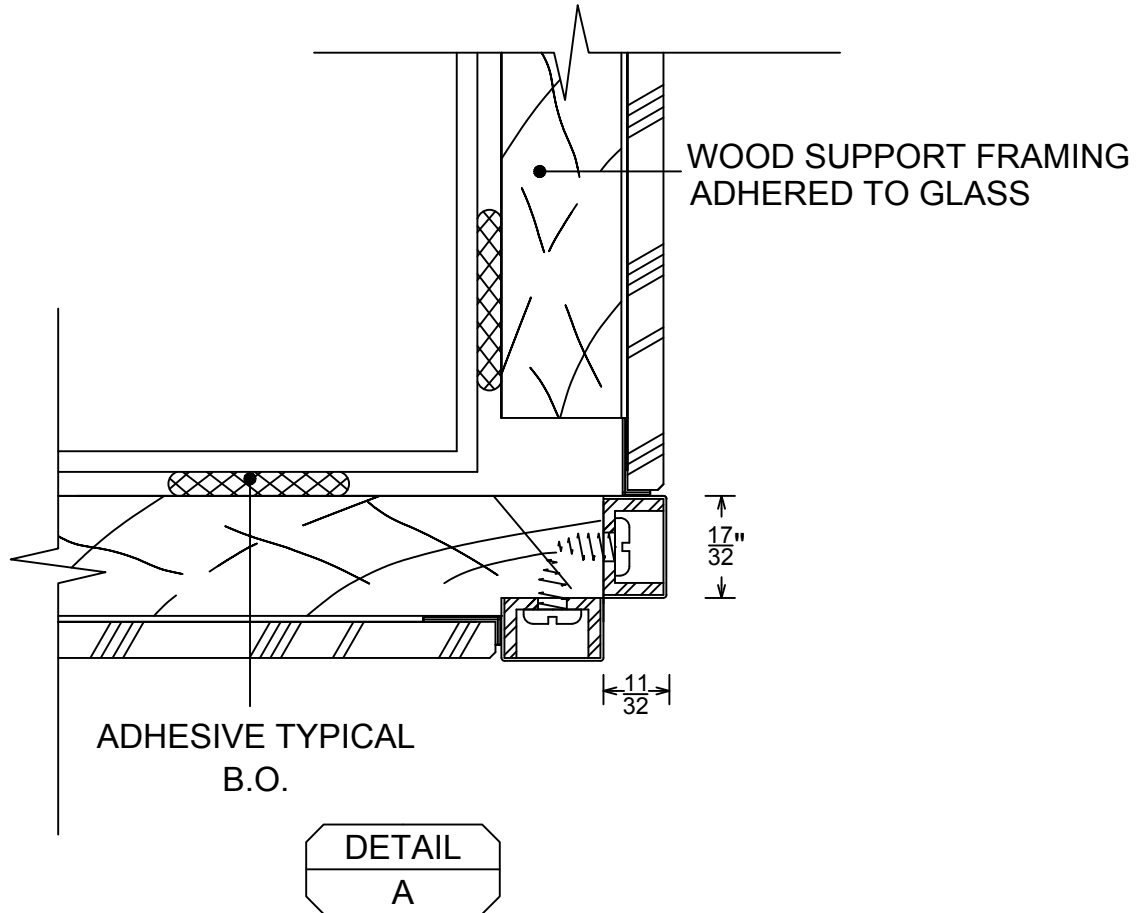
# SYSTEM I SERIES 500 FPX 1/2" - 17/32" PROFILE EXTRUSIONS FULL SIZE



DETAIL 05



**SYSTEM I SERIES 500**  
**FPX 1/2" - 17/32" PROFILE**  
**EXTRUSIONS FULL SIZE**



**SYSTEM I SERIES 500**  
**FPX 1/2" - 17/32" PROFILE**  
**EXTRUSIONS FULL SIZE**