

NOT TO SCALE

FINISHES:

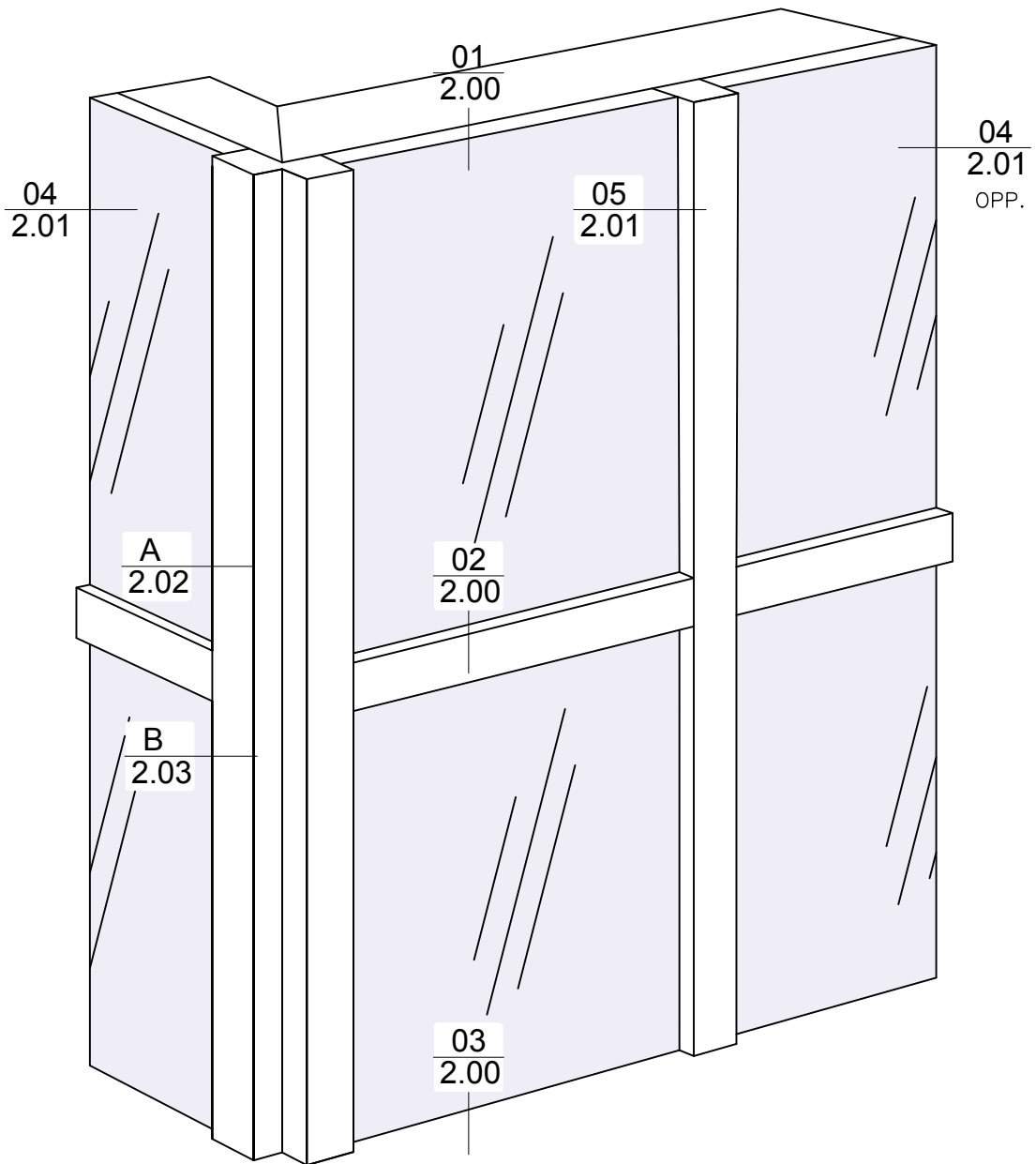
ST. STL. - #4 SATIN
SPECIAL - CONTACT FACTORY

SYSTEM I
SERIES-1000
FLUSH

FULLER PHOENIX ARCHITECTURAL PRODUCTS

713.699.2262

www.fullerphoenix.com



NOT TO SCALE

FINISHES:

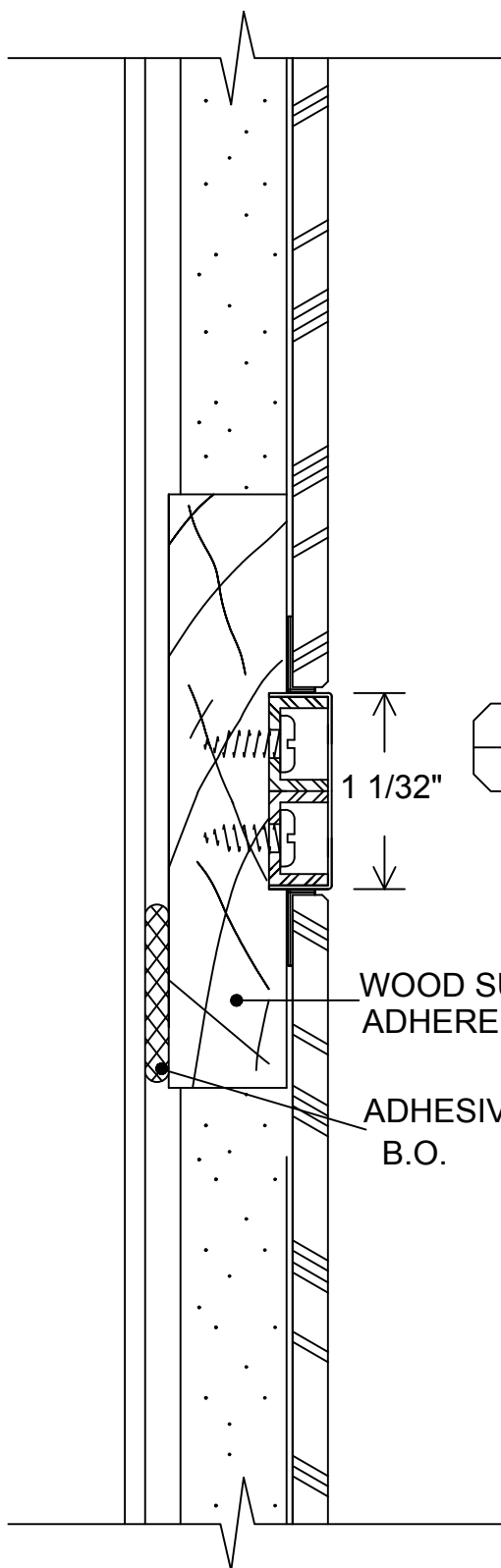
ST. STL. - #4 SATIN
SPECIAL - CONTACT FACTORY

**SYSTEM I
SERIES-1000-EX
EXTENDED**

FULLER PHOENIX ARCHITECTURAL PRODUCTS

713.699.2262

www.fullerphoenix.com

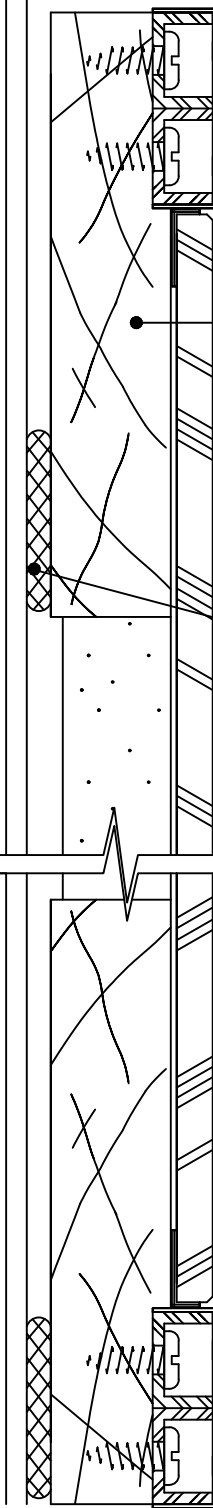


DETAIL
02

1 1/32"

WOOD SUPPORT FRAMING
ADHERED TO GLASS

ADHESIVE TYPICAL
B.O.

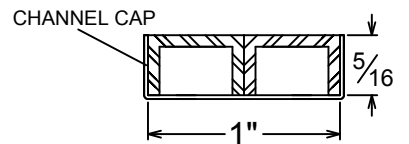


WOOD SUPPORT FRAMING
ADHERED TO GLASS

DETAIL
01

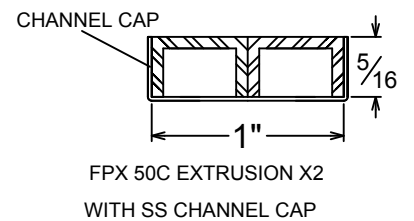
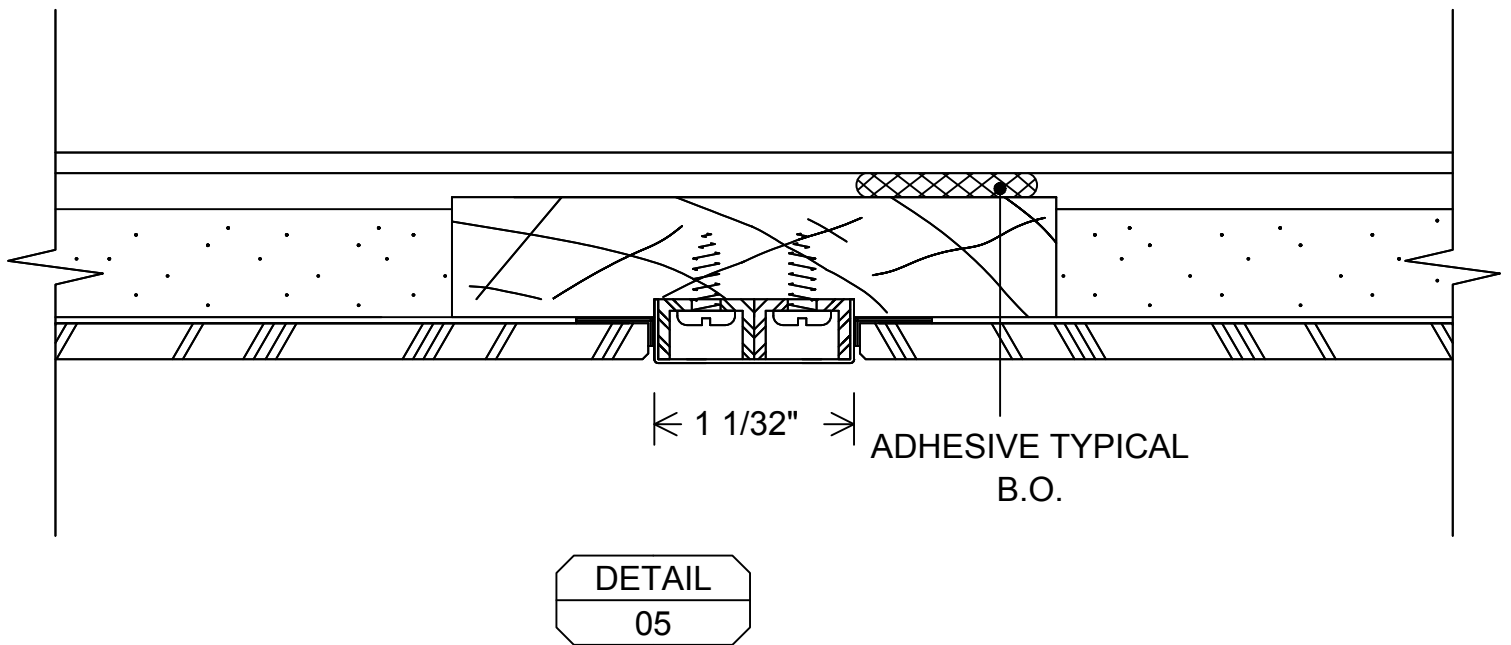
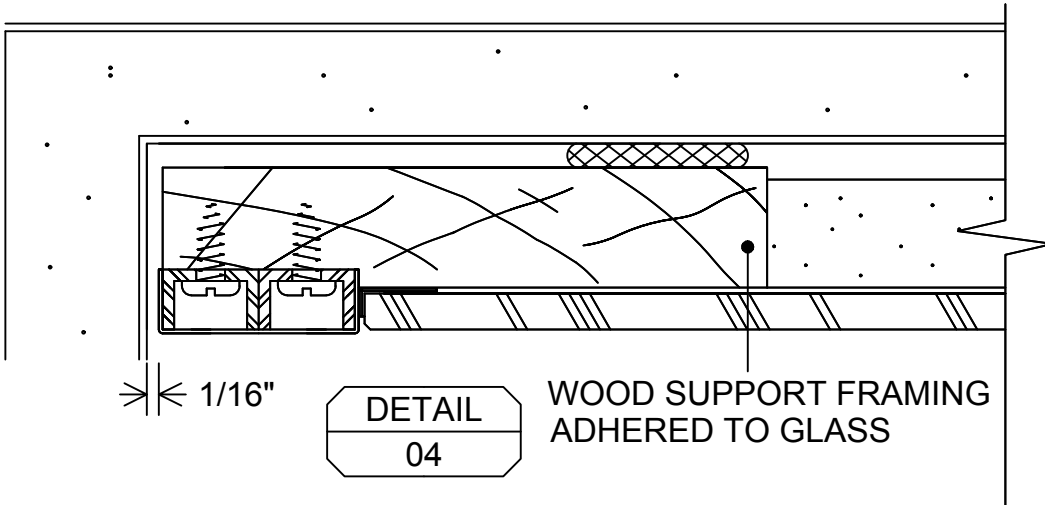
ADHESIVE TYPICAL
B.O.

DETAIL
03

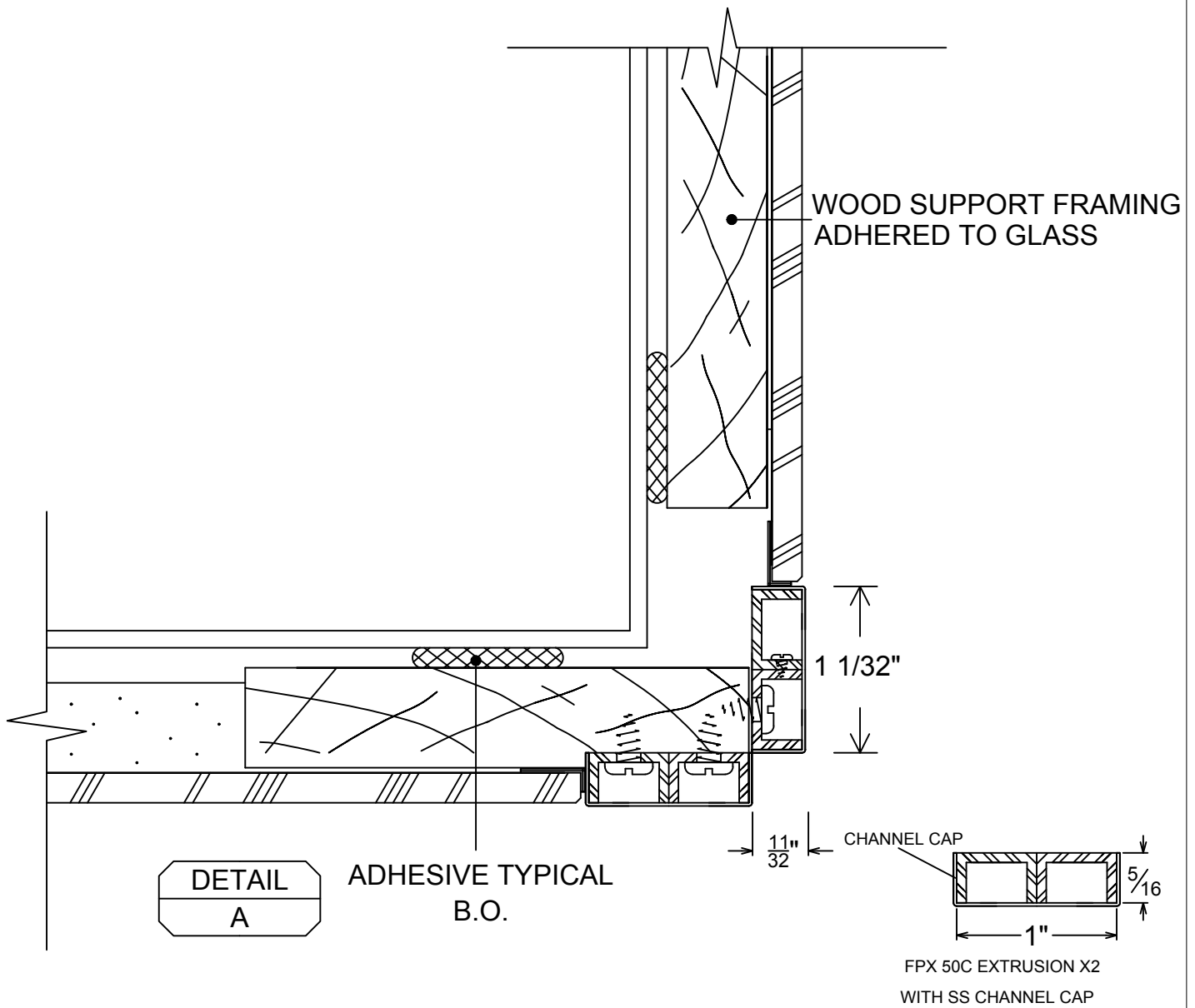


CHANNEL CAP
FPX 50C EXTRUSION X2
WITH SS CHANNEL CAP

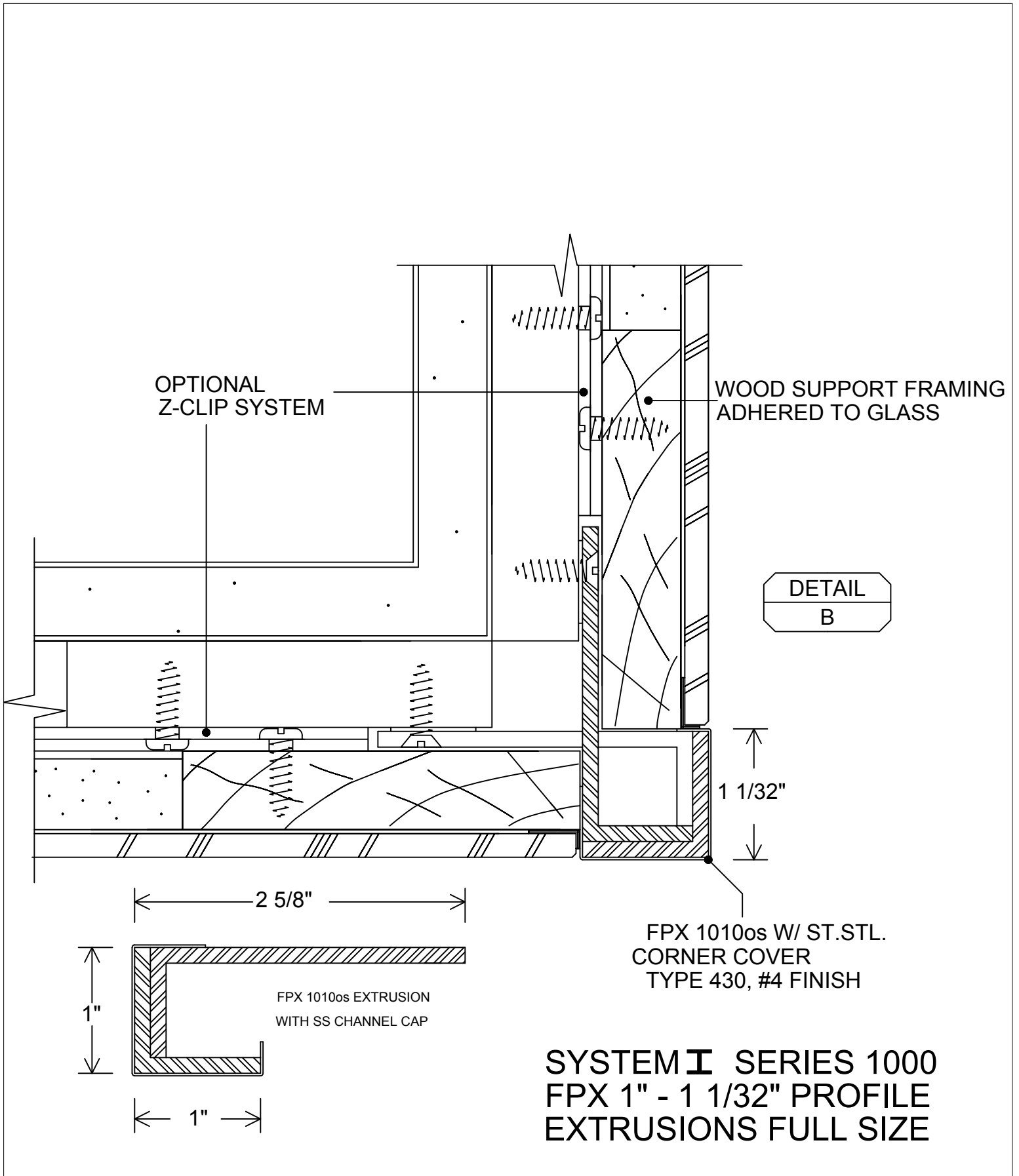
SYSTEM I SERIES 1000
FPX 1" - 1 1/32" PROFILE
EXTRUSIONS FULL SIZE

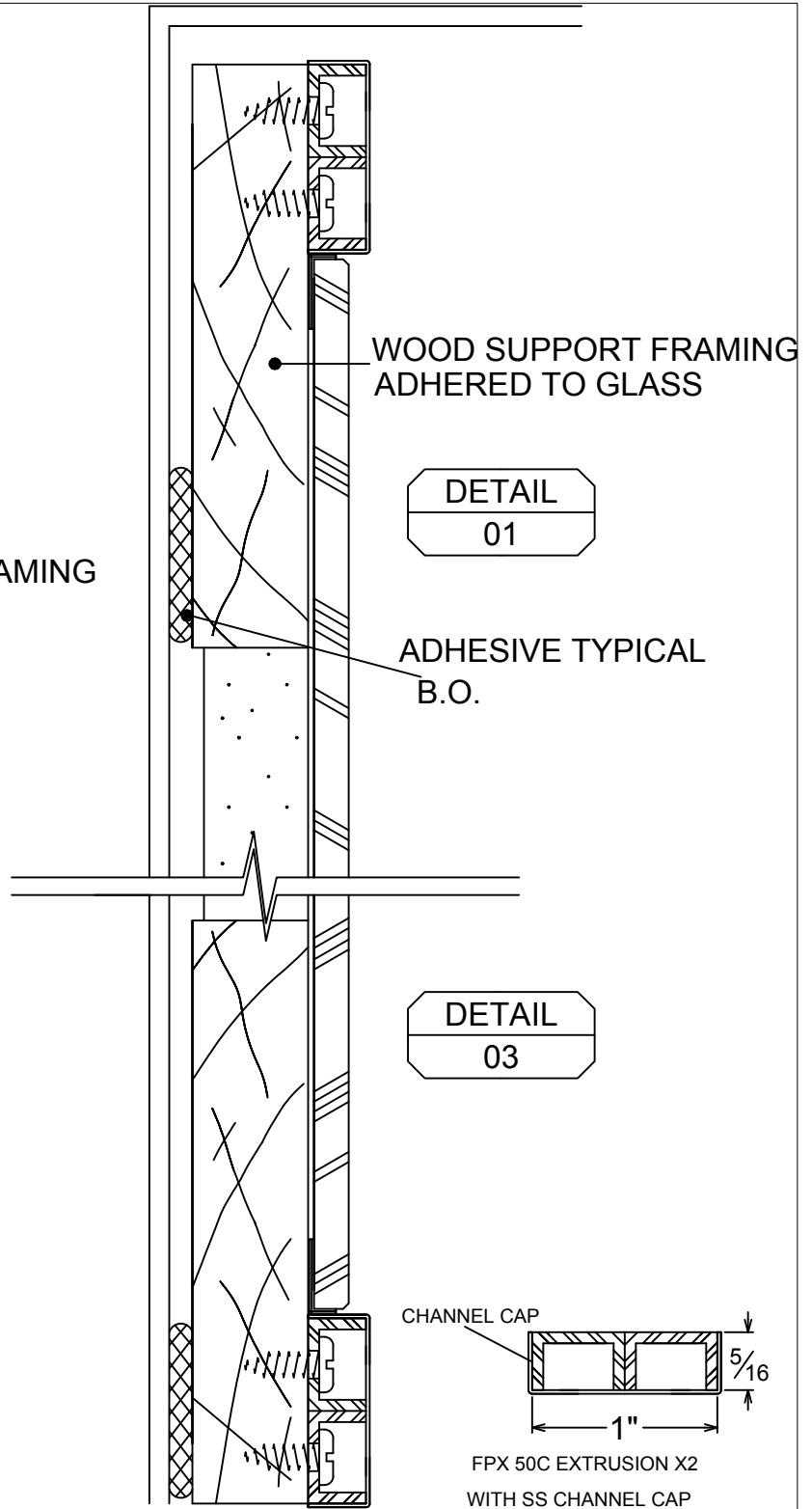
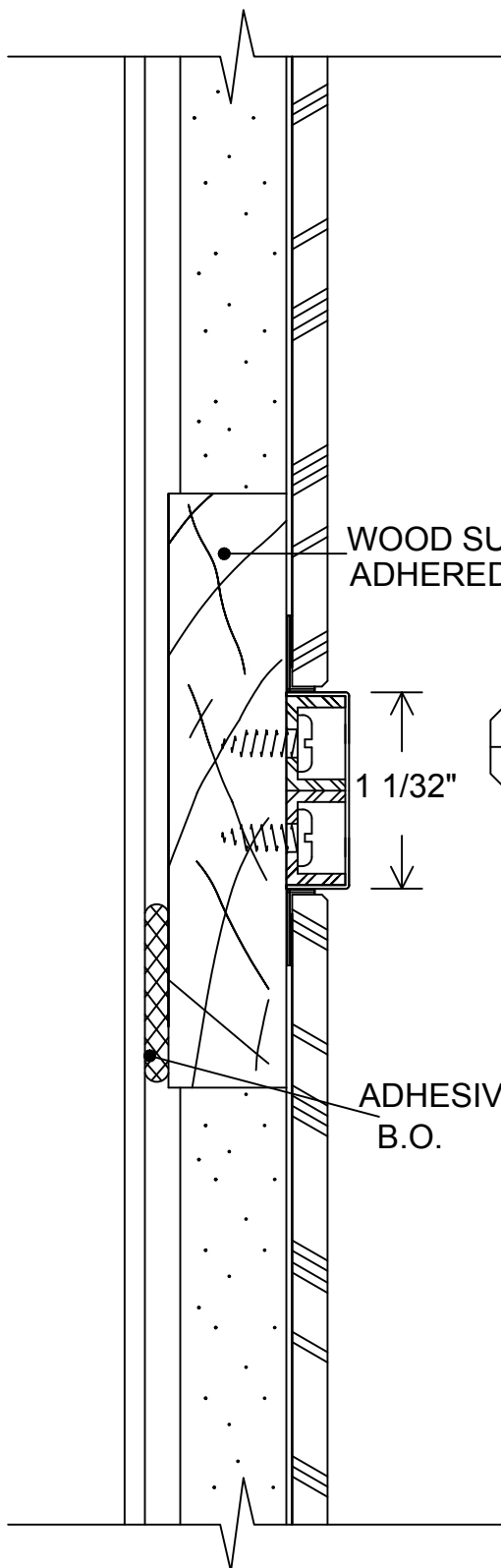


SYSTEM I SERIES 1000
**FPX 1" - 1 1/32" PROFILE
 EXTRUSIONS FULL SIZE**

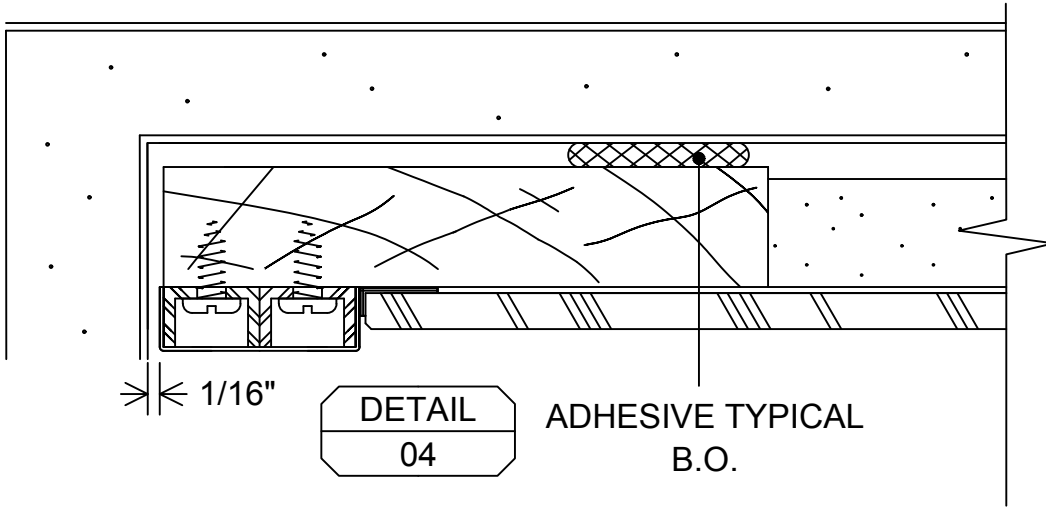


SYSTEM I SERIES 1000
FPX 1" - 1 1/32" PROFILE
EXTRUSIONS FULL SIZE



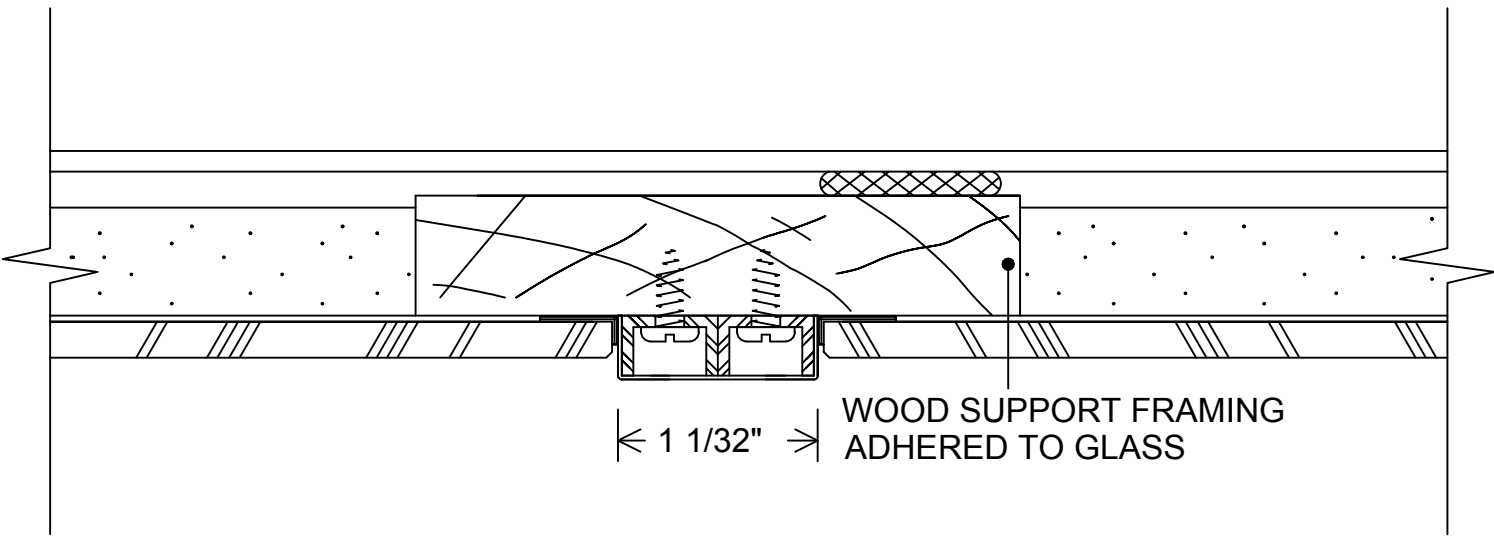


**SYSTEM I SERIES 1000-EX
 FPX 1" - 1 1/32" PROFILE
 EXTRUSIONS FULL SIZE**



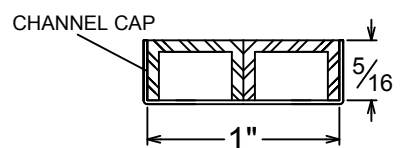
DETAIL
04

ADHESIVE TYPICAL
B.O.



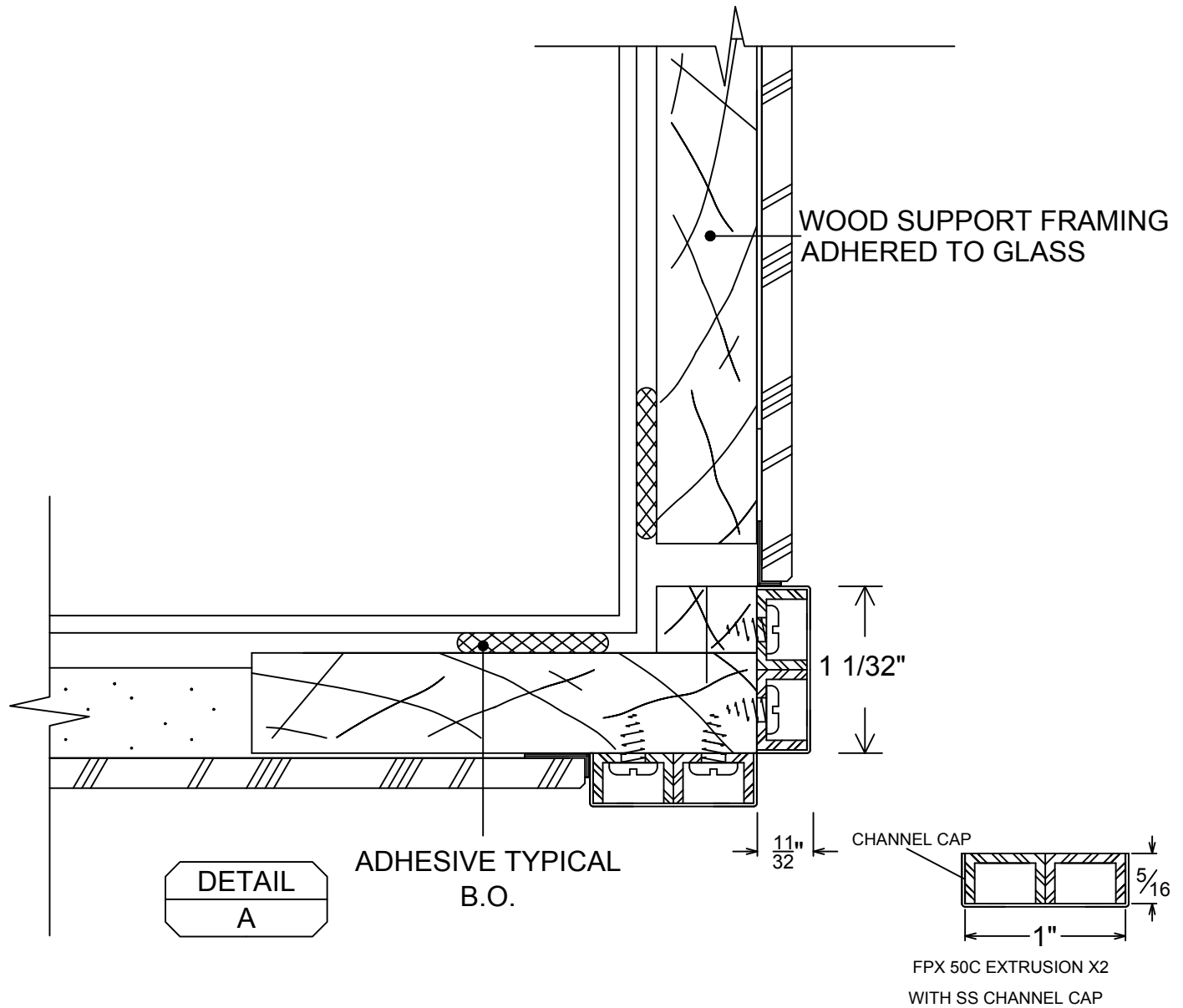
DETAIL
05

WOOD SUPPORT FRAMING
ADHERED TO GLASS



FPX 50C EXTRUSION X2
WITH SS CHANNEL CAP

SYSTEM I SERIES 1000-EX
FPX 1" - 1 1/32" PROFILE
EXTRUSIONS FULL SIZE



SYSTEM I SERIES 1000-EX
FPX 1" - 1 1/32" PROFILE
EXTRUSIONS FULL SIZE

