

NOT TO SCALE

FINISHES:

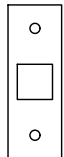
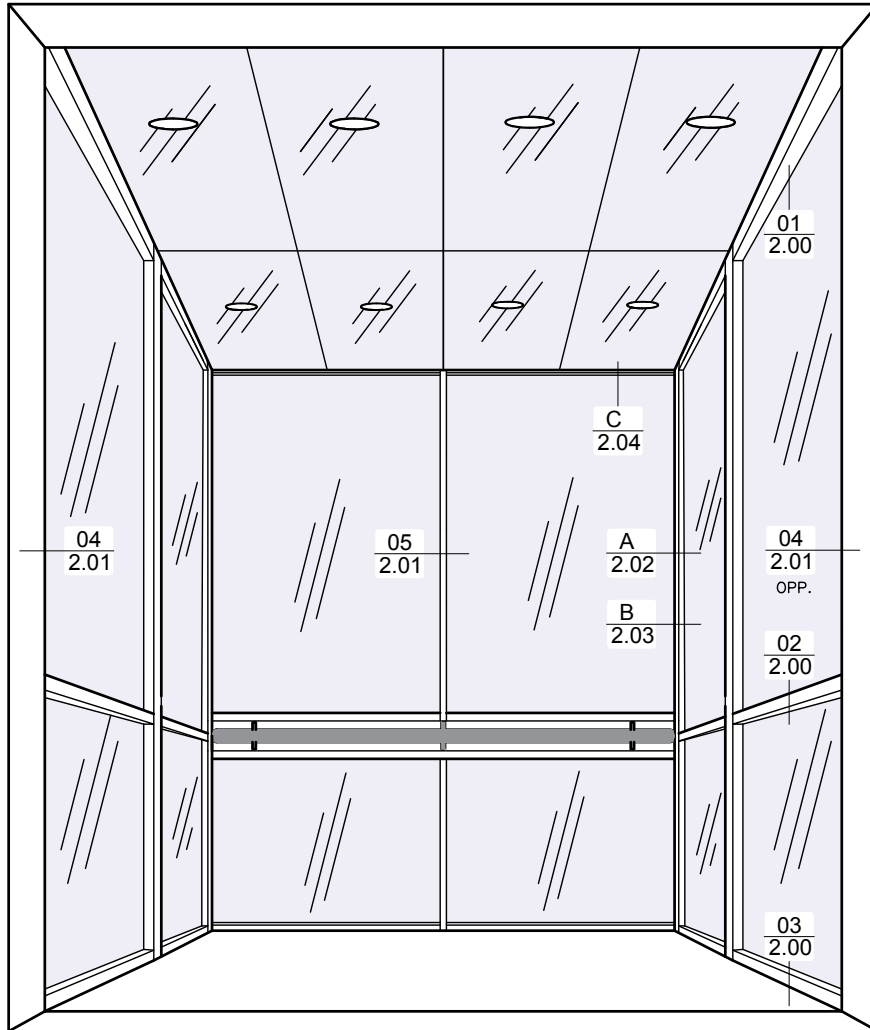
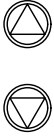
ALUM. - PAINTED or ANODIZED
ST. STL. - #4 SATIN, or BRITE
SPECIAL - CONTACT FACTORY

SYSTEM II
SERIES-250
FLUSH

FULLER PHOENIX ARCHITECTURAL PRODUCTS

713.699.2262

www.fullerphoenix.com



NOT TO SCALE

FINISHES:

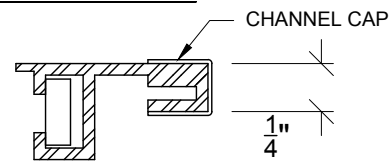
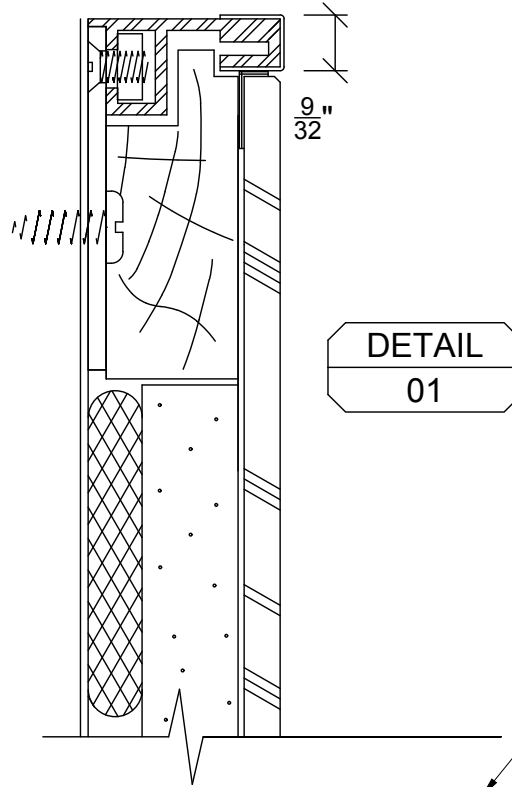
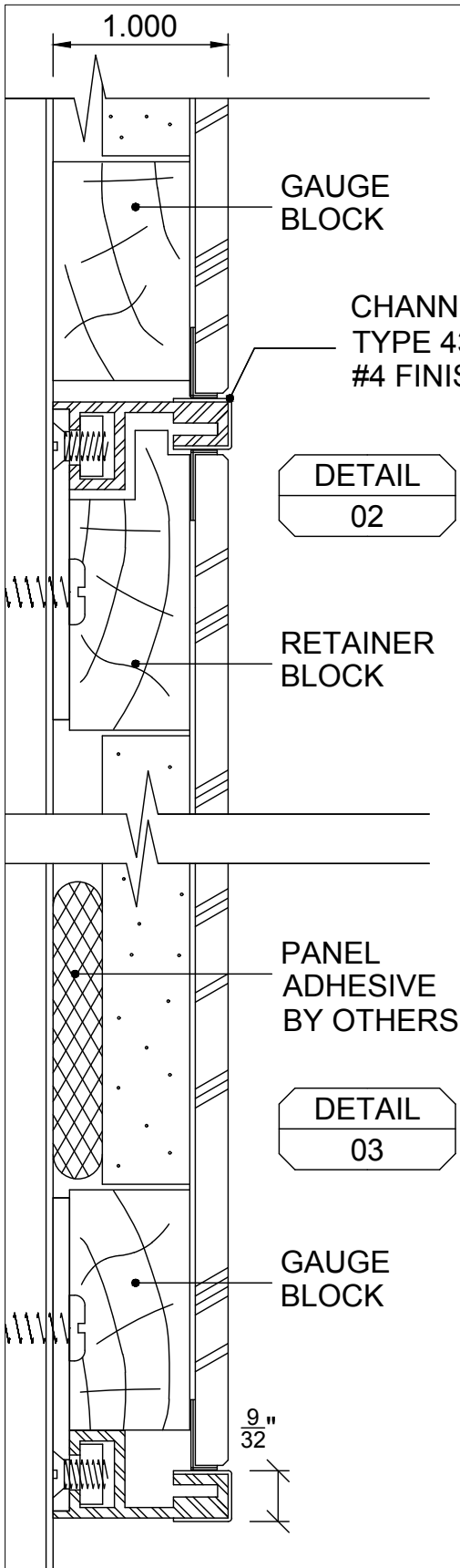
ALUM. - PAINTED or ANODIZED
ST. STL. - #4 SATIN, or BRITE
SPECIAL - CONTACT FACTORY

SYSTEM II
SERIES-250 EX
EXTENDED

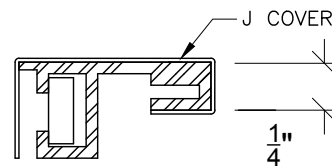
FULLER PHOENIX ARCHITECTURAL PRODUCTS

713.699.2262

www.fullerphoenix.com

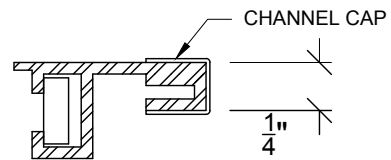
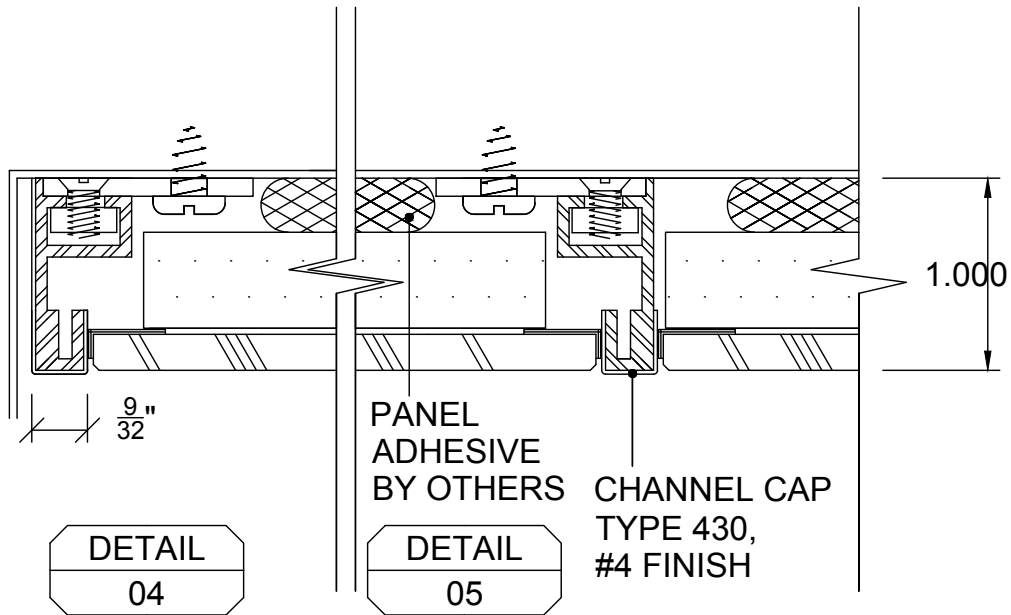


FPX 2SY25 EXTRUSION
WITH CHANNEL CAP
SS OR BRASS

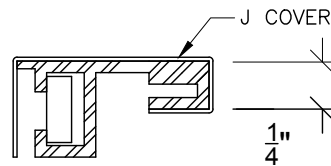


FPX 2SY25 EXTRUSION
WITH J COVER

SYSTEM II SERIES 250
FPX 1/4" - 9/32" PROFILE
EXTRUSIONS FULL SIZE

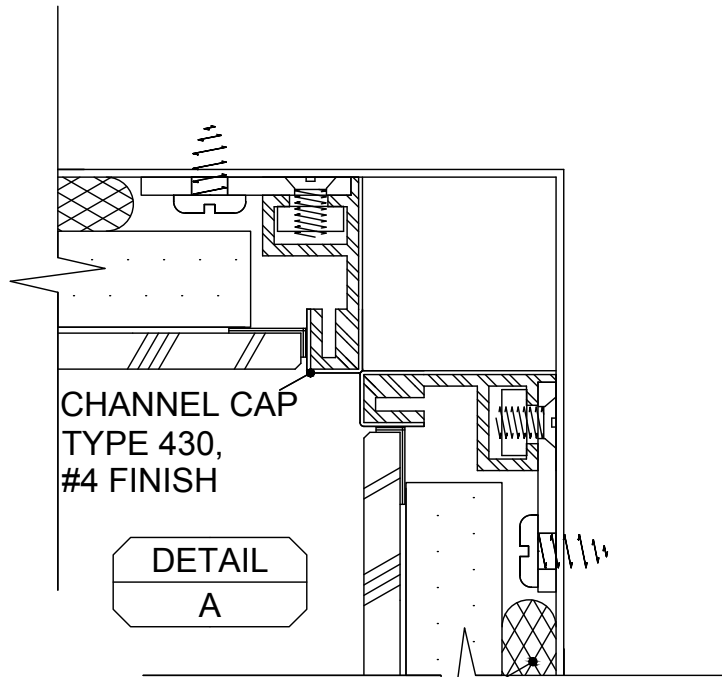


FPX 2SY25 EXTRUSION
 WITH CHANNEL CAP
 SS OR BRASS



FPX 2SY25 EXTRUSION
 WITH J COVER

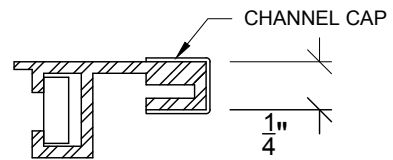
SYSTEM II SERIES 250 FPX 1/4" - 9/32" PROFILE EXTRUSIONS FULL SIZE



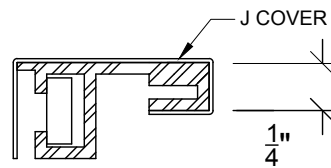
CHANNEL CAP
TYPE 430,
#4 FINISH

DETAIL
A

PANEL
ADHESIVE
BY OTHERS

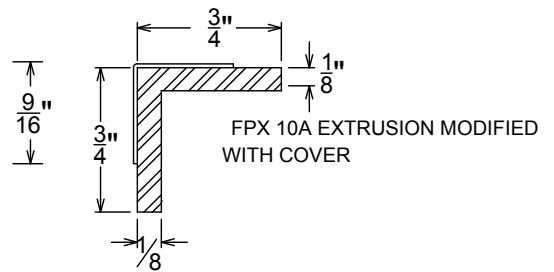
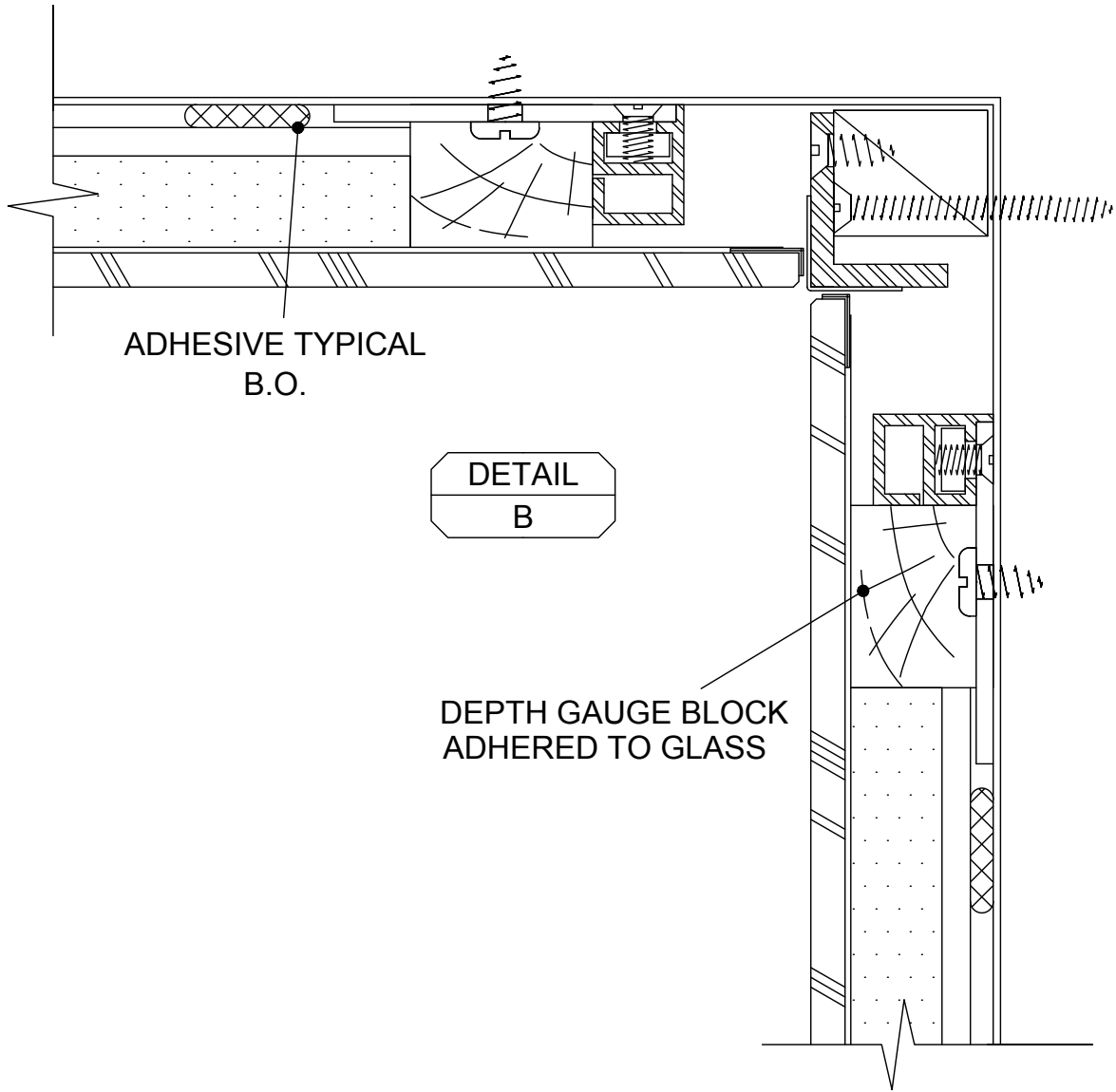


FPX 2SY25 EXTRUSION
WITH CHANNEL CAP
SS OR BRASS



FPX 2SY25 EXTRUSION
WITH J COVER

SYSTEM II SERIES 250
FPX 1/4" - 9/32" PROFILE
EXTRUSIONS FULL SIZE

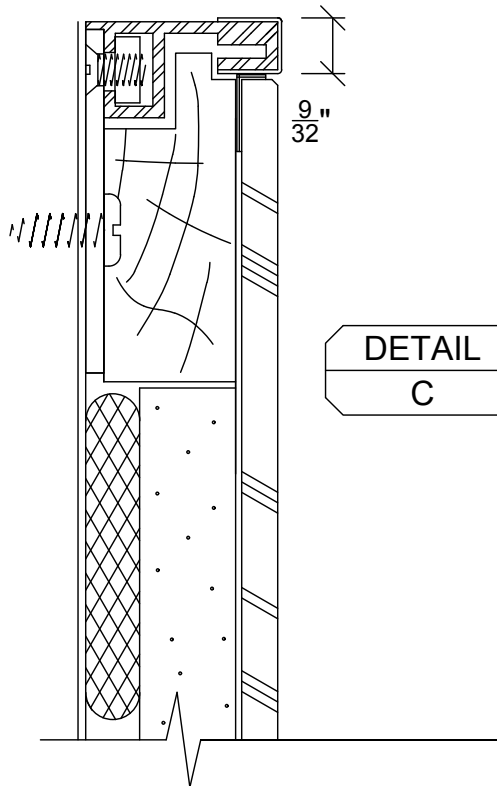
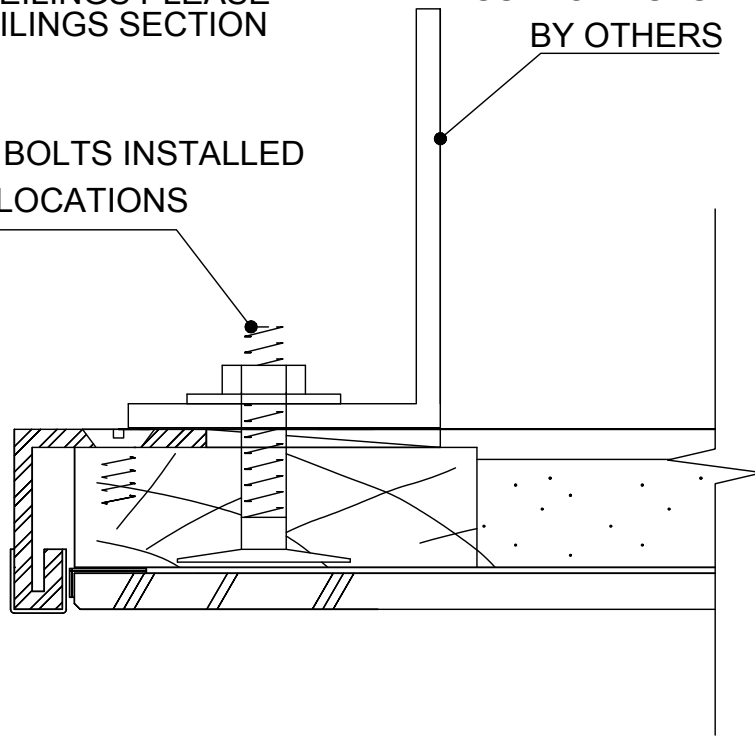


**SYSTEM II SERIES 250
 FPX 1/4" - 9/32" PROFILE
 EXTRUSIONS FULL SIZE**

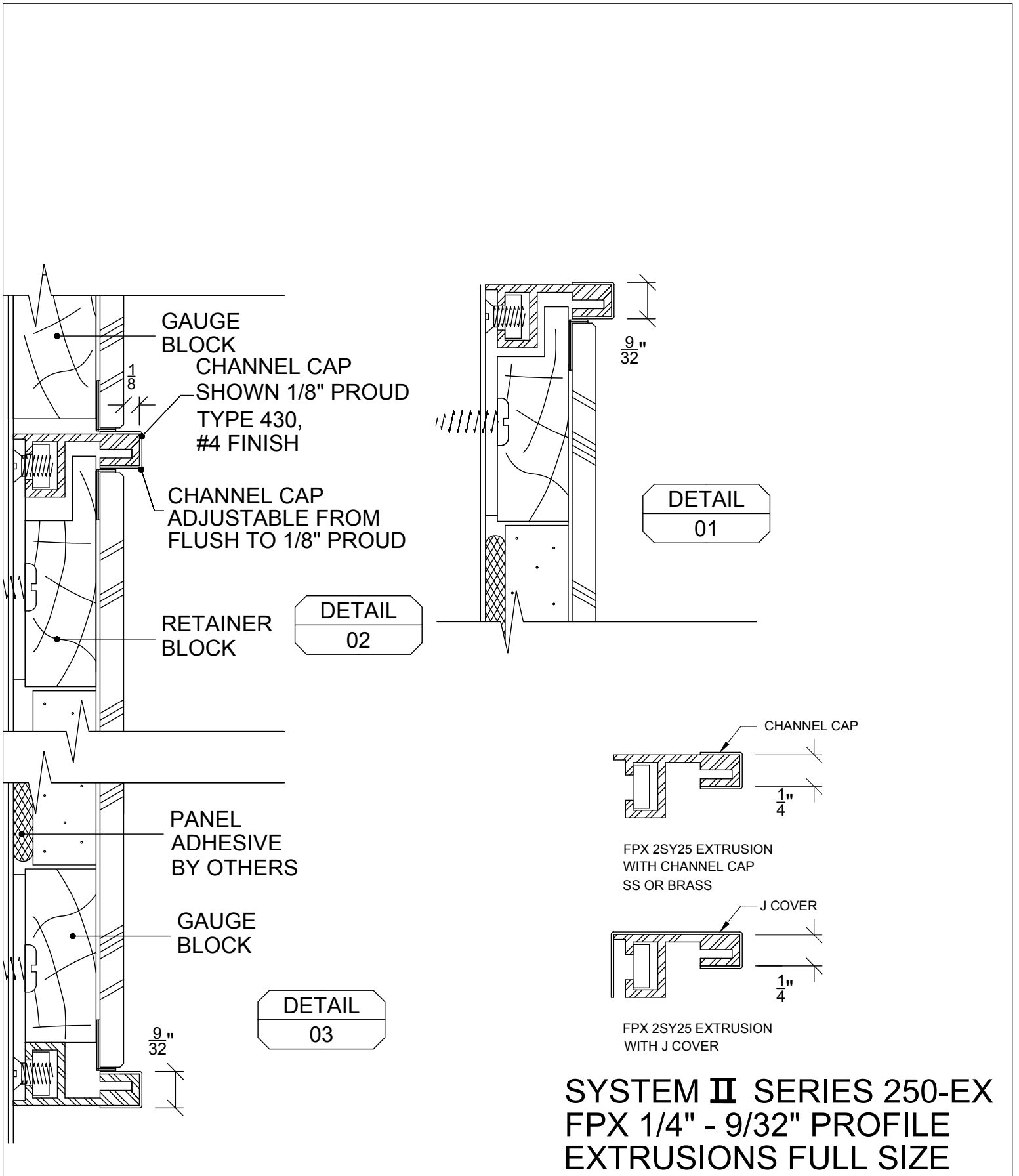
FOR MORE ABOUT FPX CEILINGS PLEASE
SEE OUR ELEVATOR CEILINGS SECTION

SUPPLIED ELEVATOR BOLTS INSTALLED
AT SPECIFIED LOCATIONS

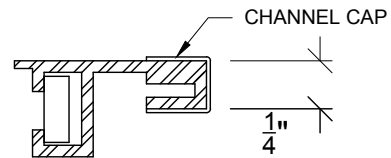
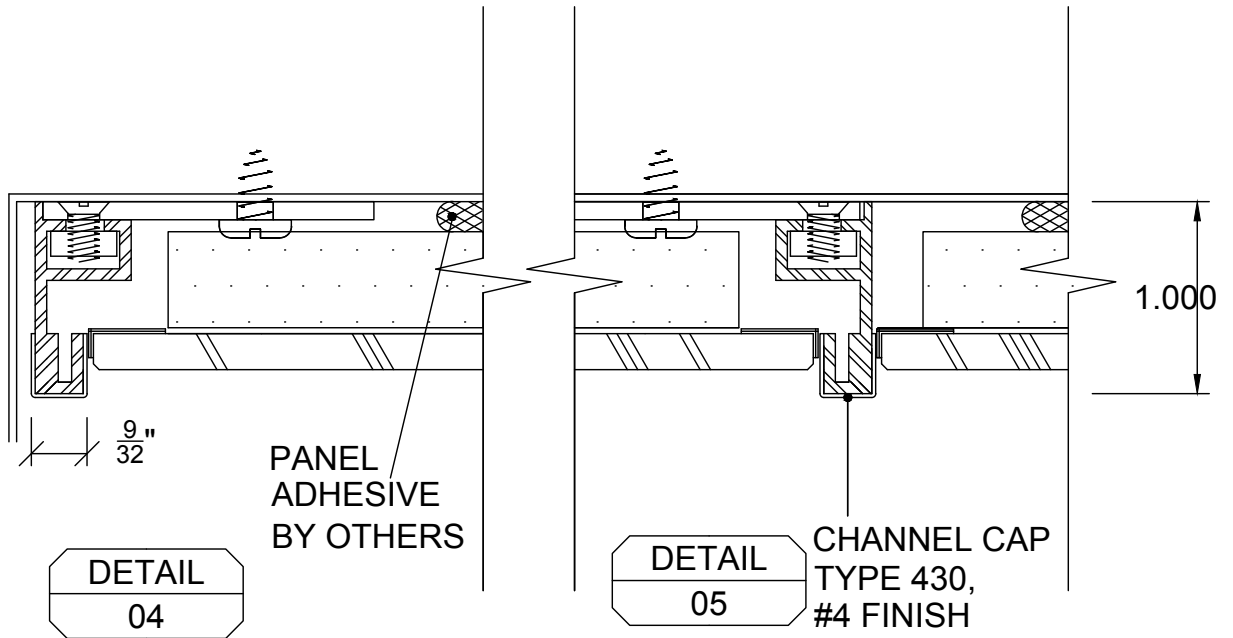
SUPPORT SYSTEM
BY OTHERS



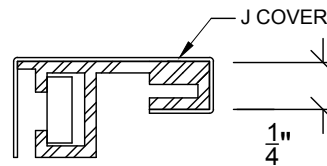
SYSTEM II SERIES 250
FPX 1/4" - 9/32" PROFILE
EXTRUSIONS FULL SIZE



**SYSTEM II SERIES 250-EX
FPX 1/4" - 9/32" PROFILE
EXTRUSIONS FULL SIZE**

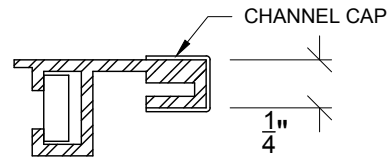
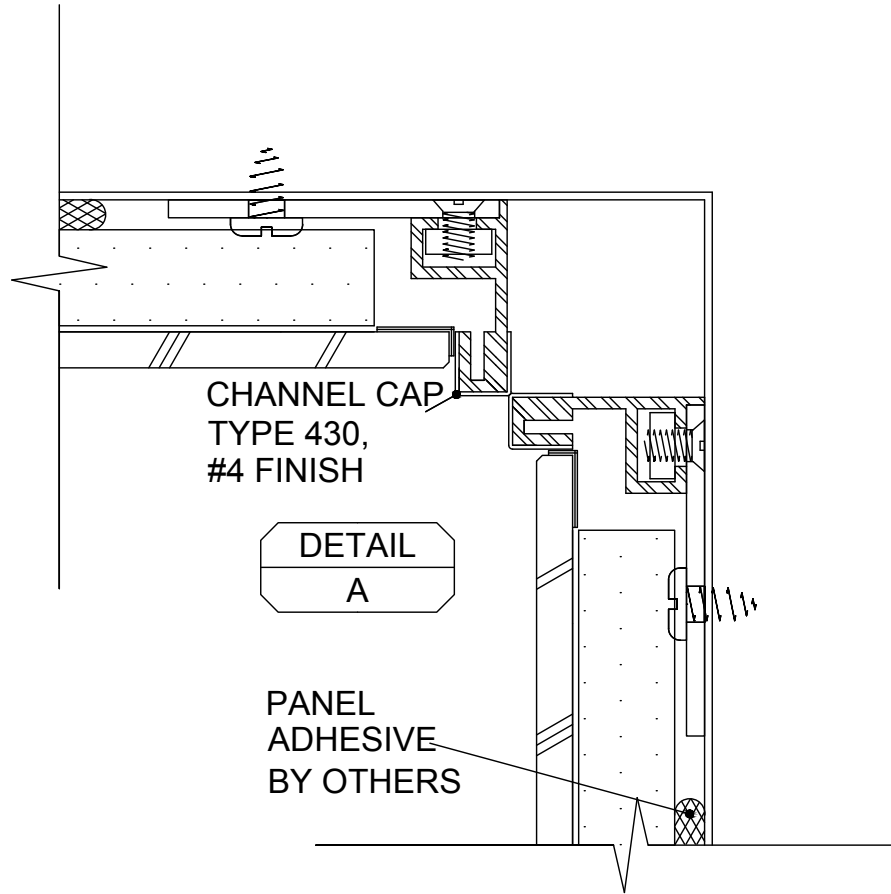


FPX 2SY25 EXTRUSION WITH CHANNEL CAP
SS OR BRASS

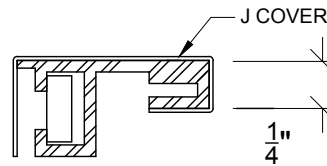


FPX 2SY25 EXTRUSION WITH J COVER

SYSTEM II SERIES 250-EX
FPX 1/4" - 9/32" PROFILE
EXTRUSIONS FULL SIZE

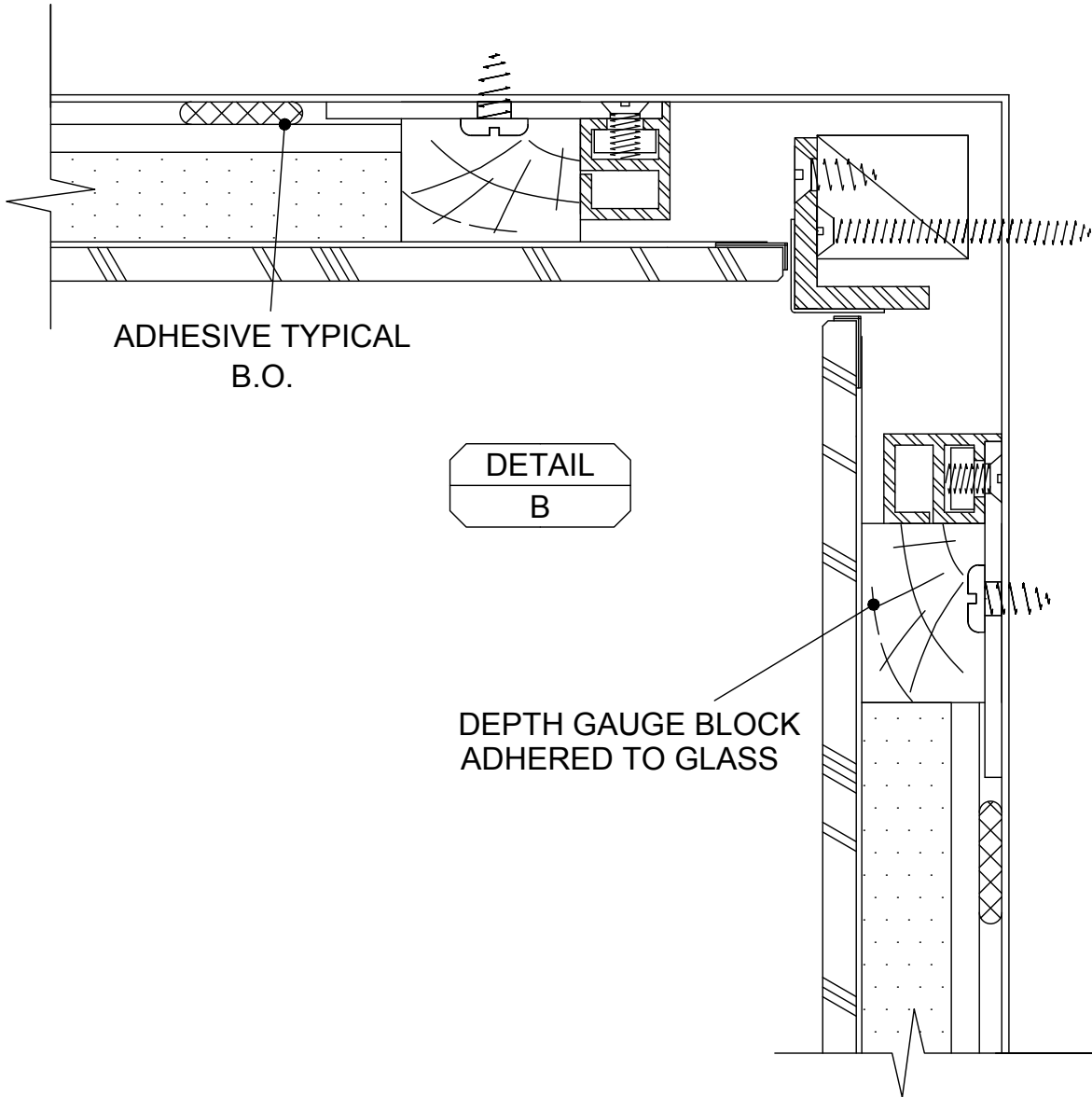


FPX 2SY25 EXTRUSION
WITH CHANNEL CAP
SS OR BRASS



FPX 2SY25 EXTRUSION
WITH J COVER

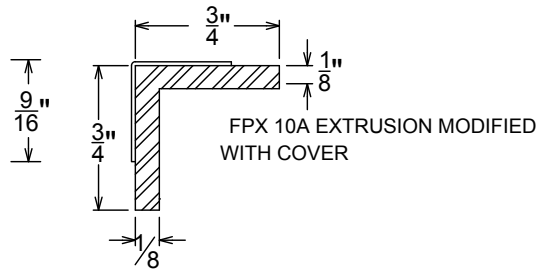
SYSTEM II SERIES 250-EX
FPX 1/4" - 9/32" PROFILE
EXTRUSIONS FULL SIZE



ADHESIVE TYPICAL
B.O.

DETAIL
B

DEPTH GAUGE BLOCK
ADHERED TO GLASS

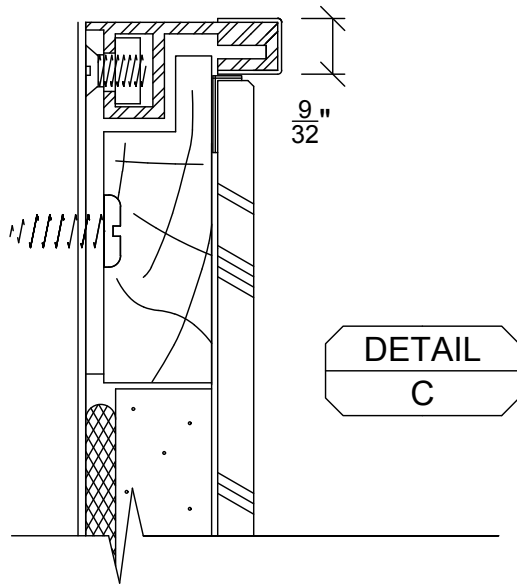
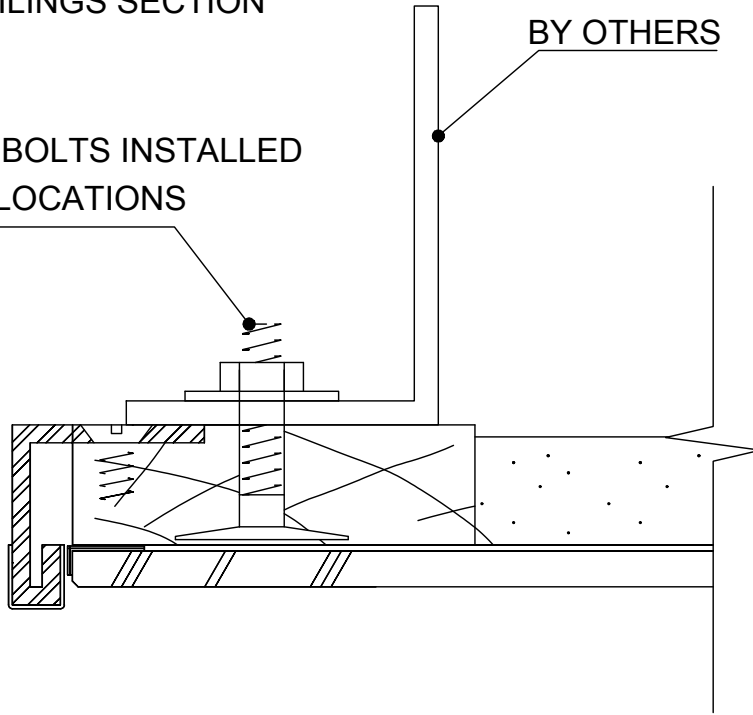


SYSTEM II SERIES 250-EX
FPX 1/4" - 9/32" PROFILE
EXTRUSIONS FULL SIZE

FOR MORE ABOUT FPX CEILINGS PLEASE
SEE OUR ELEVATOR CEILINGS SECTION

SUPPLIED ELEVATOR BOLTS INSTALLED
AT SPECIFIED LOCATIONS

SUPPORT SYSTEM
BY OTHERS



SYSTEM II SERIES 250-EX
FPX 1/4" - 9/32" PROFILE
EXTRUSIONS FULL SIZE