

**NOT TO SCALE**

**FINISHES:**

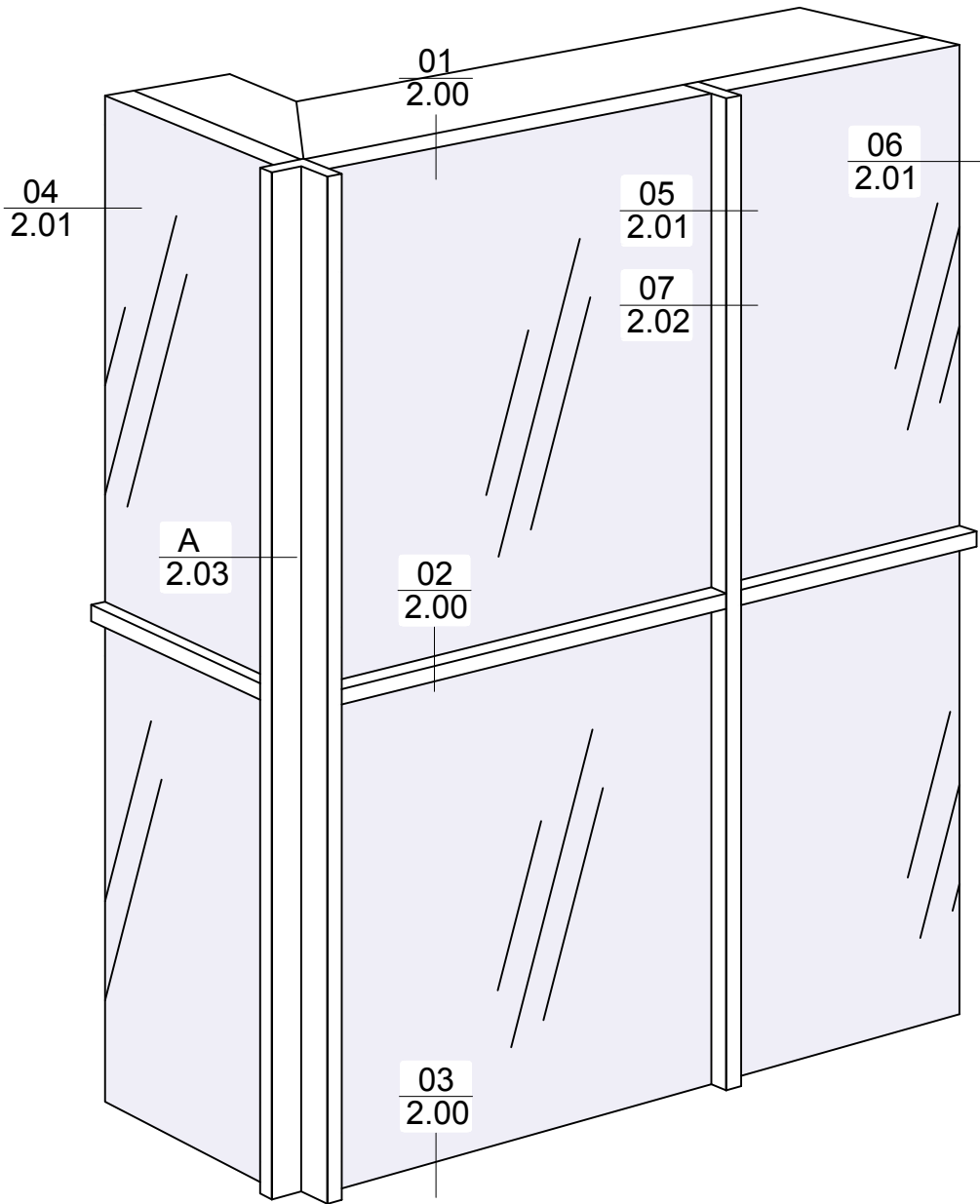
ALUM. - PAINTED or ANODIZED  
ST. STL. - #4 SATIN, or BRITE  
SPECIAL - CONTACT FACTORY

**SYSTEM I  
SERIES-125  
FLUSH**

FULLER PHOENIX ARCHITECTURAL PRODUCTS

713.699.2262

[www.fullerphoenix.com](http://www.fullerphoenix.com)



**NOT TO SCALE**

**FINISHES:**

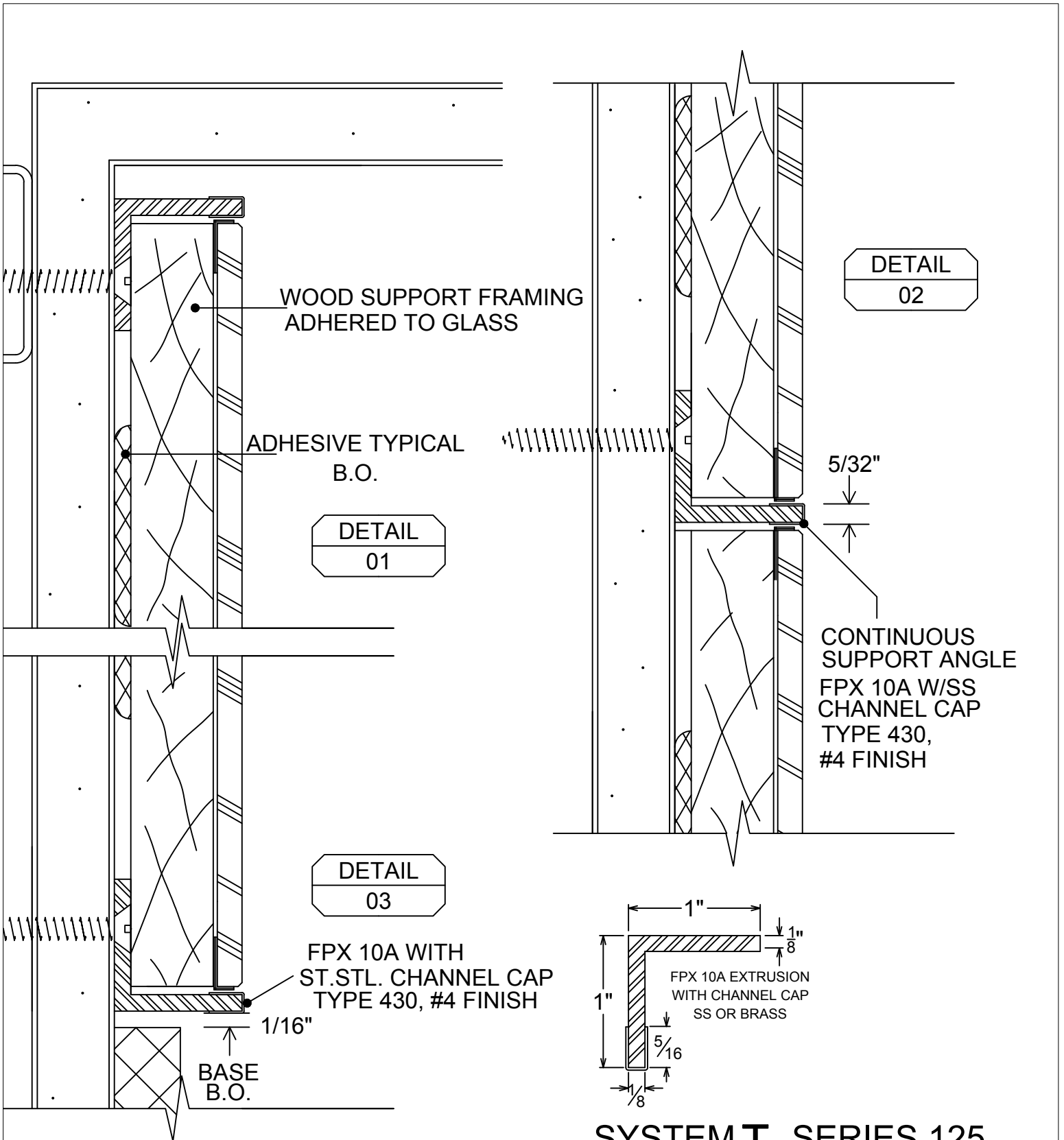
ALUM. - PAINTED or ANODIZED  
ST. STL. - #4 SATIN, or BRITE  
SPECIAL - CONTACT FACTORY

**SYSTEM I  
SERIES-125-EX  
EXTENDED**

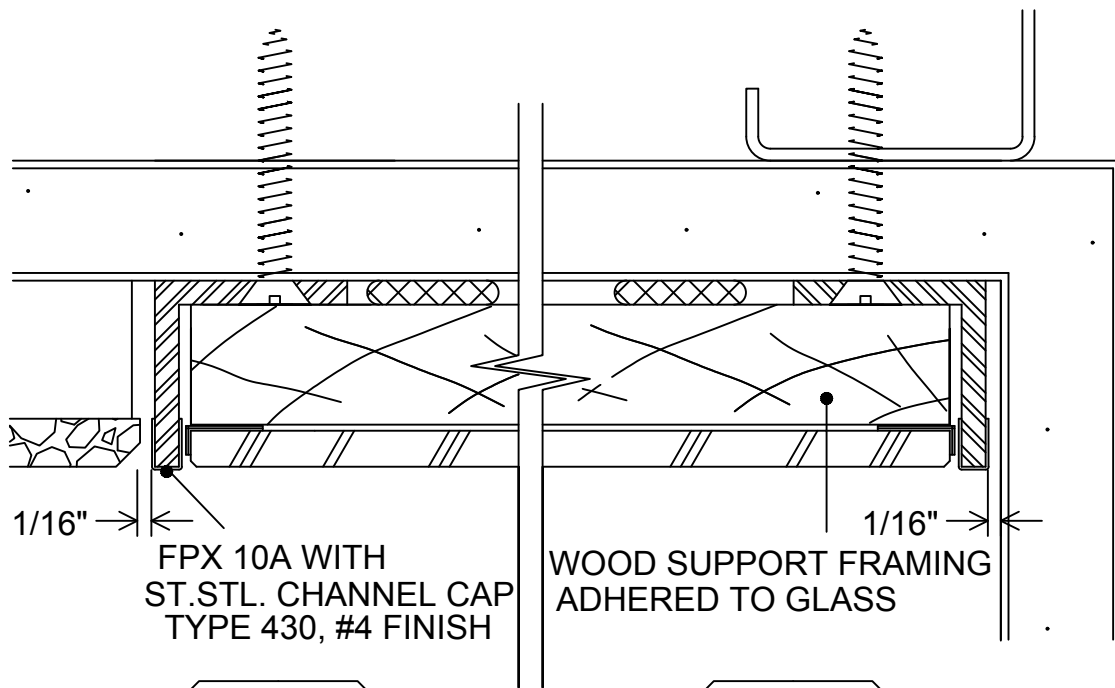
FULLER PHOENIX ARCHITECTURAL PRODUCTS

713.699.2262

[www.fullerphoenix.com](http://www.fullerphoenix.com)



**SYSTEM I SERIES 125  
 FPX 1/8" - 5/32" PROFILE  
 EXTRUSIONS FULL SIZE**

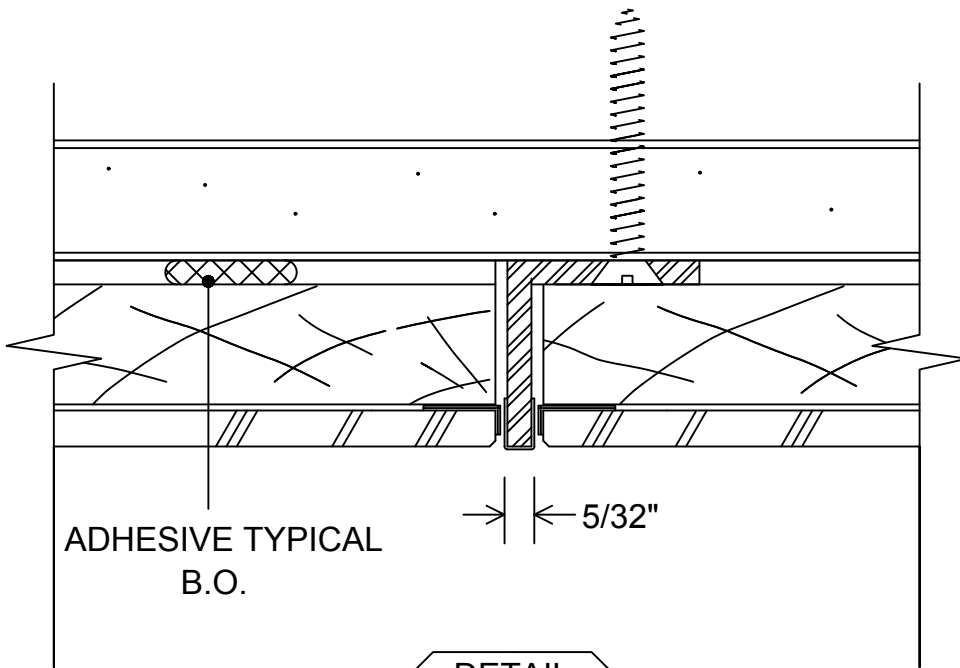


1/16" →  
 FPX 10A WITH  
 ST.STL. CHANNEL CAP  
 TYPE 430, #4 FINISH

← 1/16"  
 WOOD SUPPORT FRAMING  
 ADHERED TO GLASS

DETAIL  
 04

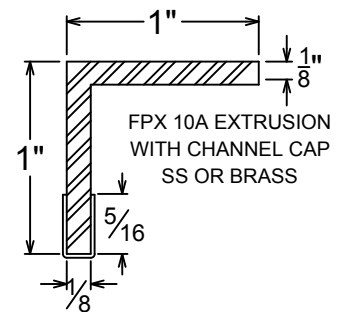
DETAIL  
 06



ADHESIVE TYPICAL  
 B.O.

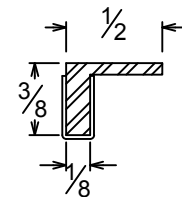
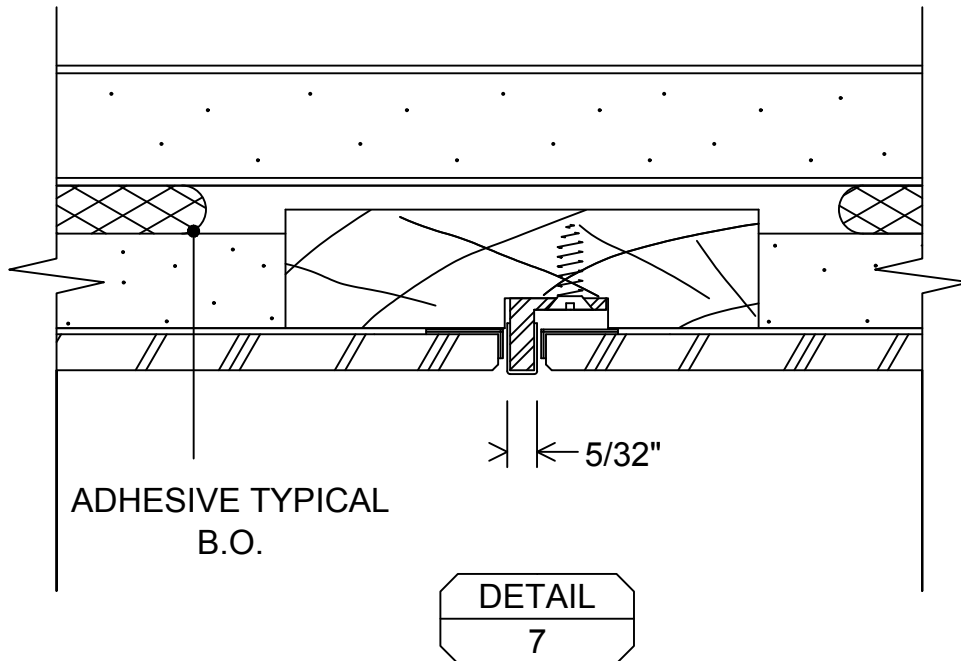
→ ← 5/32"

DETAIL  
 05



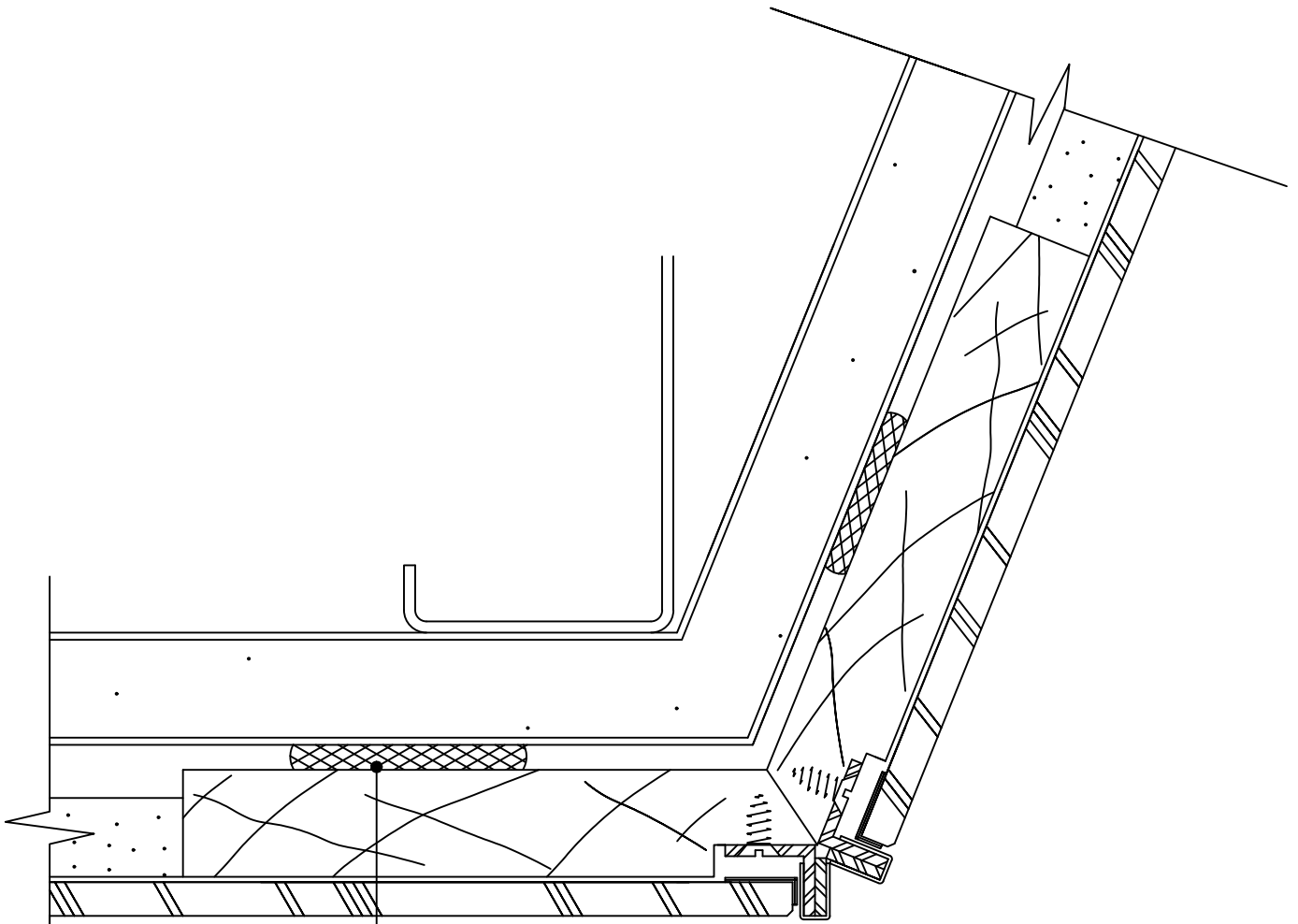
FPX 10A EXTRUSION  
 WITH CHANNEL CAP  
 SS OR BRASS

**SYSTEM I SERIES 125**  
**FPX 1/8" - 5/32" PROFILE**  
**EXTRUSIONS FULL SIZE**



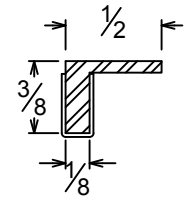
FPX 125FL EXTRUSION  
WITH CHANNEL CAP  
SS OR BRASS

**SYSTEM I SERIES 125**  
**FPX 1/8" - 5/32" PROFILE**  
**EXTRUSIONS FULL SIZE**



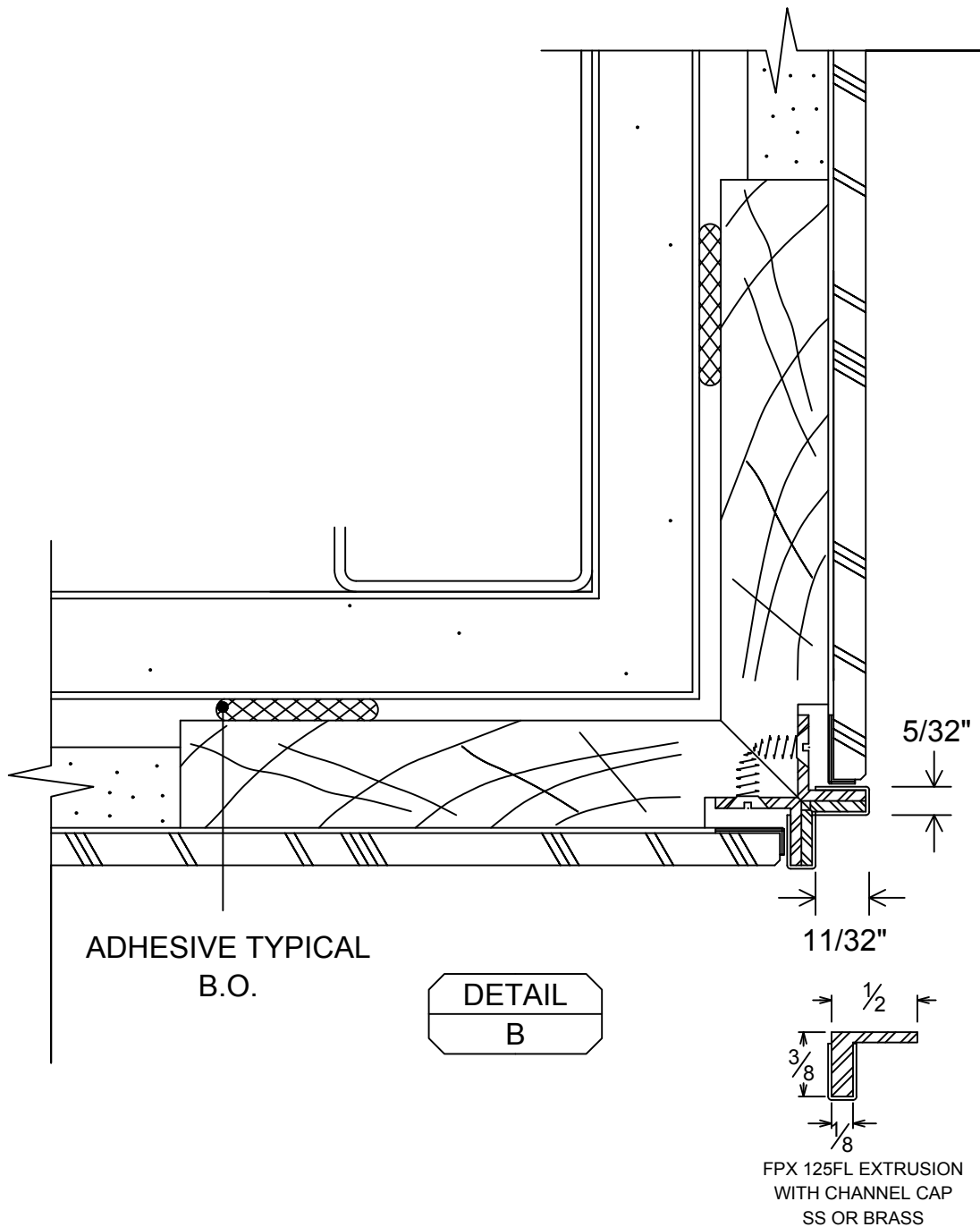
ADHESIVE TYPICAL B.O. CUSTOM VARIABLE ANGLE CORNER

DETAIL  
A

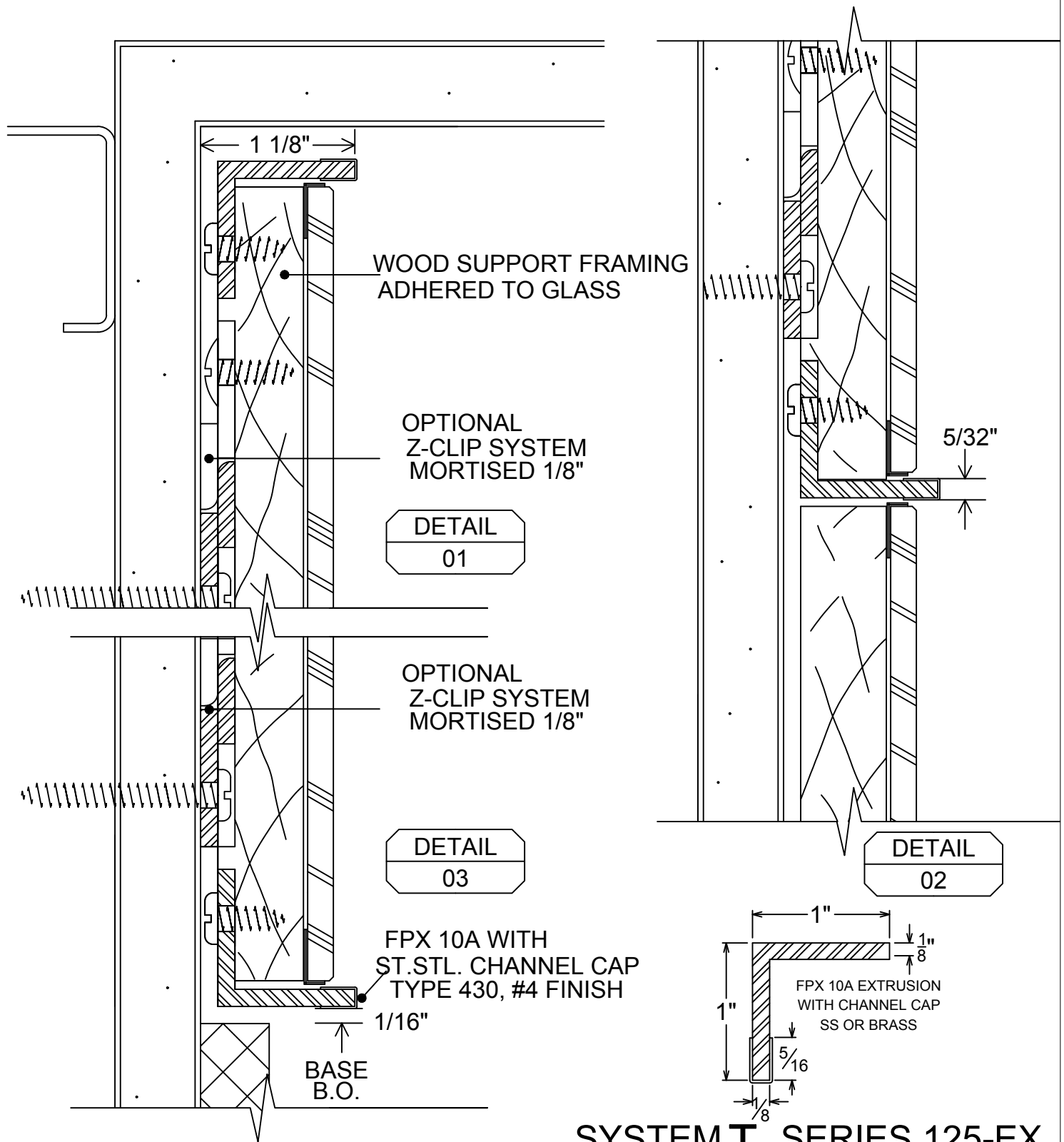


FPX 125FL EXTRUSION  
WITH CHANNEL CAP  
SS OR BRASS

**SYSTEM I SERIES 125**  
**FPX 1/8" - 5/32" PROFILE**  
**EXTRUSIONS FULL SIZE**

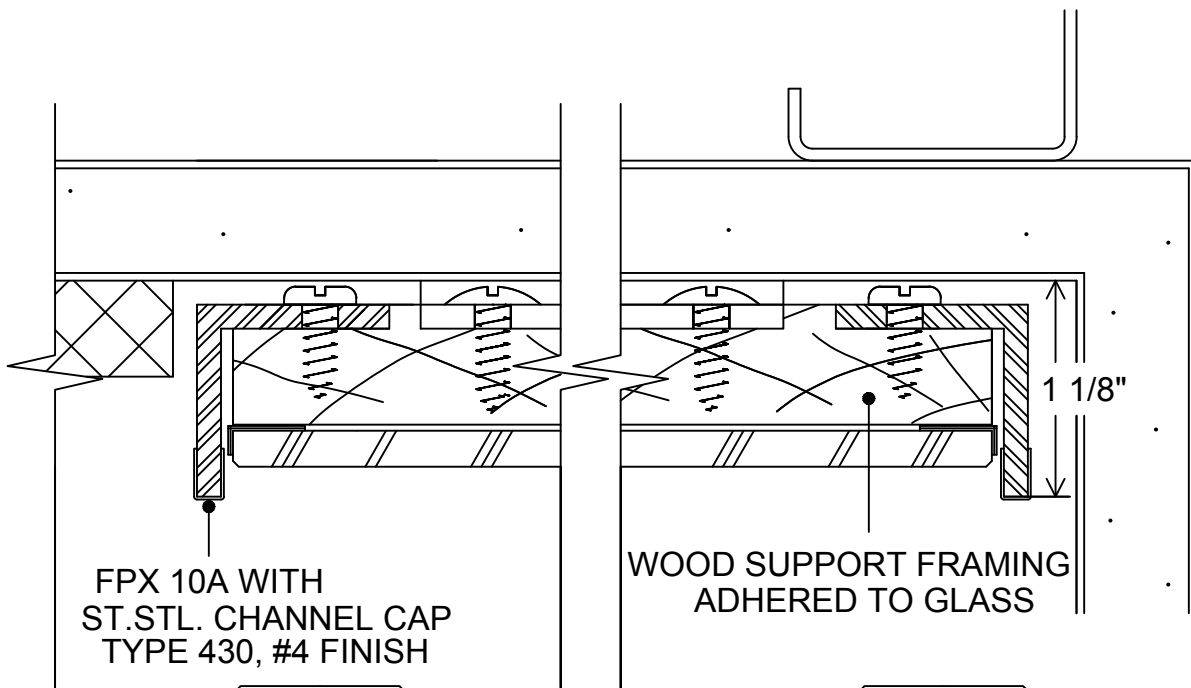


**SYSTEM I SERIES 125**  
**FPX 1/8" - 5/32" PROFILE**  
**EXTRUSIONS FULL SIZE**



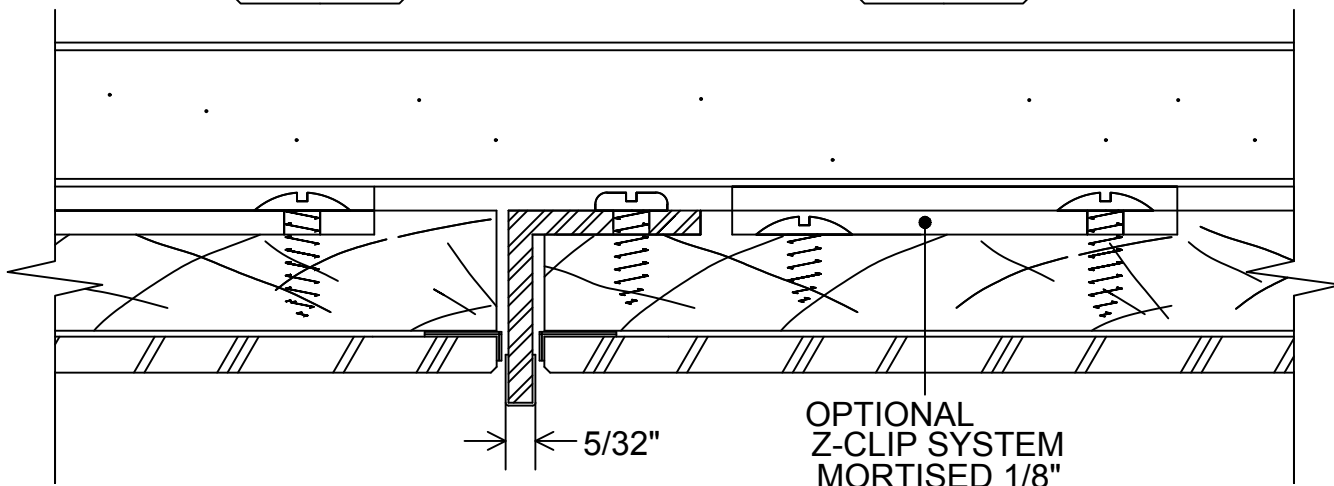
**SYSTEM I SERIES 125-EX  
 FPX 1/8" - 5/32" PROFILE  
 EXTRUSIONS FULL SIZE**



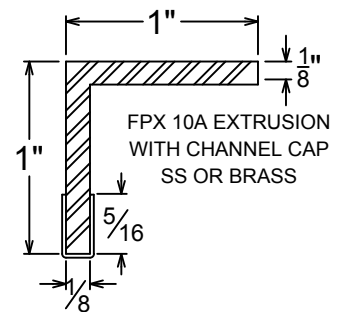


DETAIL  
04

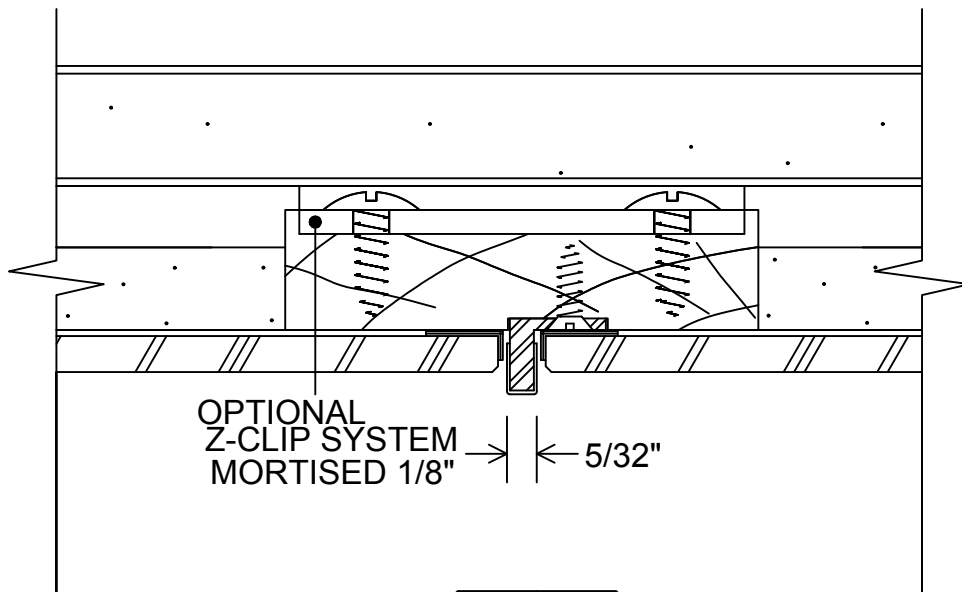
DETAIL  
06



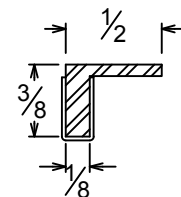
DETAIL  
05



**SYSTEM I SERIES 125-EX**  
**FPX 1/8" - 5/32" PROFILE**  
**EXTRUSIONS FULL SIZE**

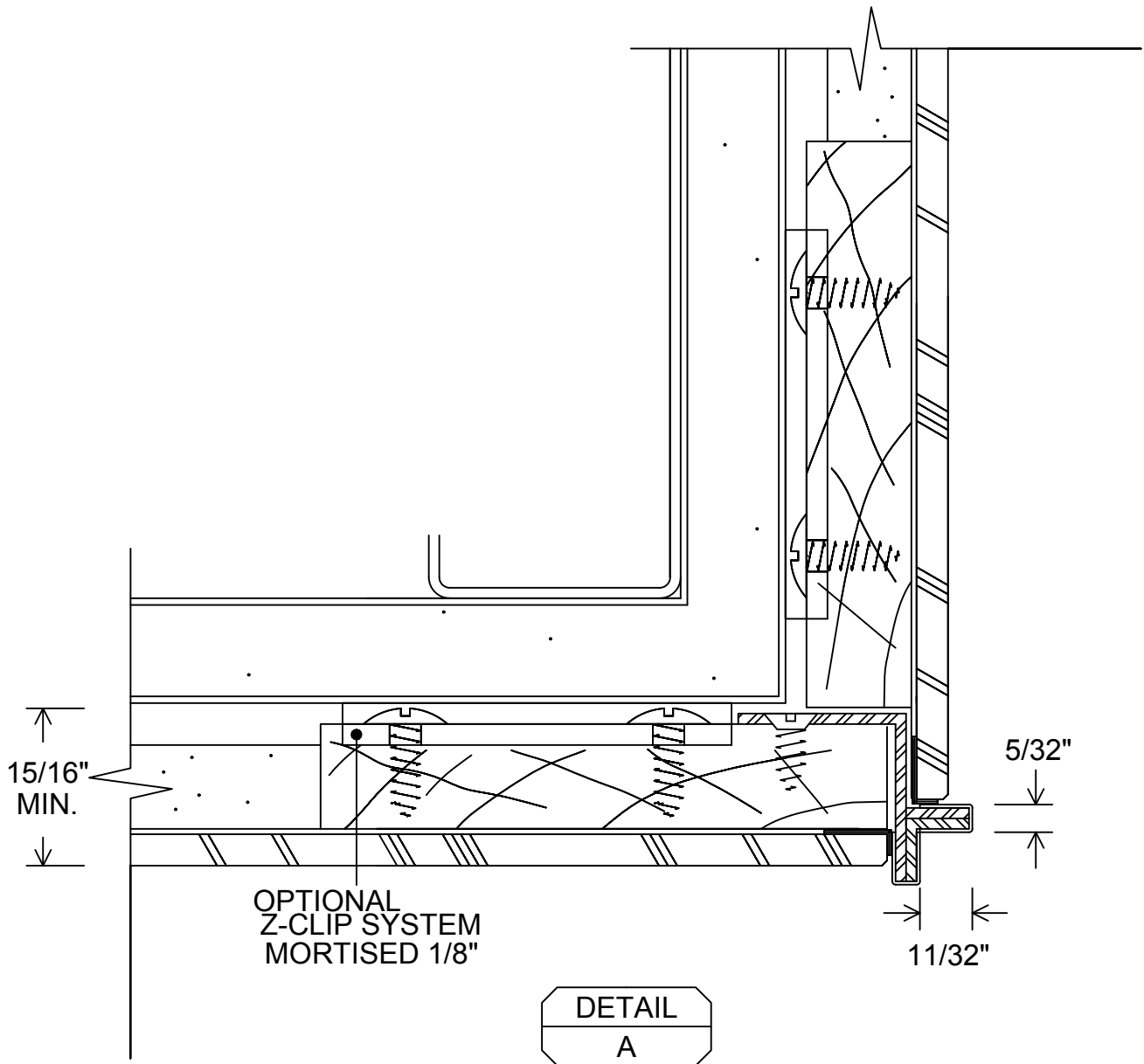


DETAIL  
7



FPX 125FL EXTRUSION  
WITH CHANNEL CAP  
SS OR BRASS

**SYSTEM I SERIES 125-EX**  
**FPX 1/8" - 5/32" PROFILE**  
**EXTRUSIONS FULL SIZE**



**SYSTEM I SERIES 125-EX  
FPX 1/8" - 5/32" PROFILE  
EXTRUSIONS FULL SIZE**