

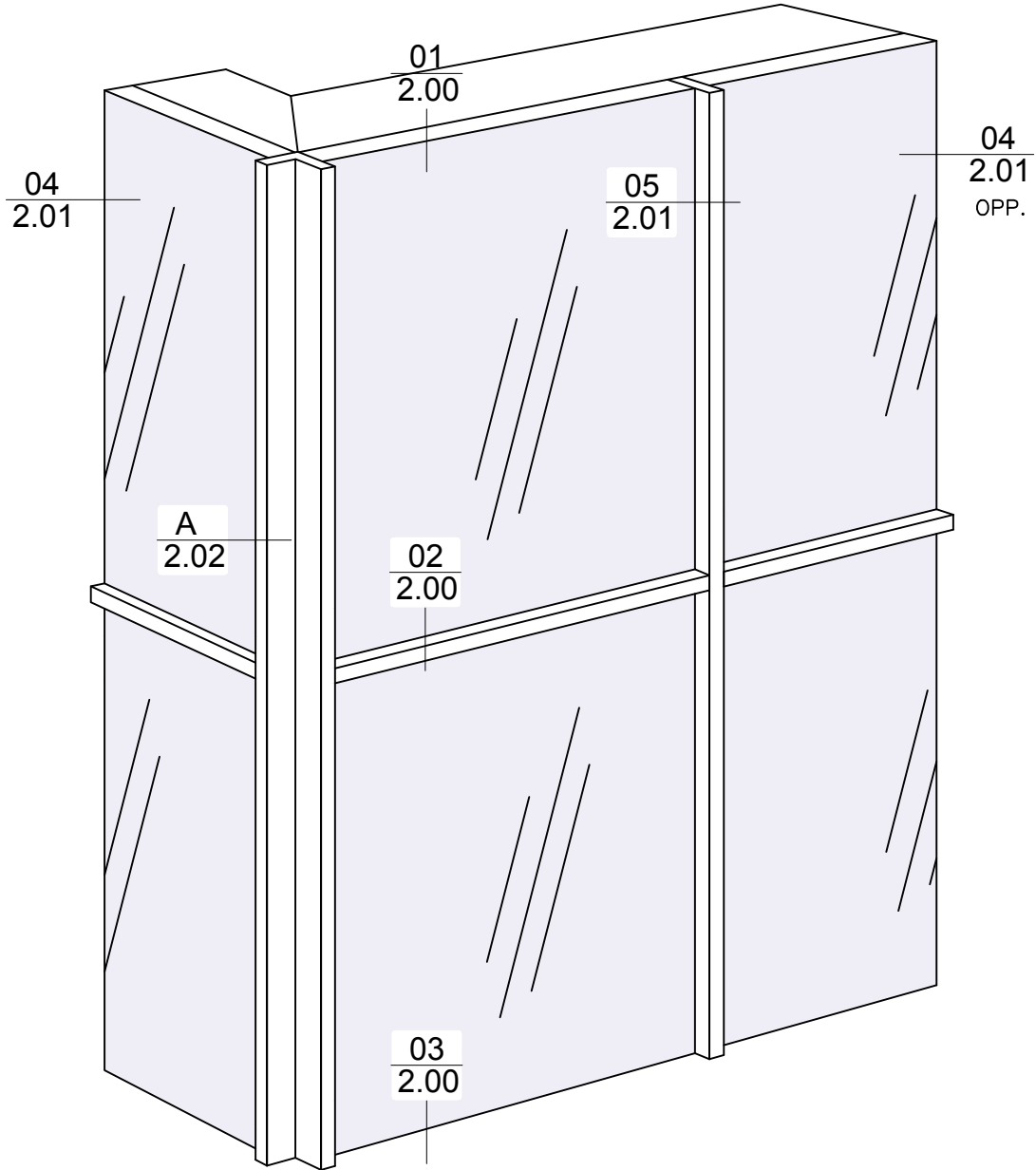
NOT TO SCALE

FINISHES:

ALUM. - PAINTED or ANODIZED
 ST. STL. - #4 SATIN, or BRITE
 SPECIAL - CONTACT FACTORY

**SYSTEM II
 SERIES-125
 FLUSH**

FULLER PHOENIX ARCHITECTURAL PRODUCTS



NOT TO SCALE

FINISHES:

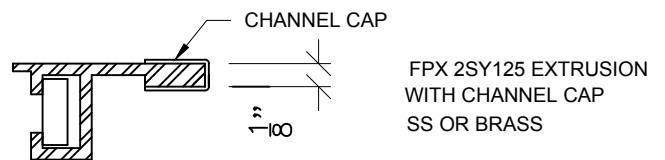
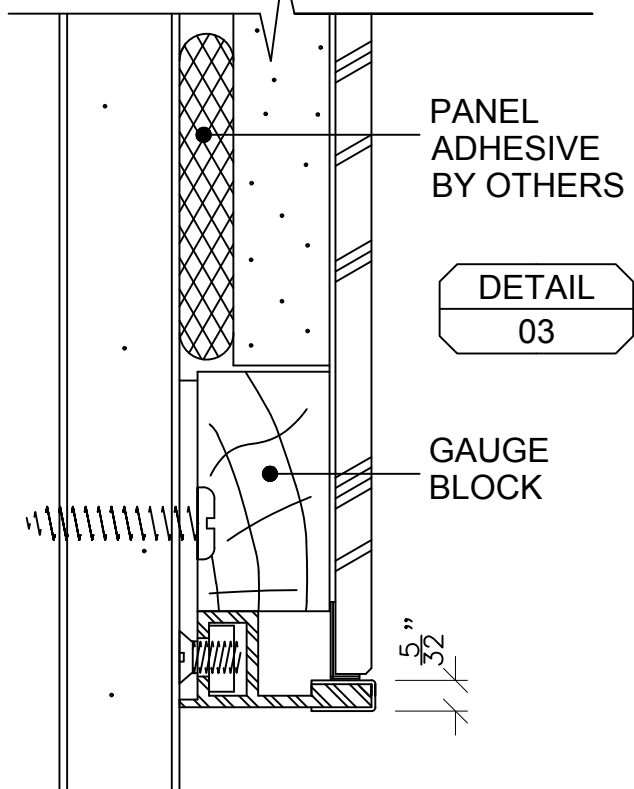
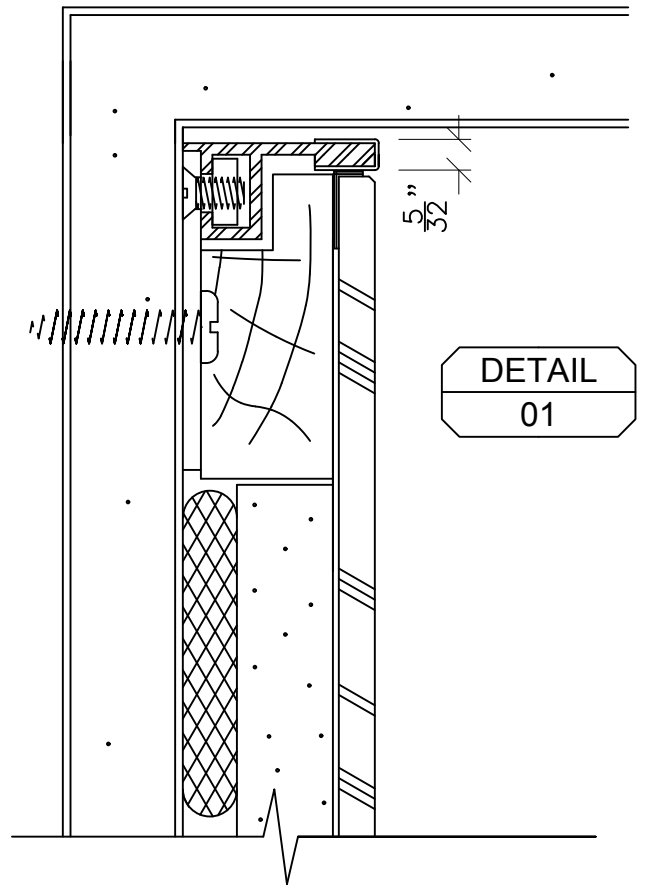
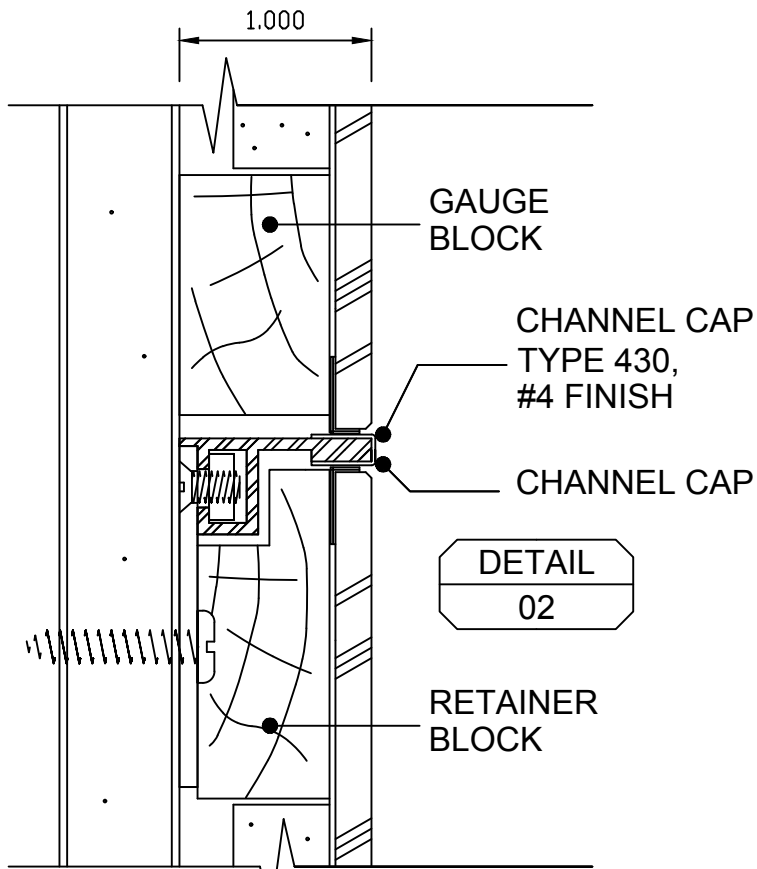
ALUM. - PAINTED or ANODIZED
ST. STL. - #4 SATIN, or BRITE
SPECIAL - CONTACT FACTORY

**SYSTEM II
SERIES-125-EX
EXTENDED**

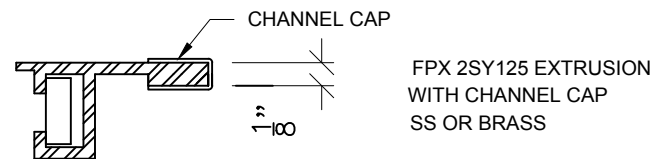
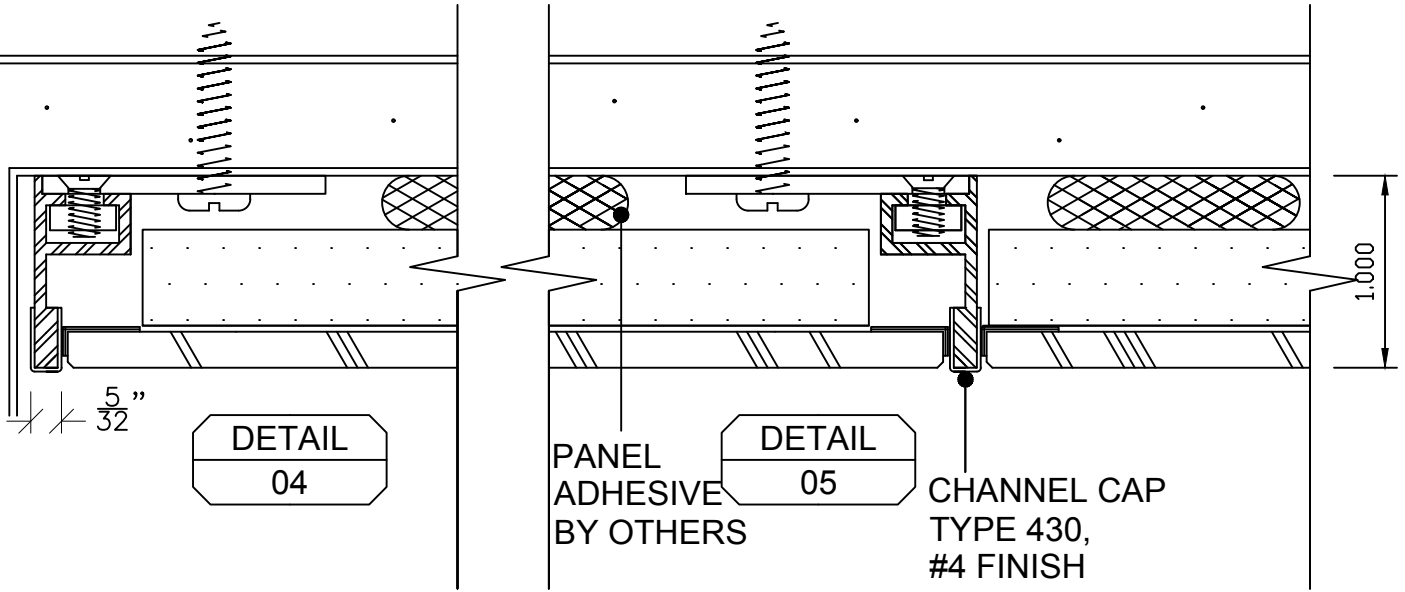
FULLER PHOENIX ARCHITECTURAL PRODUCTS

713.699.2262

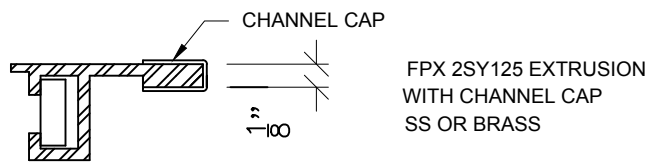
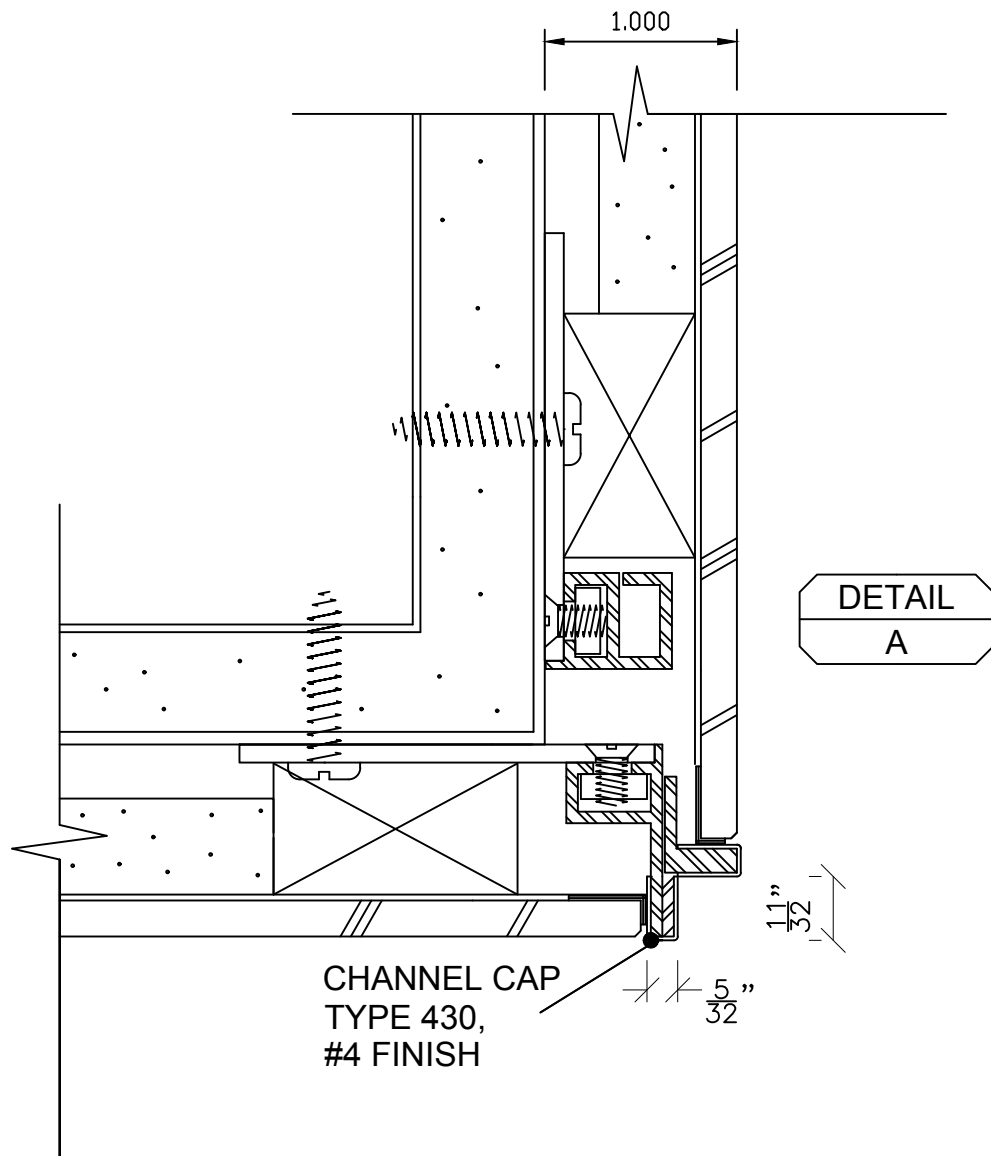
www.fullerphoenix.com



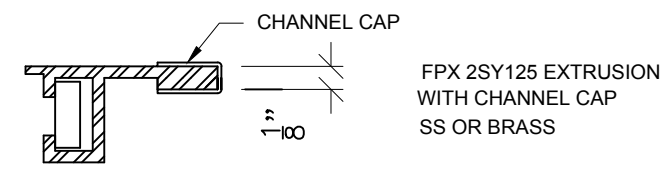
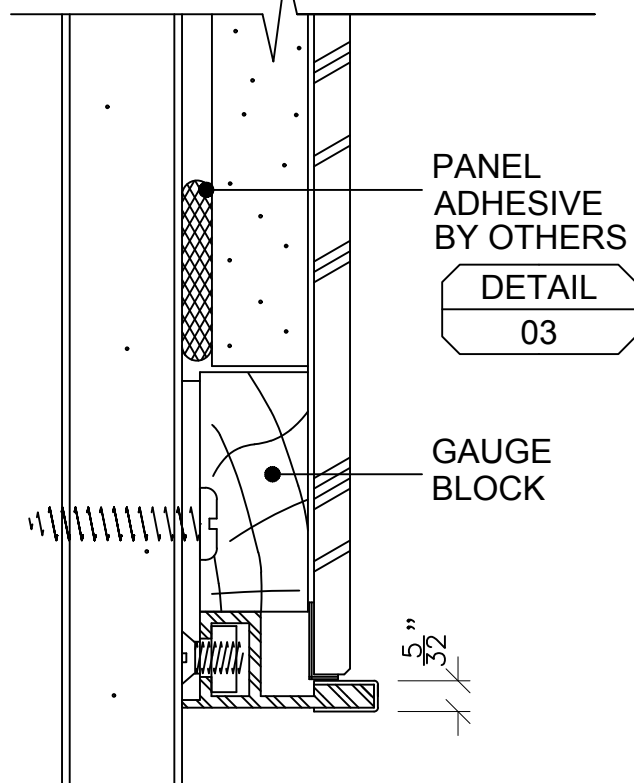
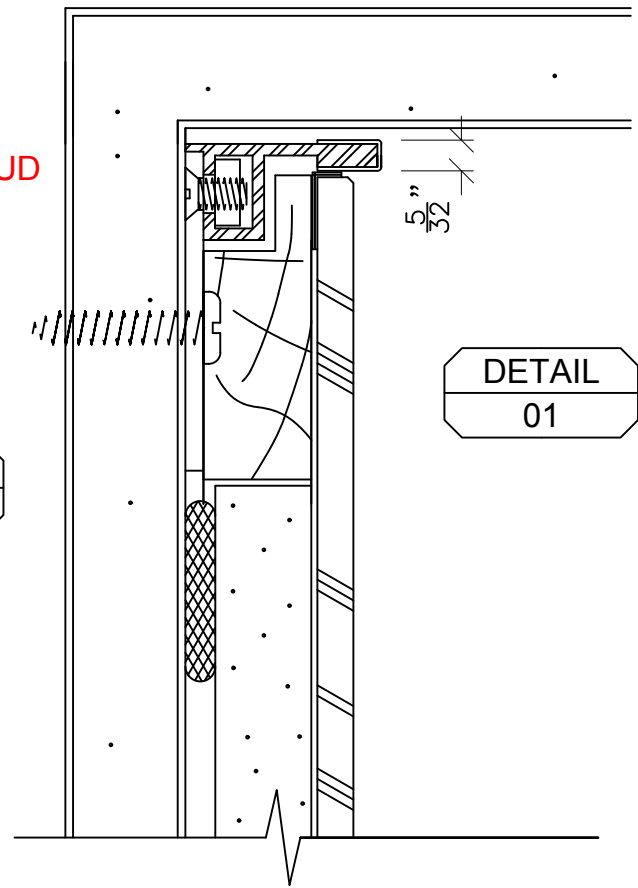
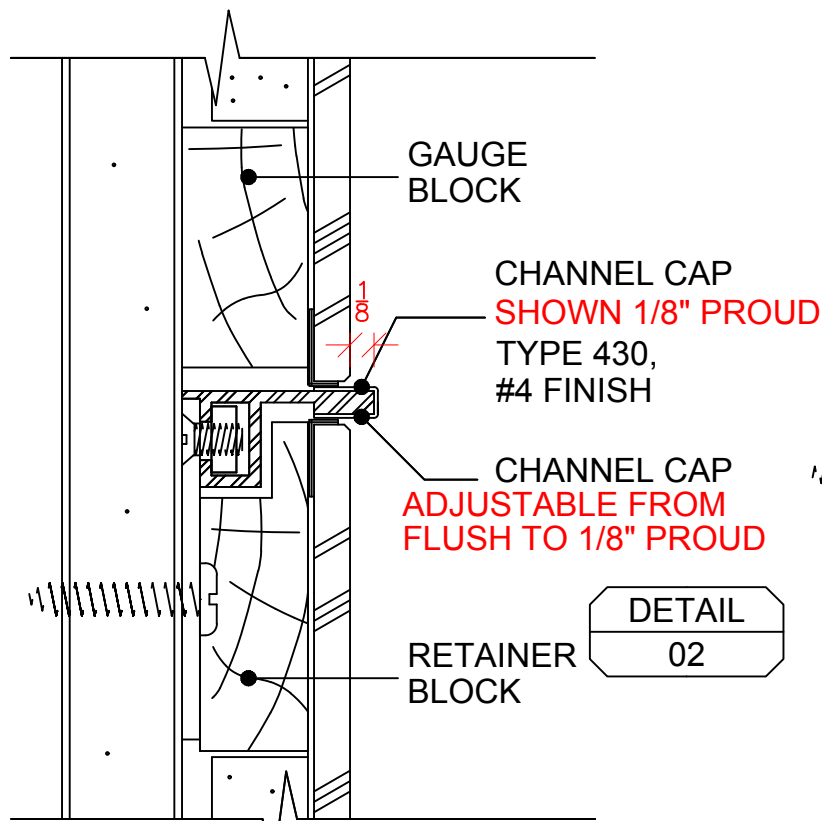
**SYSTEM II SERIES 125
FPX 1/8" - 5/32" PROFILE
EXTRUSIONS FULL SIZE**



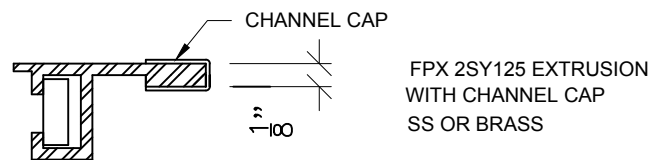
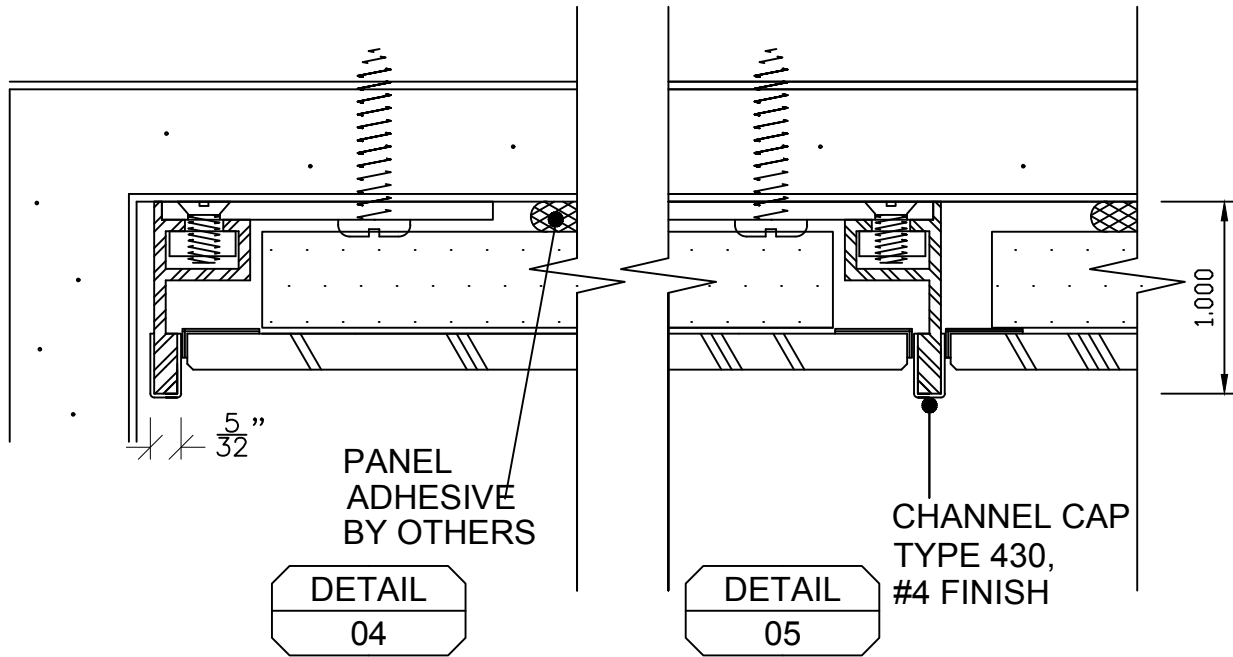
SYSTEM II SERIES 125
FPX 1/8" - 5/32" PROFILE
EXTRUSIONS FULL SIZE



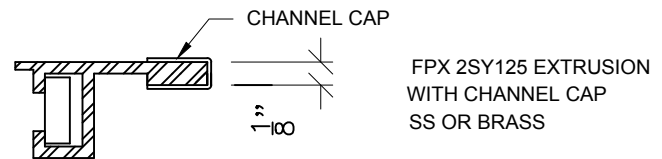
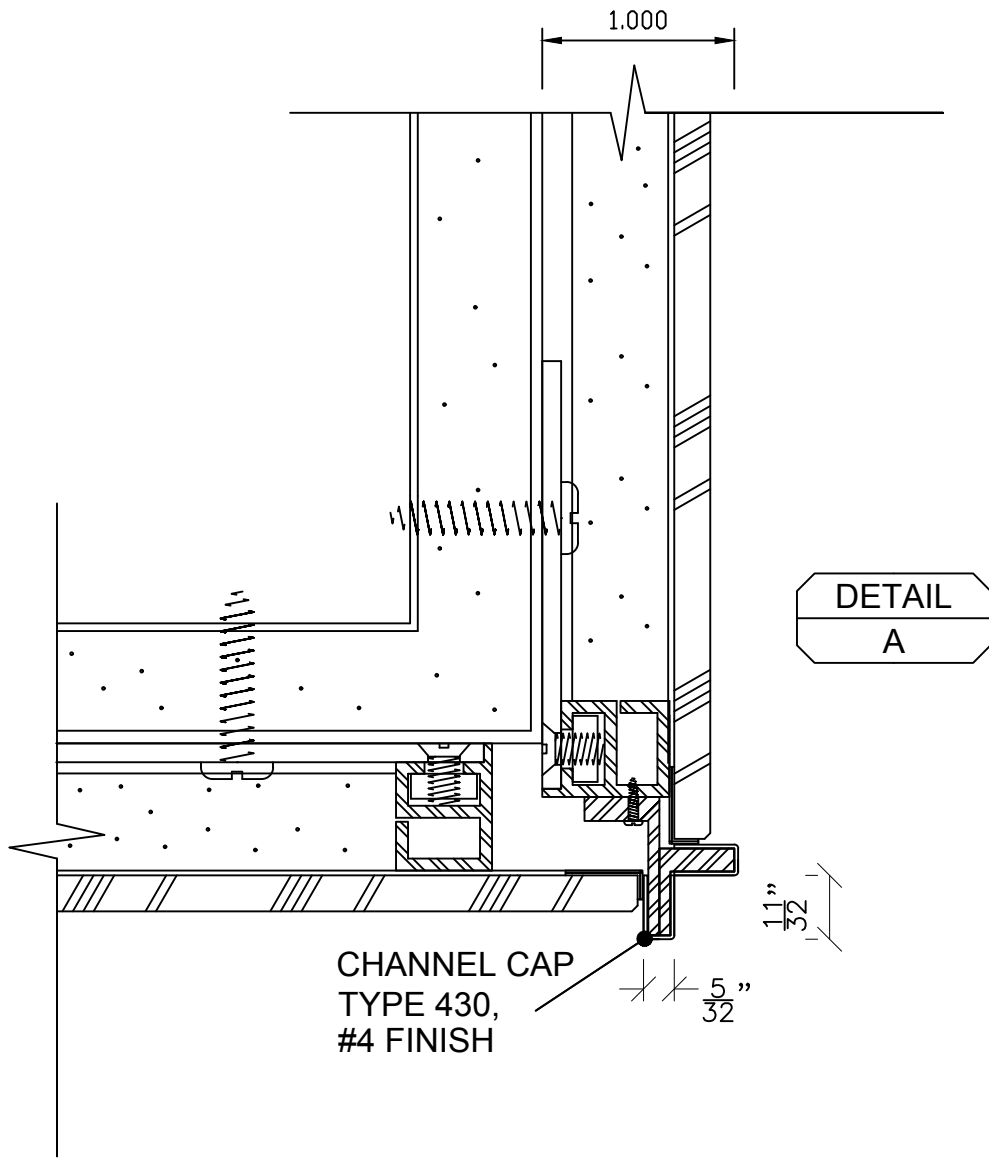
**SYSTEM II SERIES 125
 FPX 1/8" - 5/32" PROFILE
 EXTRUSIONS FULL SIZE**



SYSTEM II SERIES 125-EX
FPX 1/8" - 5/32" PROFILE
EXTRUSIONS FULL SIZE



**SYSTEM II SERIES 125-EX
FPX 1/8" - 5/32" PROFILE
EXTRUSIONS FULL SIZE**



SYSTEM II SERIES 125-EX
FPX 1/8" - 5/32" PROFILE
EXTRUSIONS FULL SIZE