

NOT TO SCALE

FINISHES:

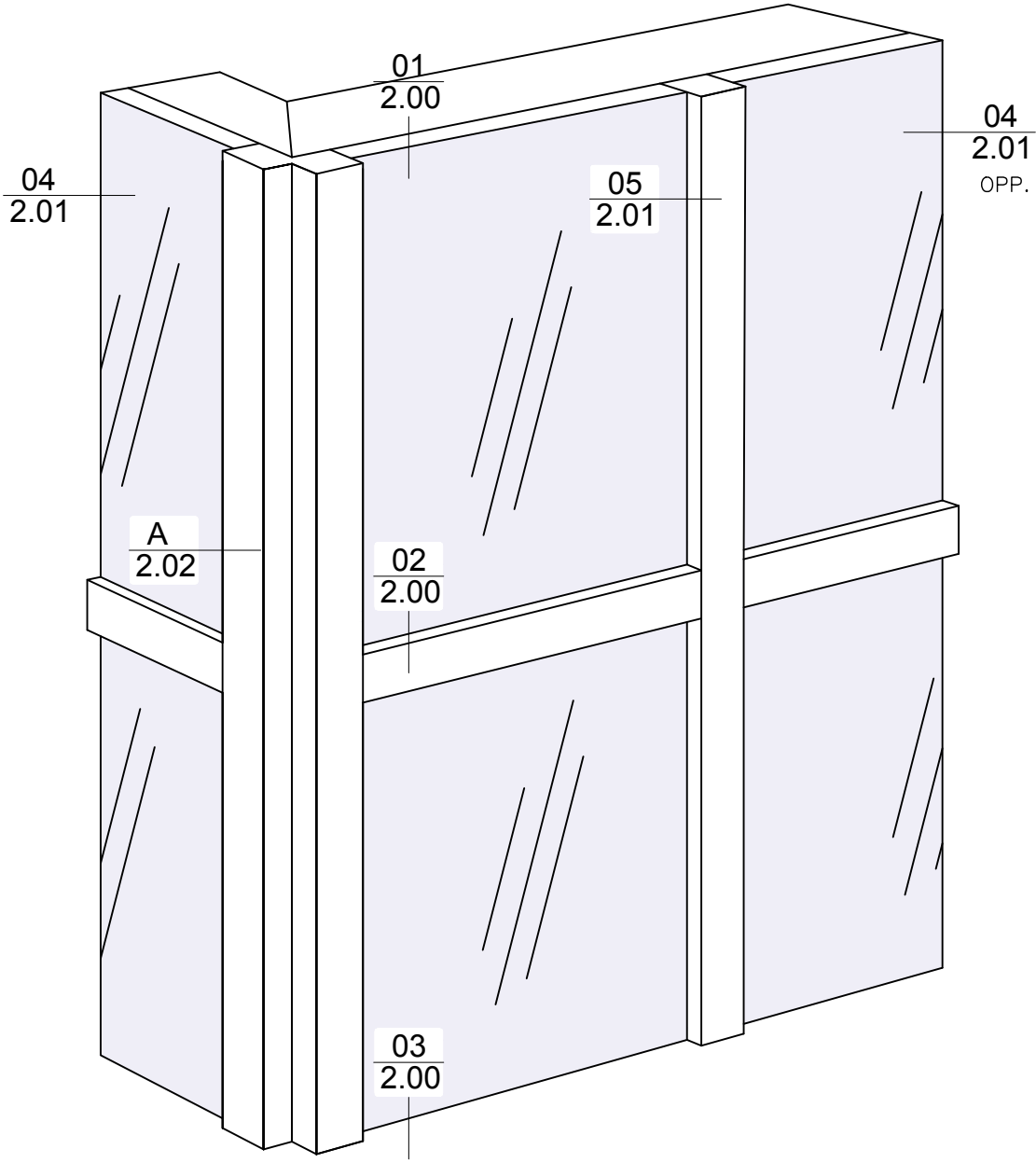
ST. STL. - #4 SATIN
SPECIAL - CONTACT FACTORY

SYSTEM II
SERIES-1000
FLUSH

FULLER PHOENIX ARCHITECTURAL PRODUCTS

713.699.2262

www.fullerphoenix.com



NOT TO SCALE

FINISHES:

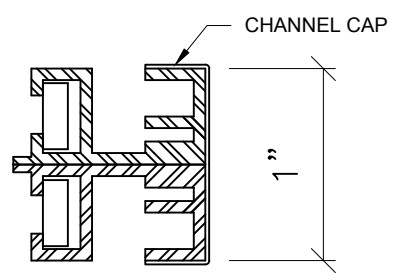
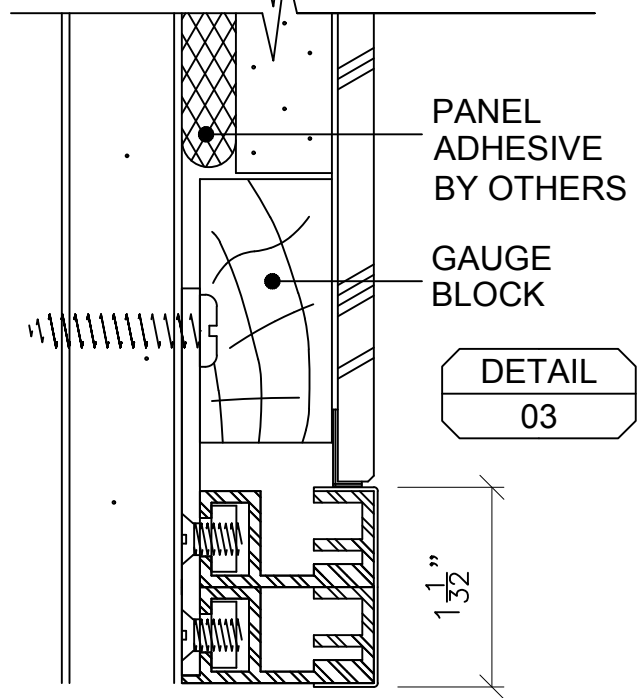
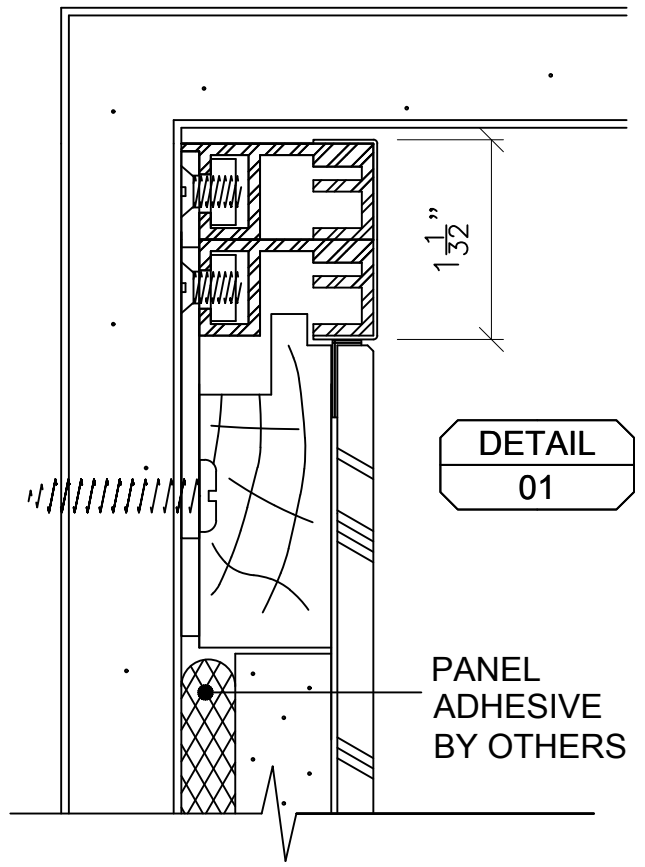
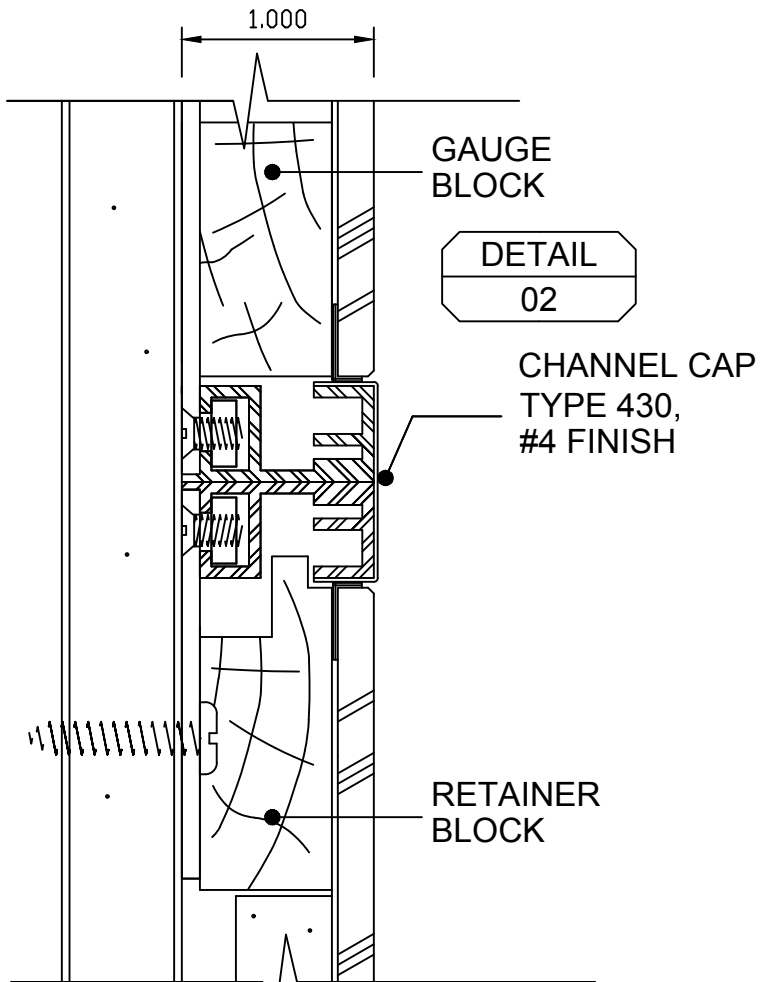
ST. STL. - #4 SATIN
SPECIAL - CONTACT FACTORY

SYSTEM II SERIES-1000-EX EXTENDED

FULLER PHOENIX ARCHITECTURAL PRODUCTS

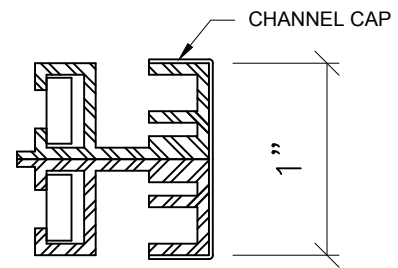
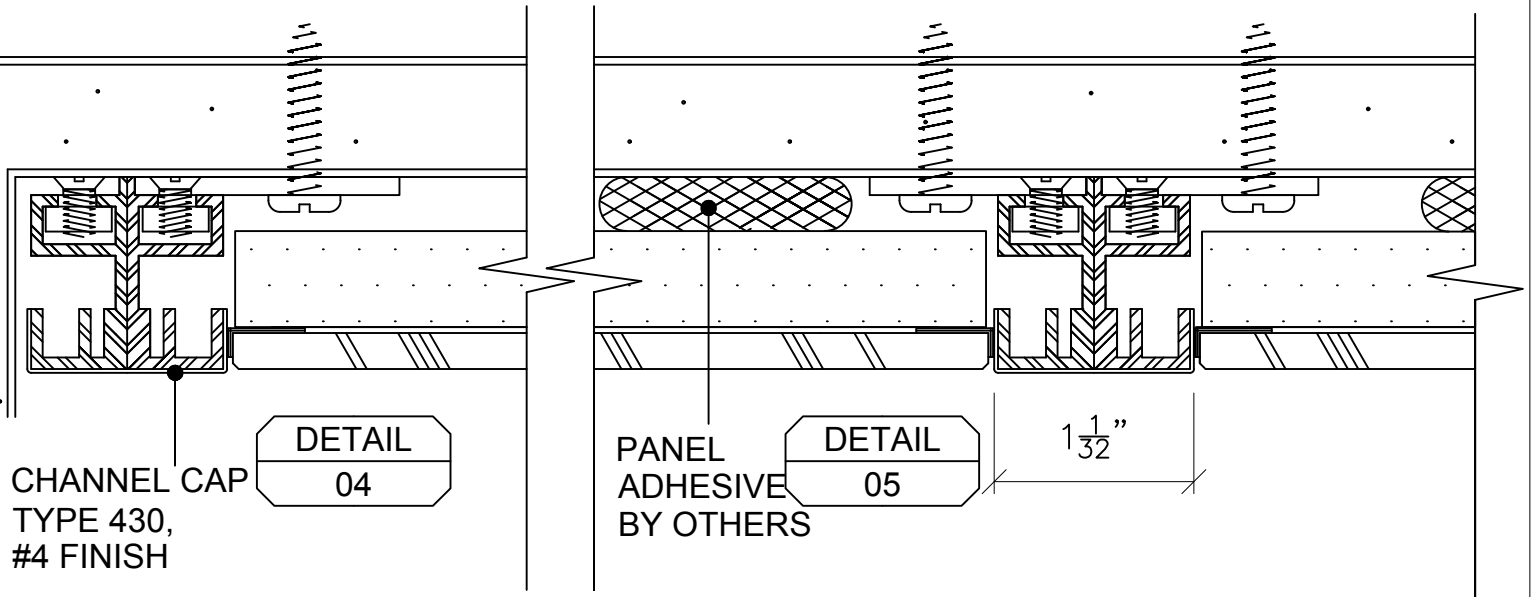
713.699.2262

www.fullerphoenix.com



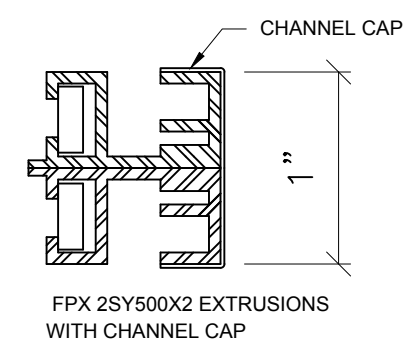
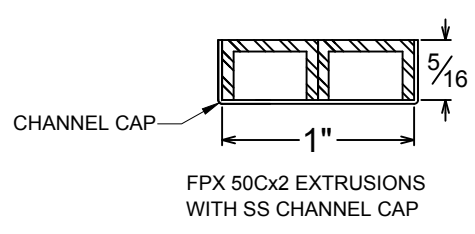
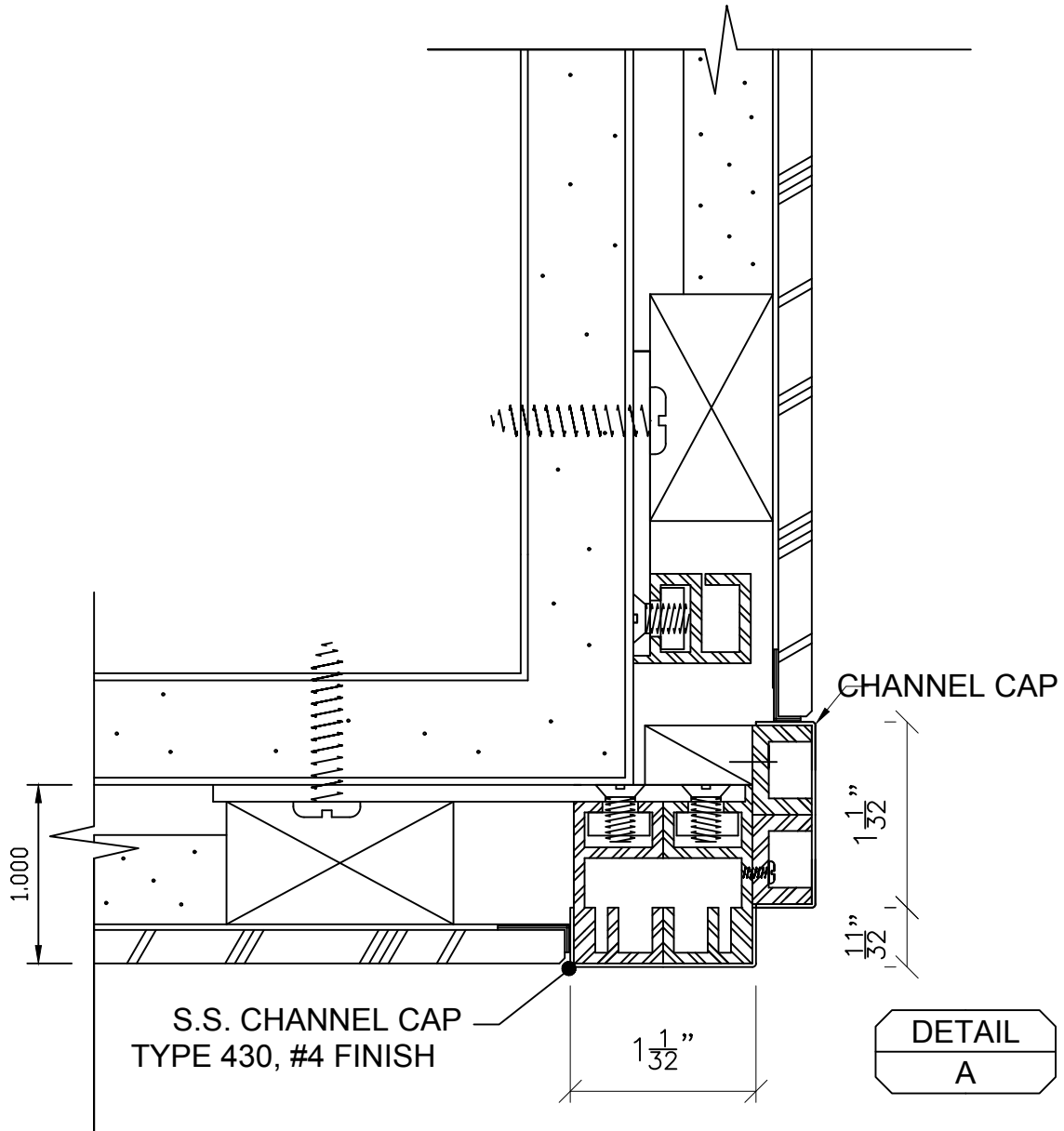
FPX 2SY500X2 EXTRUSIONS WITH CHANNEL CAP

SYSTEM II SERIES 1000
FPX 1" - 1 1/32" PROFILE
EXTRUSIONS FULL SIZE

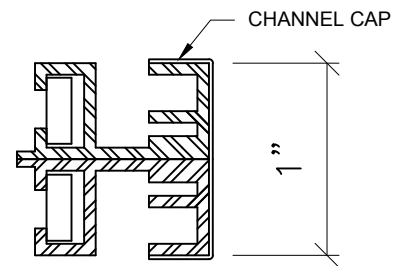
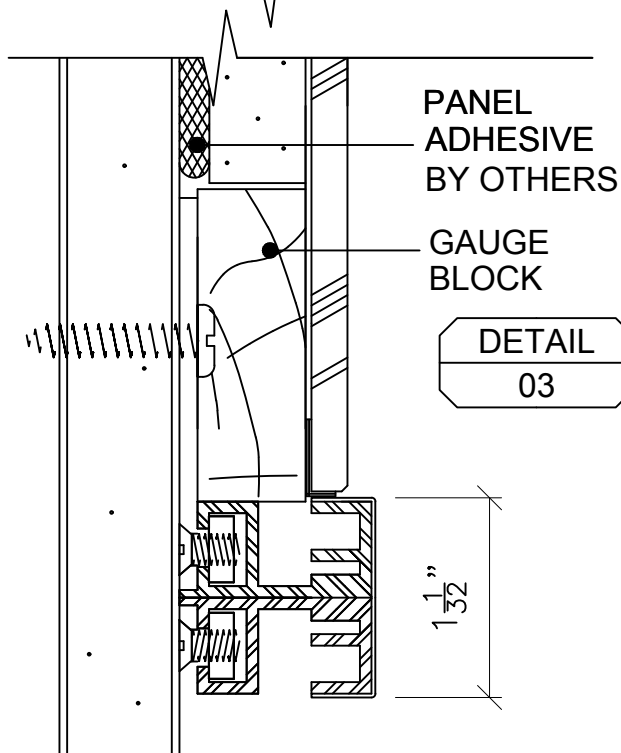
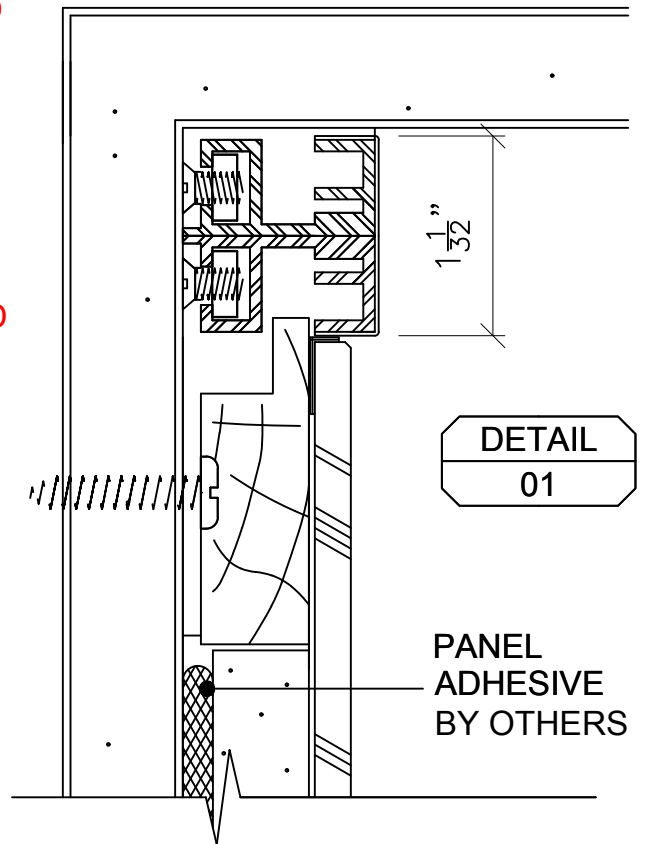
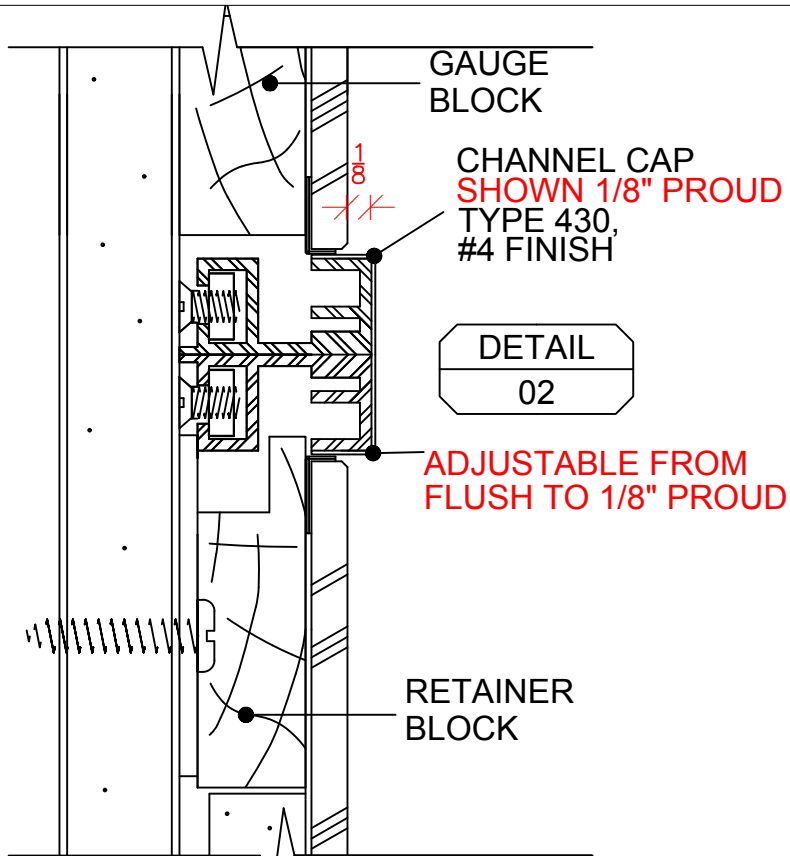


FPX 2SY500X2 EXTRUSIONS
WITH CHANNEL CAP

SYSTEM II SERIES 1000
FPX 1" - 1 1/32" PROFILE
EXTRUSIONS FULL SIZE

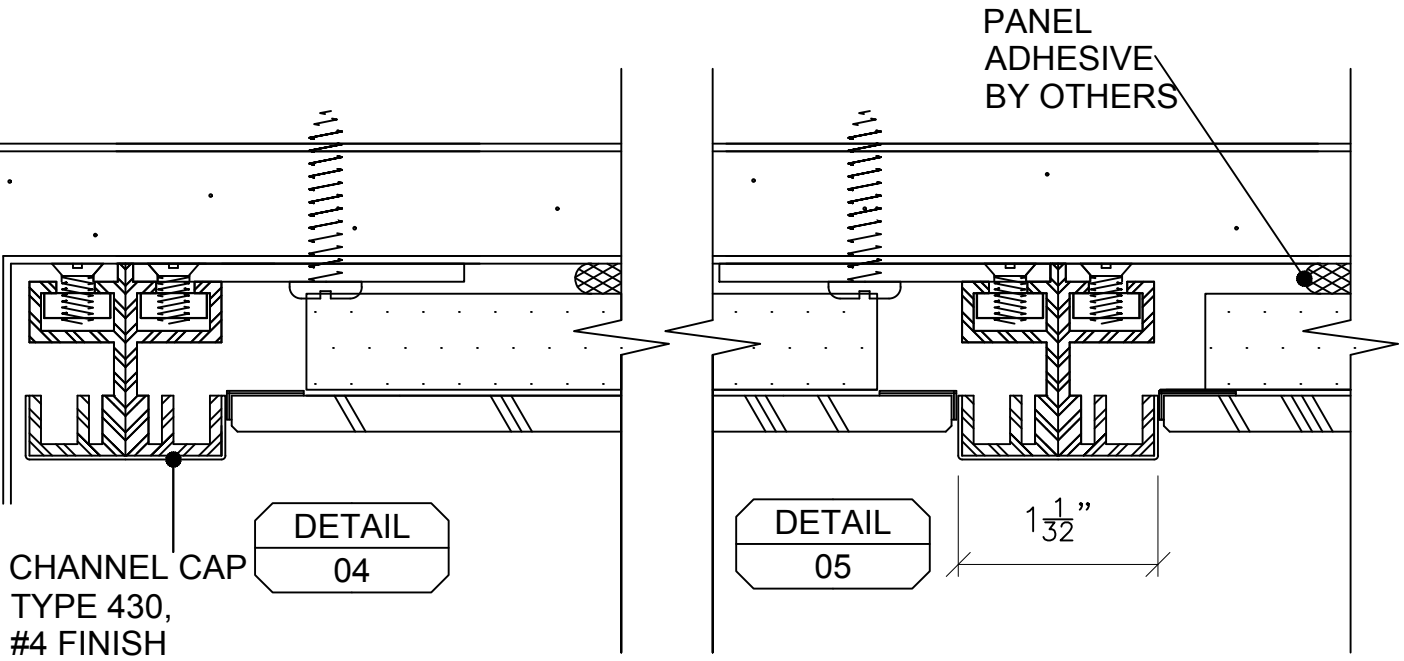


SYSTEM II SERIES 1000
FPX 1" - 1 1/32" PROFILE
EXTRUSIONS FULL SIZE



FPX 2SY500X2 EXTRUSIONS
WITH CHANNEL CAP

SYSTEM II SERIES 1000-EX
FPX 1" - 1 1/32" PROFILE
EXTRUSIONS FULL SIZE



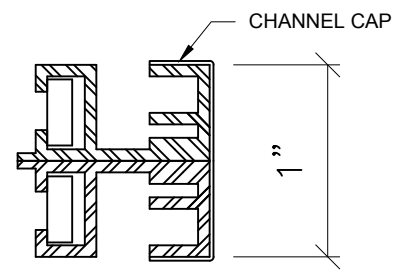
PANEL
ADHESIVE
BY OTHERS

CHANNEL CAP
TYPE 430,
#4 FINISH

DETAIL
04

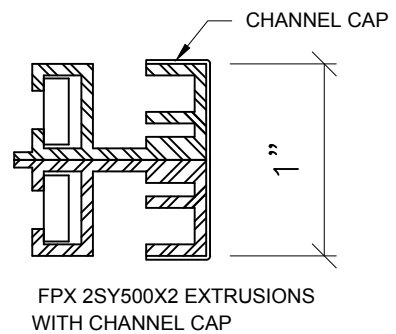
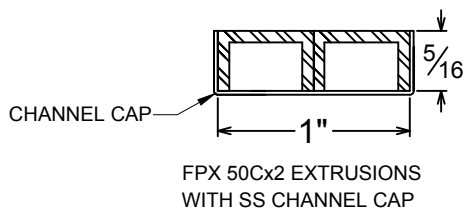
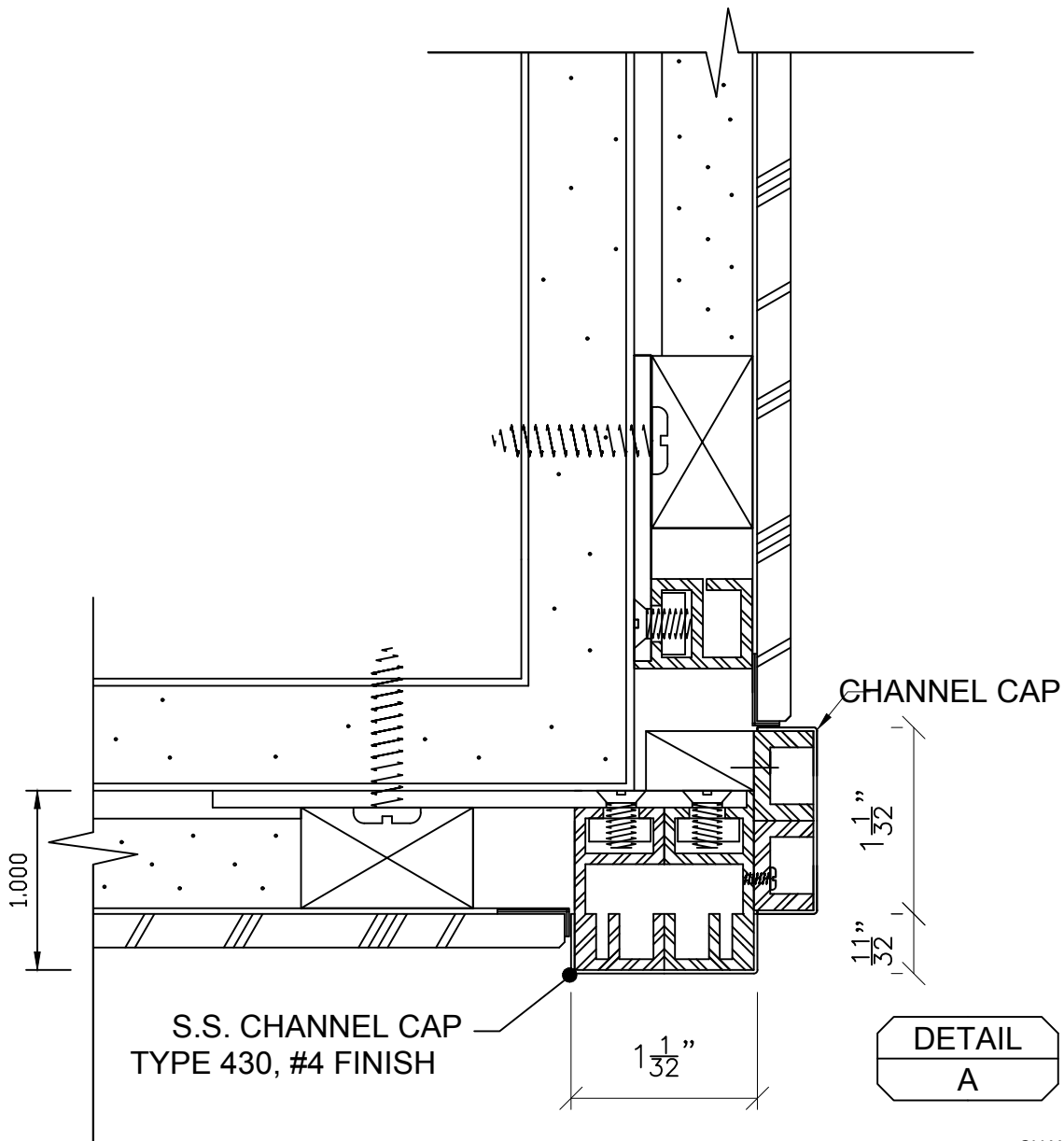
DETAIL
05

1 1/32"



FPX 2SY500X2 EXTRUSIONS
WITH CHANNEL CAP

SYSTEM II SERIES 1000-EX
FPX 1" - 1 1/32" PROFILE
EXTRUSIONS FULL SIZE



SYSTEM II SERIES 1000-EX
 FPX 1" - $1\frac{1}{32}$ " PROFILE
 EXTRUSIONS FULL SIZE