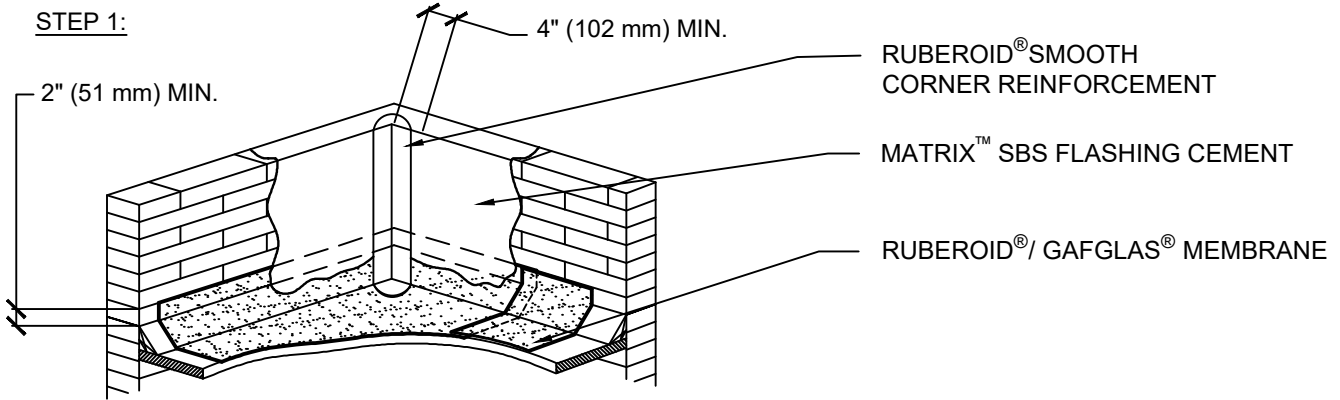
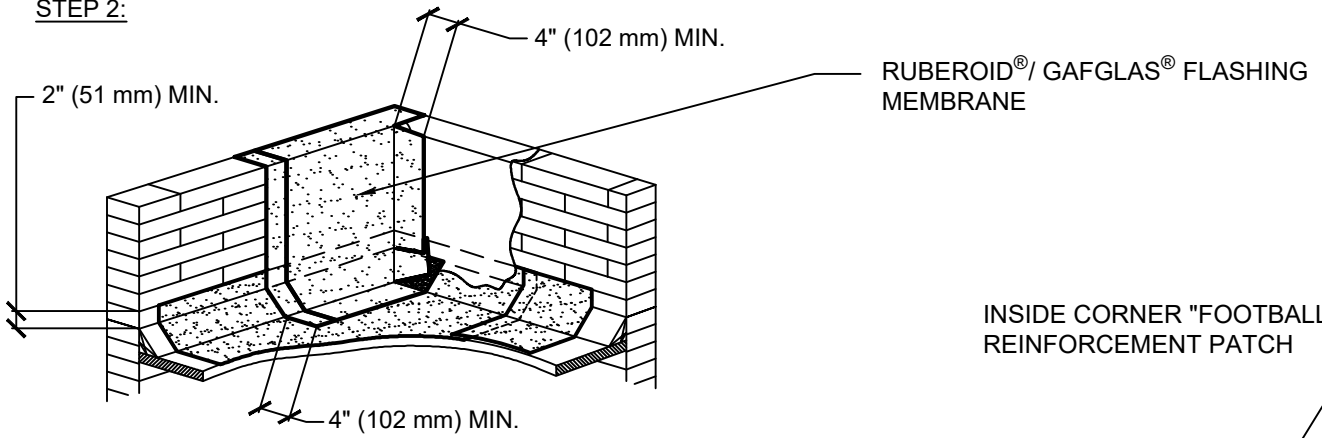


# ASPHALTIC

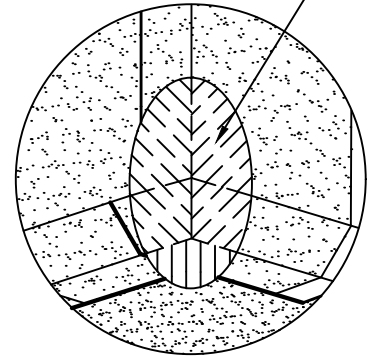
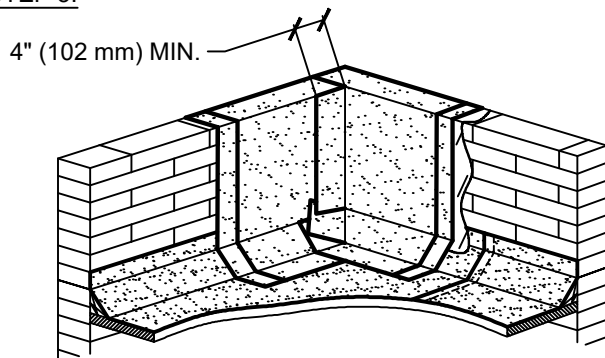
## STEP 1:



## STEP 2:



## STEP 3:



**GAF**

### INSIDE CORNER DETAIL

DRAWING #  
**315**

ISSUE / REVISION DATE

2/20/20

SCALE

N.T.S.

LEGEND