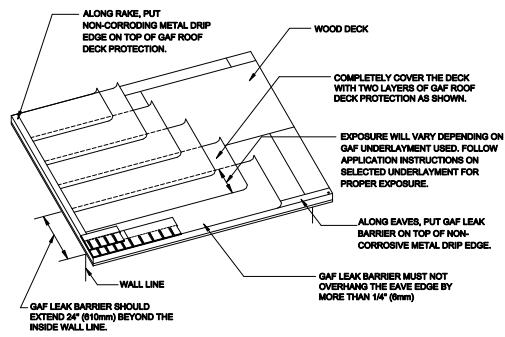



\*\*\*HIDDEN NOTES TO DRAFTSMAN\*\*\*  
 1.) SELECT LOW SLOPE OR STEEP SLOPE APPLICATION BY LAYER.  
 3.) HIDDEN NOTES WILL NOT PRINT OR PLOT.



NOTE:  
 1. AT EAVES AND WHERE ICE DAMS CAN BE EXPECTED, USE ONE LAYER OF GAF LEAK BARRIER.

 <small>www.gaf.com        1-877-454-7545        Wayne, NJ 07092</small>	STEEP SLOPE SHINGLE SERIES	<b>UNDERLAYMENT LAYOUT</b> FOR ROOF SLOPES 2:12 TO LESS THAN 4:12	DRAWING # <b>105</b>	SYSTEM <b>SHINGLES</b>
	GAF FIBERGLASS - ASPHALT COMPOSITE SHINGLES	SCALE N.T.S.	NUMBER/REVISION/DATE 8-01-11	