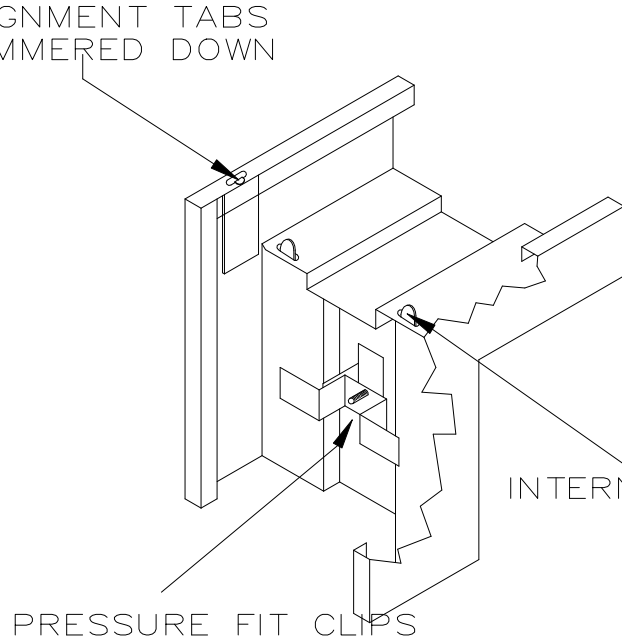
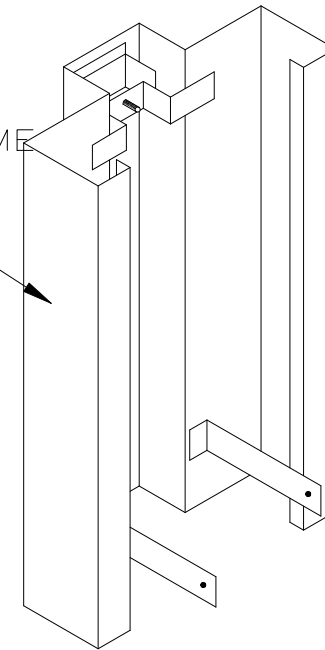


ALIGNMENT TABS  
HAMMERED DOWN



INTERNAL ALIGNMENT  
TABS

16GA. HM FRAME  
KNOCKDOWN



GALAXY METAL PRODUCTS LLC.

TYPICAL KNOCKDOWN FRAME WITH DETAILS

SCALE: NONE

JOB #: NONE