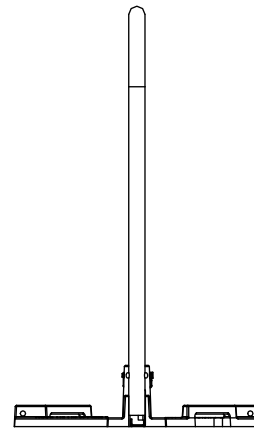
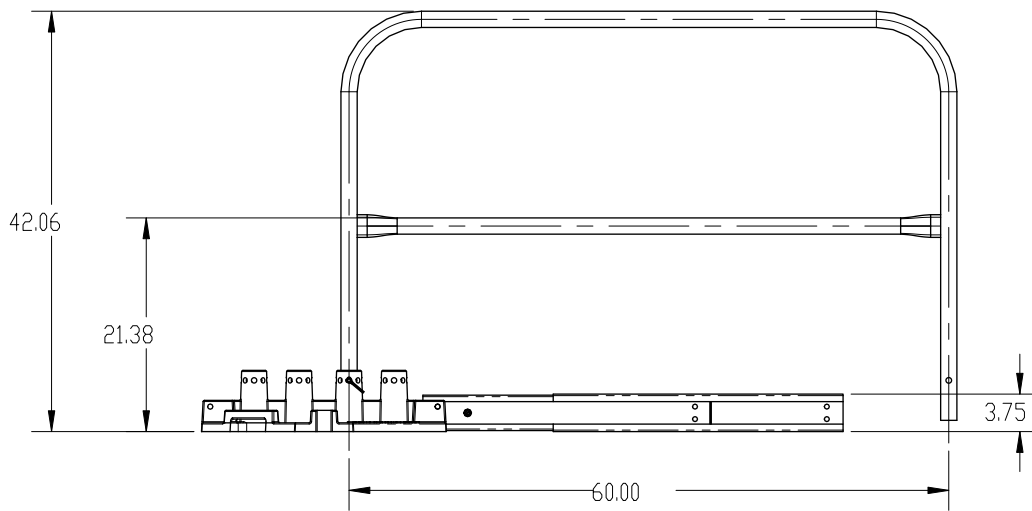
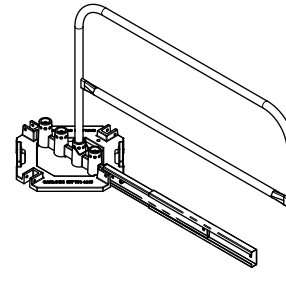
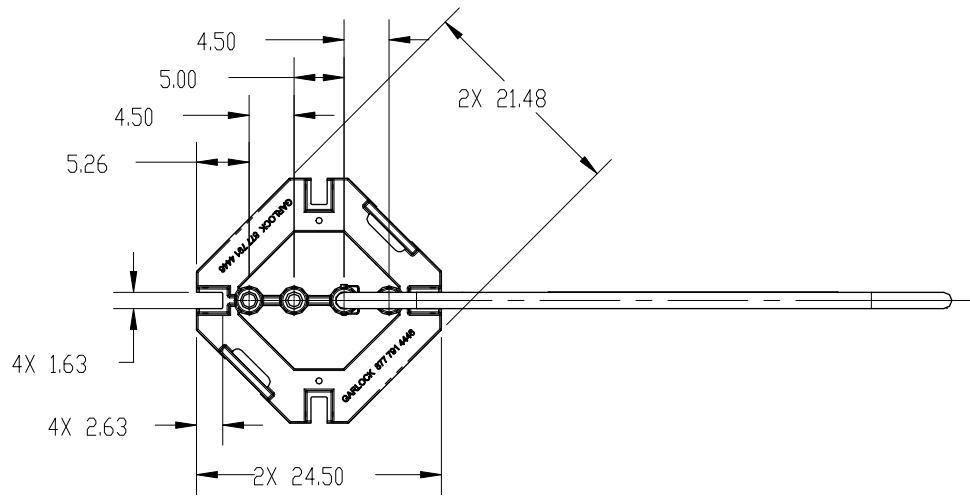


DRG. NO.

# 5 FT RAIL + TOEBOARD

REV.

1



REVISION BLOCK		DATE /#	MAT'L DESC.	FRONT R. SIDE		GARLOCK EQUIPMENT CO.	
L	DESCRIPTION OF REVISION			FRONT	R. SIDE	5 FT RAIL KIT W/TOEBOARD	
					TOLERANCES U.S.S. 0.00 ± 0.03 0.000 ± 0.005 ANGLE ± 0.50 °		DO NOT SCALE DRAWING
					SIZE A	THIS DOCUMENT CONTAINS CONFIDENTIAL, PROPRIETARY INFORMATION OF GARLOCK EQUIPMENT CO. AND IS NOT TO BE DISCLOSED TO OTHERS	
				DWN DATE SCJ 3/12/2014	SCALE 1:16		