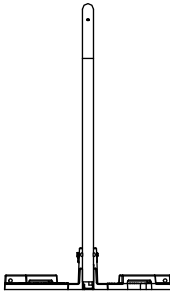
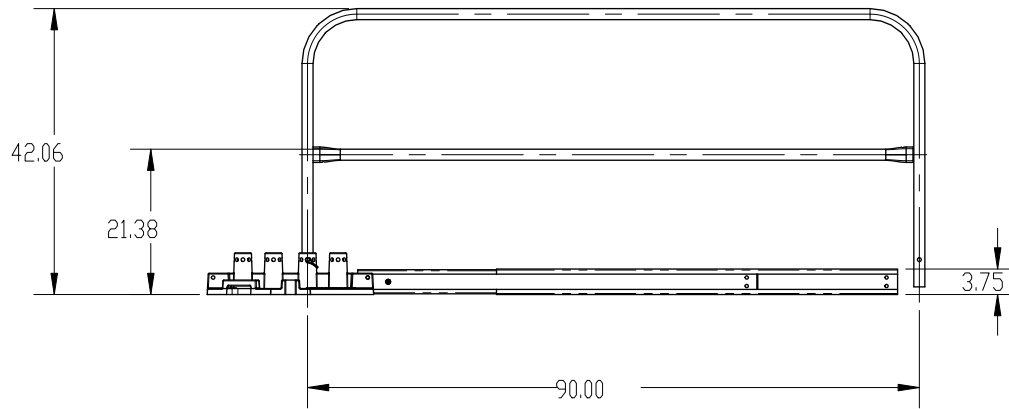
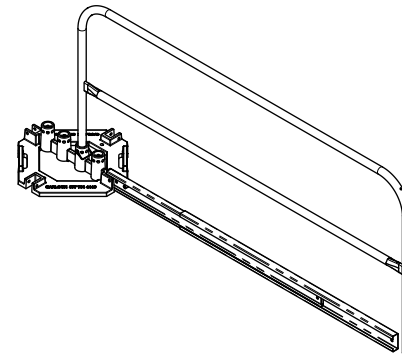
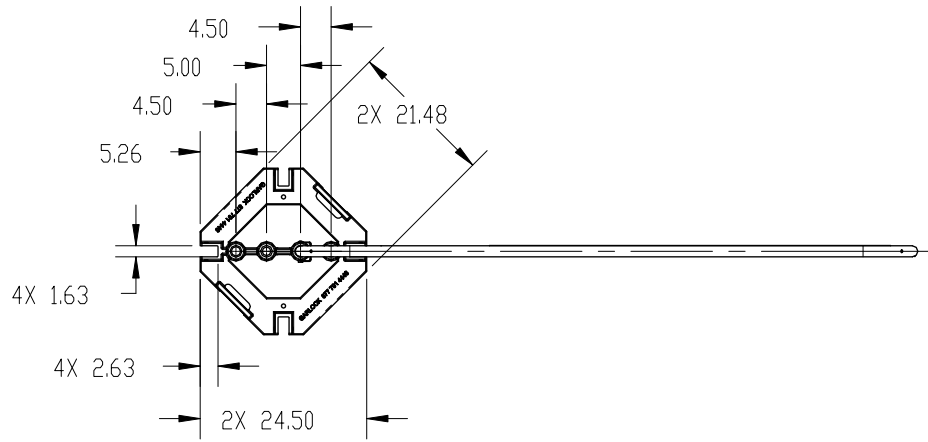


DRG. NO.

7.5 FT RAIL + TOEBOARD

REV.



REVISION BLOCK		DATE /#	MAT'L DESC.	FRONT R. SIDE		GARLOCK EQUIPMENT CO.	
L	DESCRIPTION OF REVISION			TOLERANCES U.S.S.		7.5 FT RAIL KIT W/TOEBOARD	
				0.00 ± 0.03	SCALE 1:24	DO NOT SCALE DRAWING	THIS DOCUMENT CONTAINS CONFIDENTIAL PROPRIETARY INFORMATION OF GARLOCK EQUIPMENT CO. AND IS NOT TO BE DISCLOSED TO OTHERS
				0.000 ± 0.005			
				ANGLE ± 0.50 °			
			MAT'L NO.				
			PART				
			WGT.				
			DWN.	DATE			
			SCJ	3/12/2014			