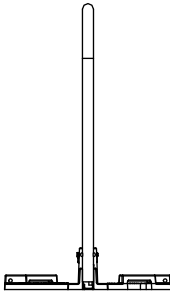
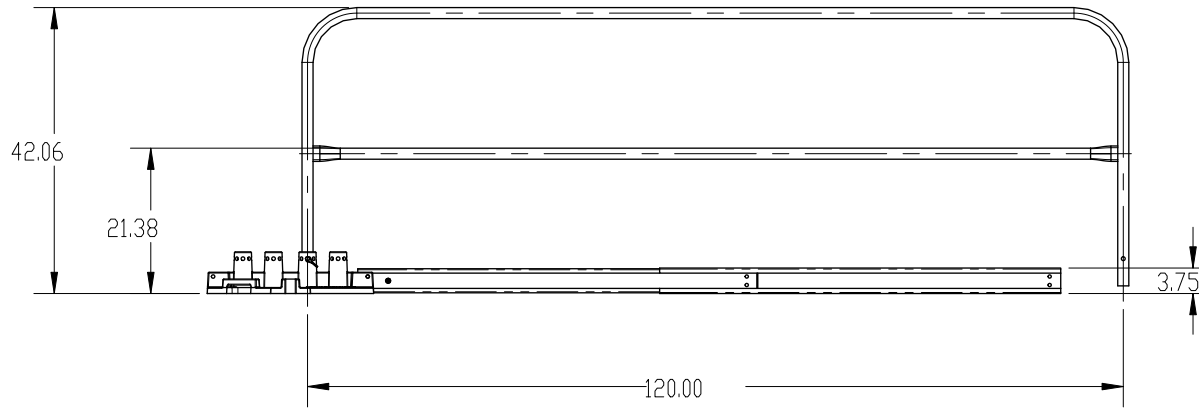
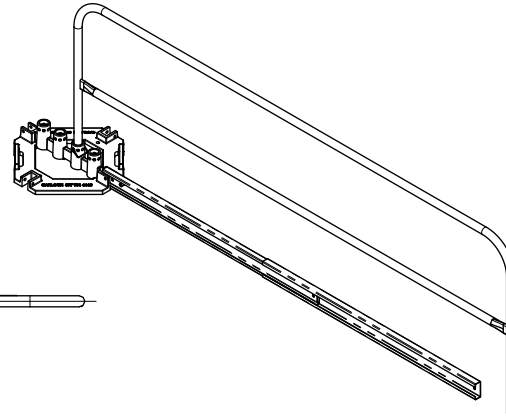
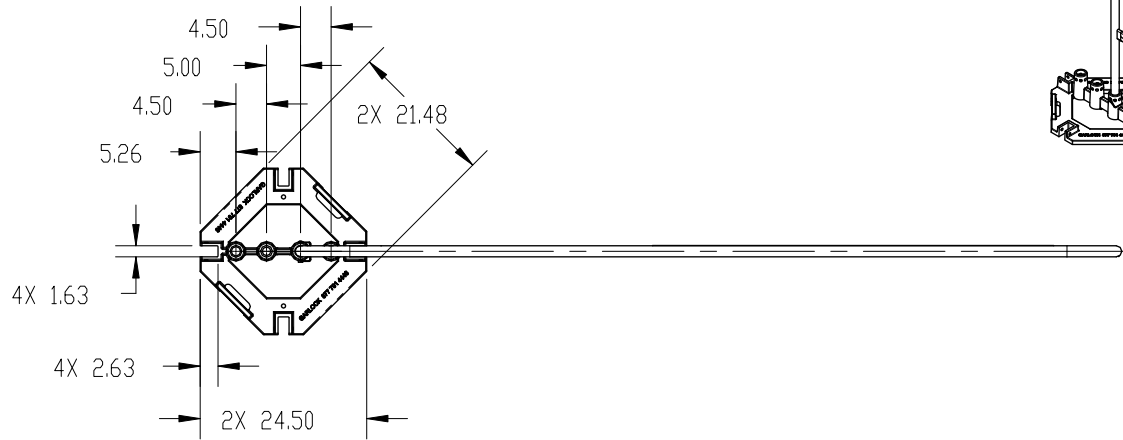


DRG. NO.

10 FT RAIL + TOEBOARD

REV.



REVISION BLOCK		DATE /#	MAT'L DESC.	FRONT R. SIDE		GARLOCK EQUIPMENT CO.	
L	DESCRIPTION OF REVISION			TOLERANCES U.S.		10 FT RAIL KIT W/TOEBOARD	
				0.00 ± 0.03	SCALE 1:24	DO NOT SCALE DRAWING	THIS DOCUMENT CONTAINS CONFIDENTIAL PROPRIETARY INFORMATION OF GARLOCK EQUIPMENT CO. AND IS NOT TO BE DISCLOSED TO OTHERS
				0.000 ± 0.005			
				ANGLE ± 0.50 °			
			MAT'L NO. PART WGT.	DWN. SCJ	DATE 3/12/2014		