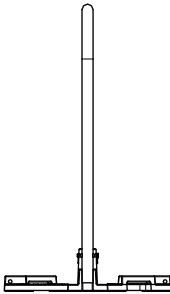
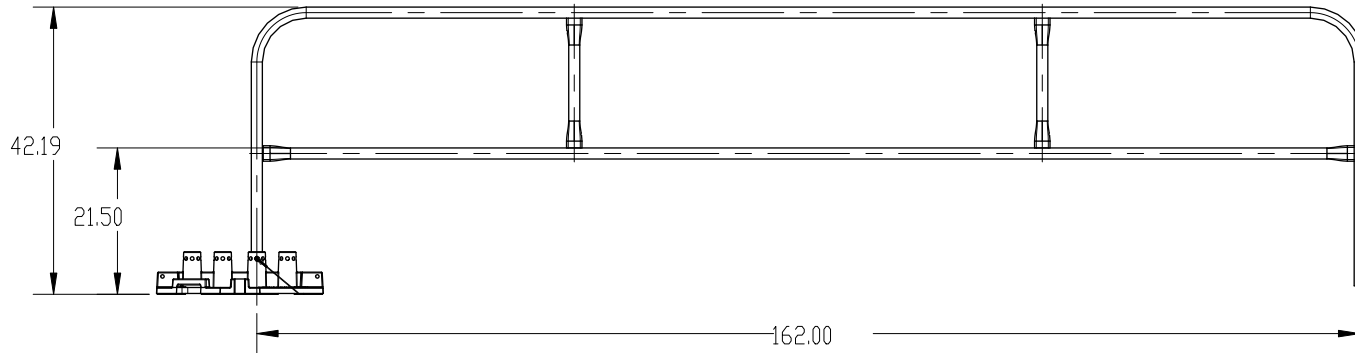
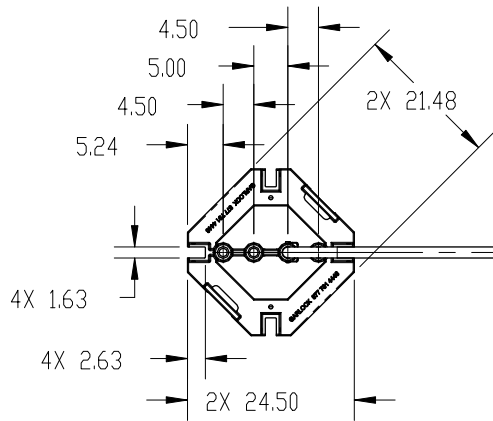
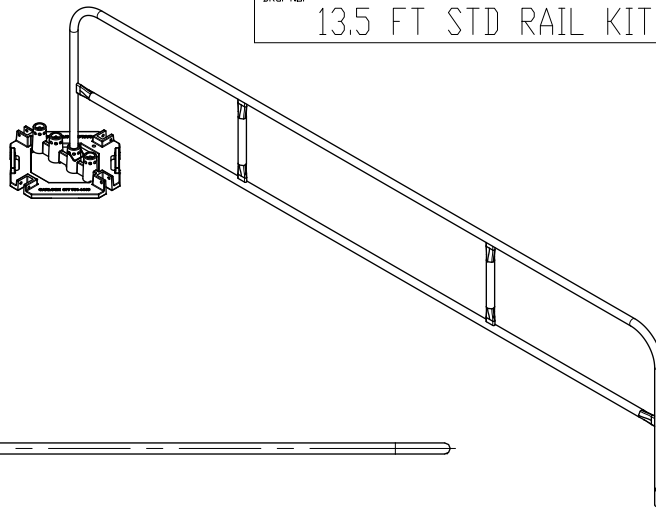


DRG. NO. 13.5 FT STD RAIL KIT REV.



REVISION BLOCK		DATE /#	MAT'L DESC.	FRONT R. SIDE		GARLOCK EQUIPMENT CO.	
L	DESCRIPTION OF REVISION			TOLERANCES U.D.S.		13.5 FT RAIL KIT W/PADS	
				0.00 ± 0.03	SIZE A	DO NOT SCALE DRAWING	THIS DOCUMENT CONTAINS CONFIDENTIAL PROPRIETARY INFORMATION OF GARLOCK EQUIPMENT CO. AND IS NOT TO BE DISCLOSED TO OTHERS
				0.000 ± 0.005			
				ANGLE ± 0.50 °	SCALE 1:24		
			MAT'L NO.	DWN. DATE			
			PART WGT.	SCJ 3/12/2014			