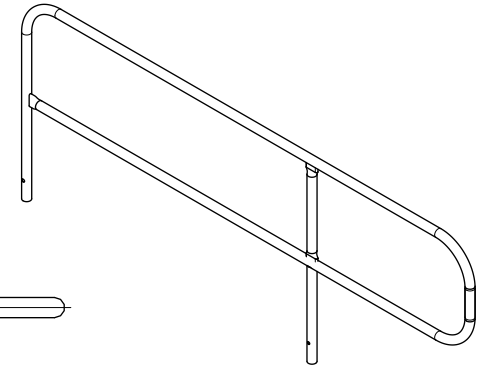
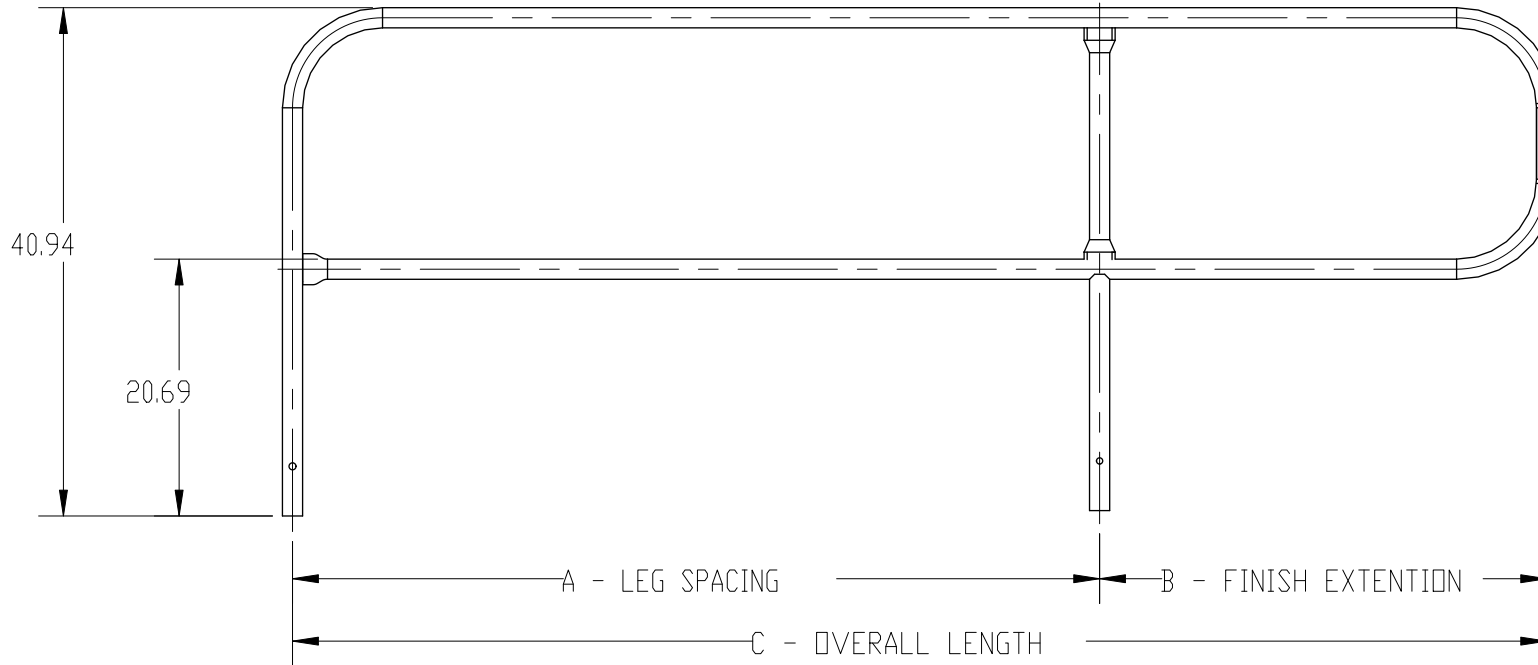


FINISH RAIL



∅ 1.63



REVISION BLOCK			MAT'L DESC.	FRONT R. SIDE		GARLOCK EQUIPMENT CO.	
L	DESCRIPTION OF REVISION	DATE /#		TOLERANCES U.D.S.		FINISH RAIL	
			MAT'L	0.00 ± 0.03	SIZE	DO NOT SCALE DRAWING	THIS DOCUMENT CONTAINS CONFIDENTIAL PROPRIETARY INFORMATION OF GARLOCK EQUIPMENT CO. AND IS NOT TO BE DISCLOSED TO OTHERS
			ND.	0.000 ± 0.005	A		
			PART	ANGLE ± 0.50 °	SCALE		
			WGT.		1:16		
			DWN.	DATE			
			SCJ	03/12/14			