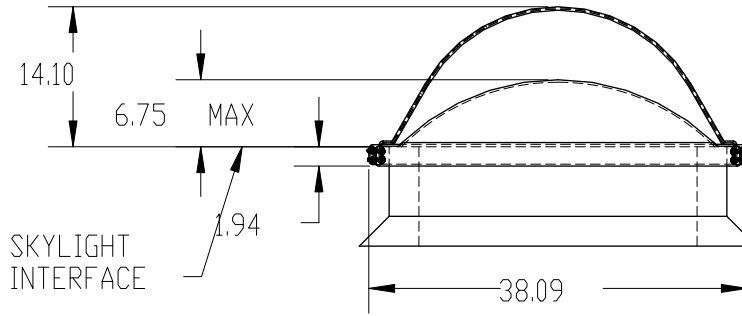
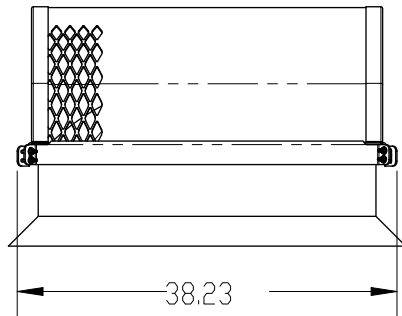


SKYLIGHT OUTSIDE DIMENSION RANGE



SKYLIGHT INTERFACE

REVISION BLOCK			MAT'L DESC.			GARLOCK EQUIPMENT CO.		
L	DESCRIPTION OF REVISION	DATE /#		FRONT	R. SIDE	36 X 36 SCREENGUARD		
					TOLERANCES U.D.S. 0.00 ± 0.03 0.000 ± 0.005 ANGLE ± 0.50 °	SIZE A	DO NOT SCALE DRAWING	THIS DOCUMENT CONTAINS CONFIDENTIAL PROPRIETARY INFORMATION OF GARLOCK EQUIPMENT CO. AND IS NOT TO BE DISCLOSED TO OTHERS
			MAT'L NO. PART WGT.	DWN. SCJ DATE 04/11/14	SCALE 1:20			