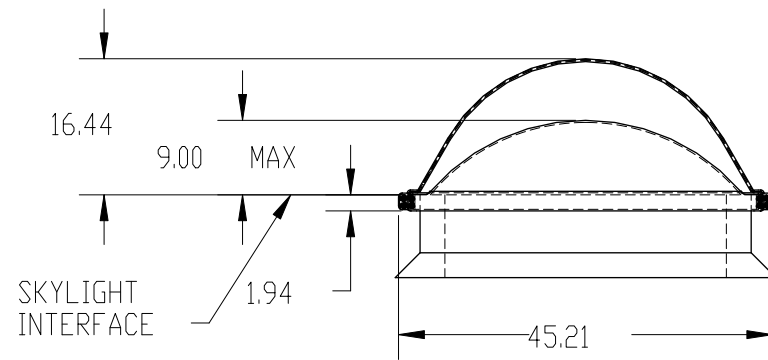
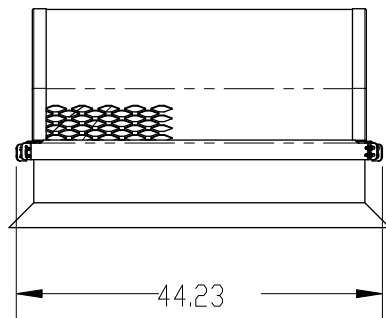
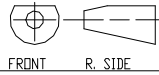


SKYLIGHT OUTSIDE DIMENSION RANGE



REVISION BLOCK			MAT'L DESC.			GARLOCK EQUIPMENT CO.	
L	DESCRIPTION OF REVISION	DATE /#		FRONT	R. SIDE	42 X 42 SCREENGUARD	
					TOLERANCES U.D.S. 0.00 ± 0.03 0.000 ± 0.005 ANGLE ± 0.50 °	SIZE $\Delta$	DO NOT SCALE DRAWING
			MAT'L NO. PART WGT.	DWG. SCJ DATE 04/11/14	SCALE 1:24	THIS DOCUMENT CONTAINS CONFIDENTIAL PROPRIETARY INFORMATION OF GARLOCK EQUIPMENT CO. AND IS NOT TO BE DISCLOSED TO OTHERS	