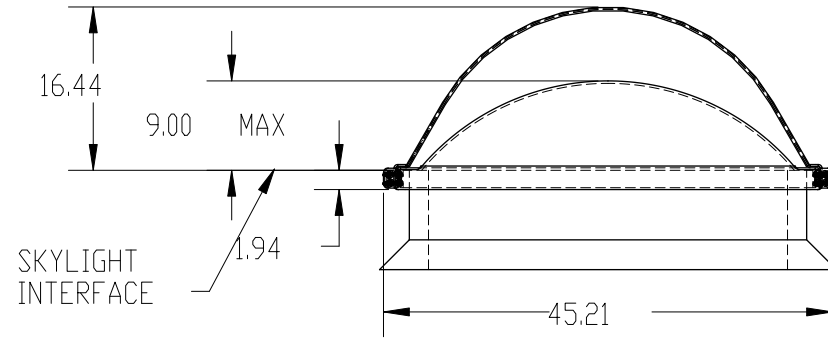
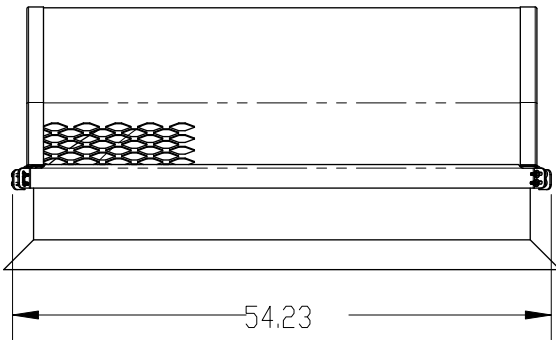
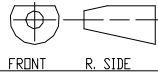
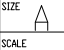


SKYLIGHT OUTSIDE DIMENSION RANGE



REVISION BLOCK			MAT'L DESC.			GARLOCK EQUIPMENT CO.		
L	DESCRIPTION OF REVISION	DATE /#		FRONT	R. SIDE	36 X 36 SCREENGUARD		
					TOLERANCES U.D.S. 0.00 ± 0.03 0.000 ± 0.005 ANGLE ± 0.50 °	SIZE 	DO NOT SCALE DRAWING	THIS DOCUMENT CONTAINS CONFIDENTIAL PROPRIETARY INFORMATION OF GARLOCK EQUIPMENT CO. AND IS NOT TO BE DISCLOSED TO OTHERS
			MAT'L NO. PART WGT.	DWG. DATE SCJ 04/11/14	SCALE 1:20			