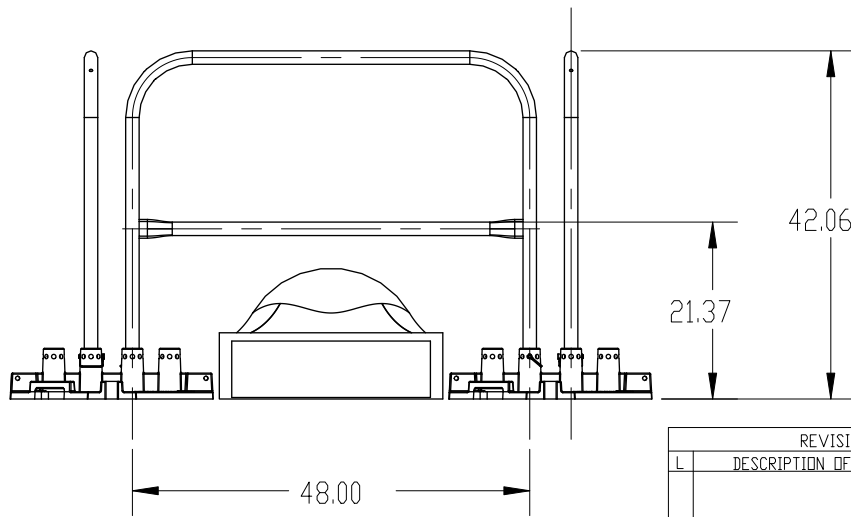
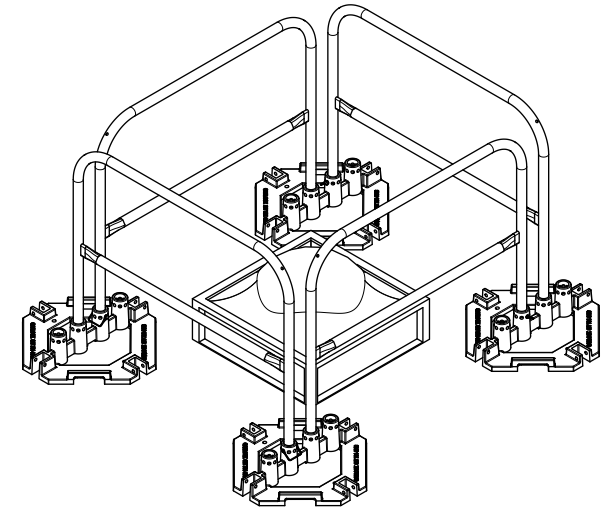
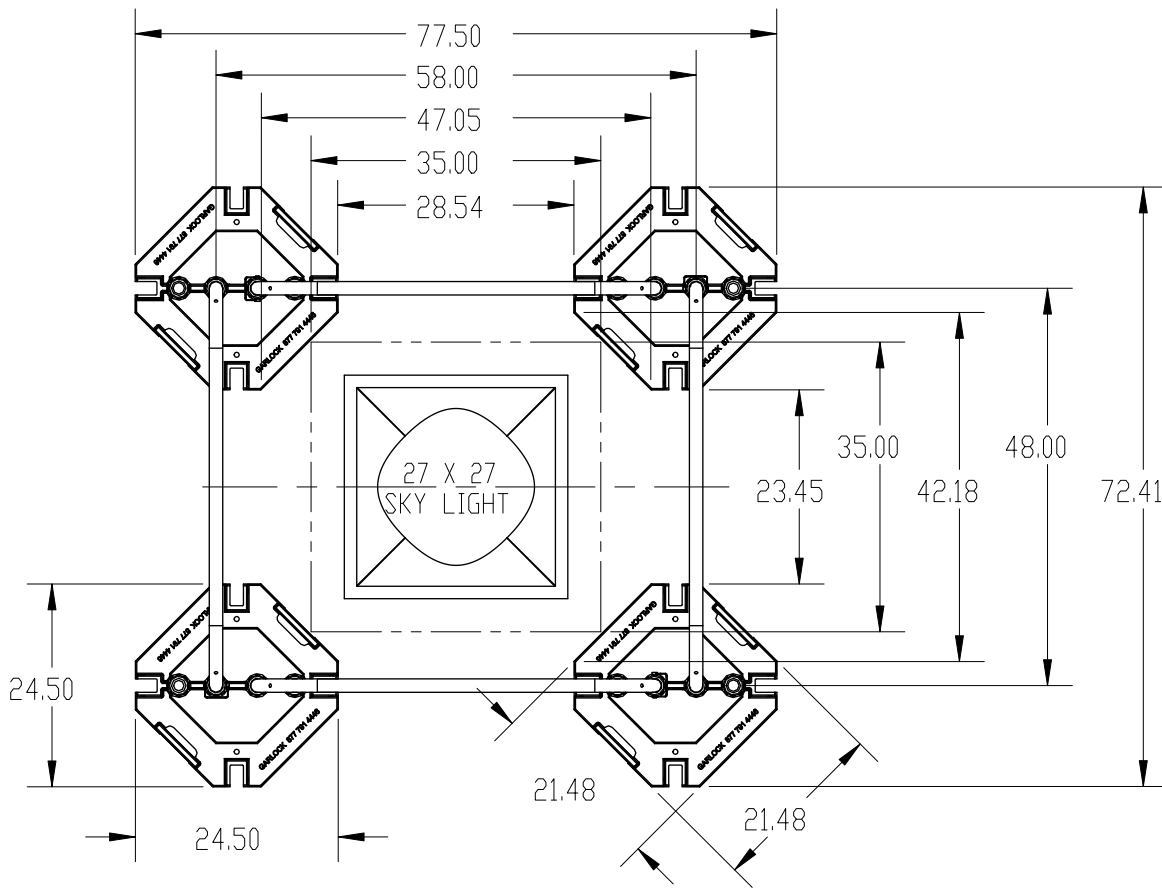


DRG. NO.

48 X 48 SKY LIGHT KIT

REV.



REVISION BLOCK		MAT'L DESC.	FRONT R. SIDE		GARLOCK EQUIPMENT CO.	
L	DESCRIPTION OF REVISION		DATE /#		48 X 48 SKY LIGHT KIT	
				TOLERANCES U.D.S. 0.00 ± 0.03 0.000 ± 0.005 ANGLE ± 0.50 °		SIZE A
		MAT'L		DWN.	DATE	SCALE
		NO.		SCJ	02/13/13	1:24
		PART				DO NOT SCALE DRAWING
		WGT.				THIS DOCUMENT CONTAINS CONFIDENTIAL, PROPRIETARY INFORMATION OF GARLOCK EQUIPMENT CO. AND IS NOT TO BE DISCLOSED TO OTHERS