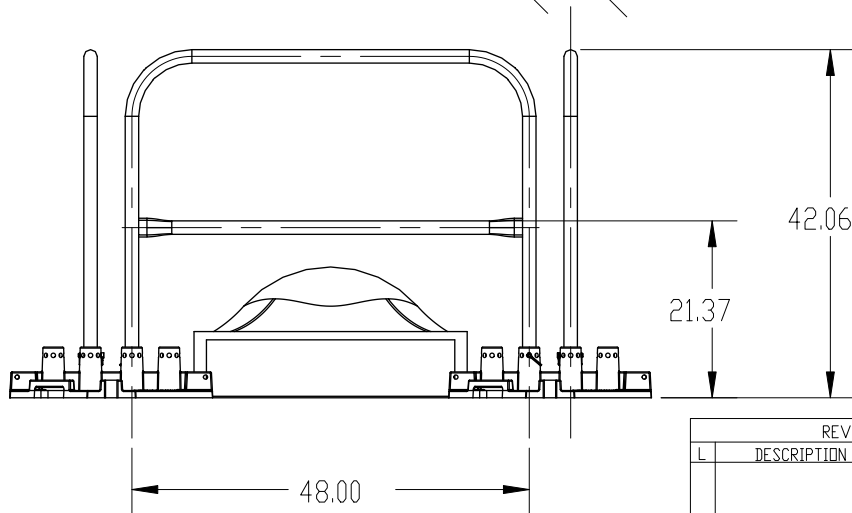
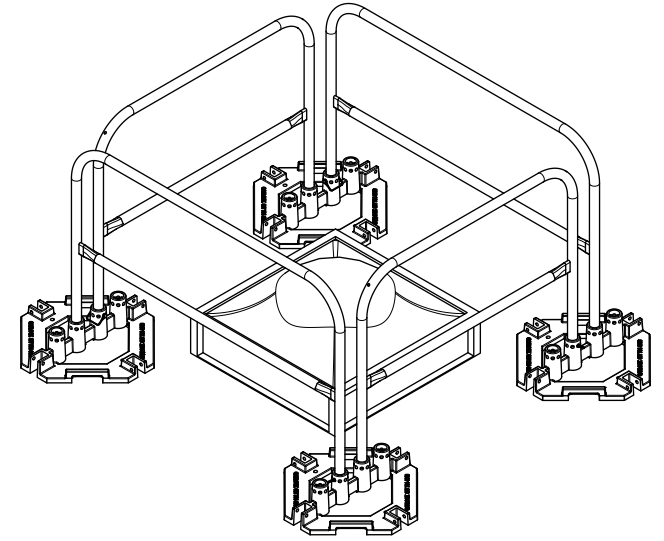
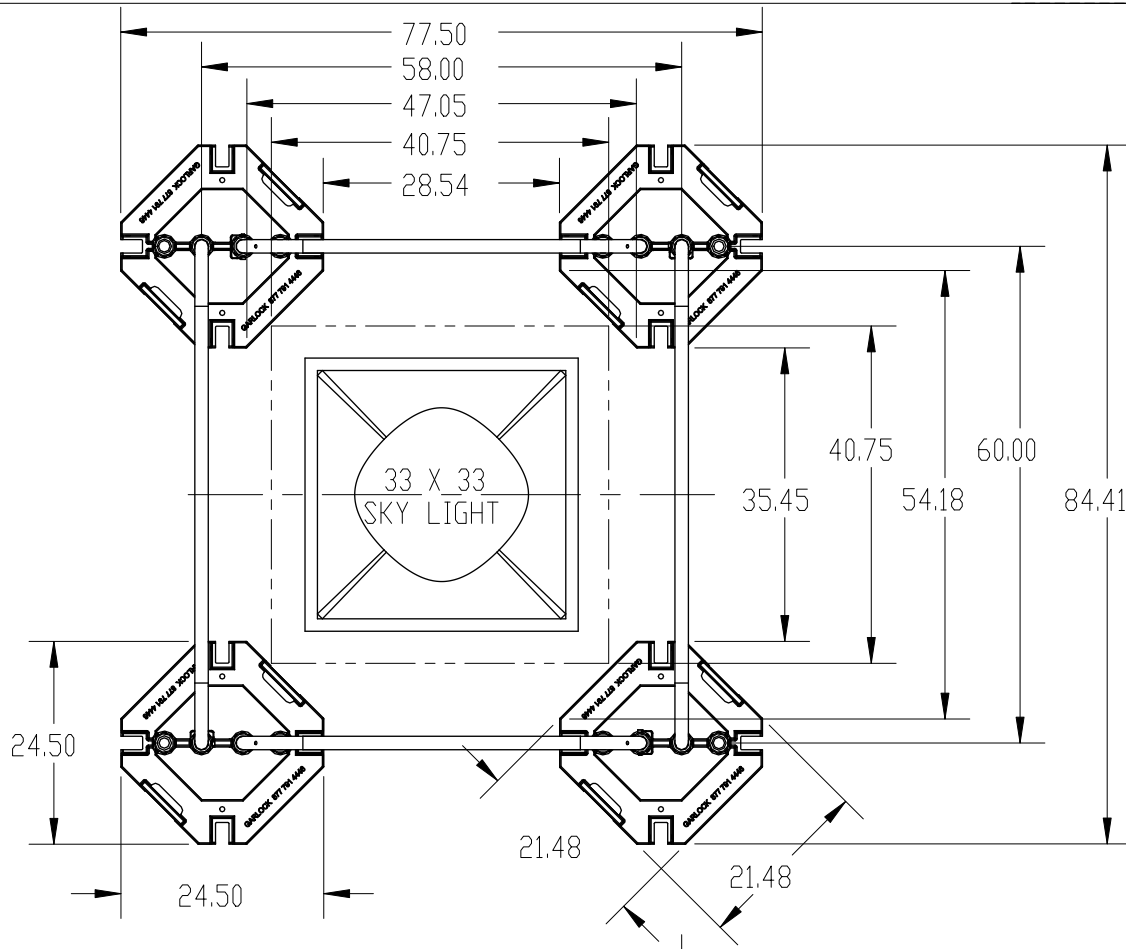


DRG. NO.

48 X 60 SKY LIGHT KIT

REV.



REVISION BLOCK		MAT'L DESC.	FRONT R. SIDE		GARLOCK EQUIPMENT CO.	
L	DESCRIPTION OF REVISION		DATE /#		48 X 60 SKY LIGHT KIT	
				TOLERANCES U.D.S. 0.00 ± 0.03 0.000 ± 0.005 ANGLE ± 0.50 °		SIZE A
		MAT'L NO. PART WGT.		DWN. SCJ	DATE 02/13/13	SCALE 1:24
						DO NOT SCALE DRAWING
						THIS DOCUMENT CONTAINS CONFIDENTIAL PROPRIETARY INFORMATION OF GARLOCK EQUIPMENT CO. AND IS NOT TO BE DISCLOSED TO OTHERS